



**Hansgrohe**  
Technical Information

Select - Hansgrohe's new control concept

**Select your Shower Pleasure:  
The innovative way  
to enjoy water**



**UNIDOMO®**

**Web:** [www.unidomo.de](http://www.unidomo.de)

**Telefon:** 04621- 30 60 89 0

**Mail:** [info@unidomo.com](mailto:info@unidomo.com)

**Öffnungszeiten:** Mo.-Fr. 8:00-17:00 Uhr

**VIESSMANN**

**Buderus**

 **Vaillant**

**WOLF**

 **JUNKERS**  **BOSCH**

 **remeha**

 **DAIKIN**

**ROTEX**

a member of DAIKIN group



-  Individuelle Beratung
-  Kostenloser Versand
-  Hochwertige Produkte

-  Komplettpakete
-  Über 15 Jahre Erfahrung
-  Markenhersteller

## Select: the innovation for even more pleasure in the bathroom

---

As one of the leaders of technology in the sanitaryware industry, Hansgrohe has very high standards. We don't just want our ideas to revolutionise the way we use water; we also want to set new standards in ease of use and control. Creating genuine benefits for the user is the stipulation. Inspired by the many buttons that make the world much easier – a light switch, a mouse button, and the ignition in modern cars to name a few. We at Hansgrohe transferred this idea to showers and mixers. With an elegant button that requires a single click to switch spray types or control the water. The name of this innovative technology: "Select". The intuitive control concept at the touch of a button is something that will promise your customers even greater pleasure in the bathroom – and offers you additional sales arguments.





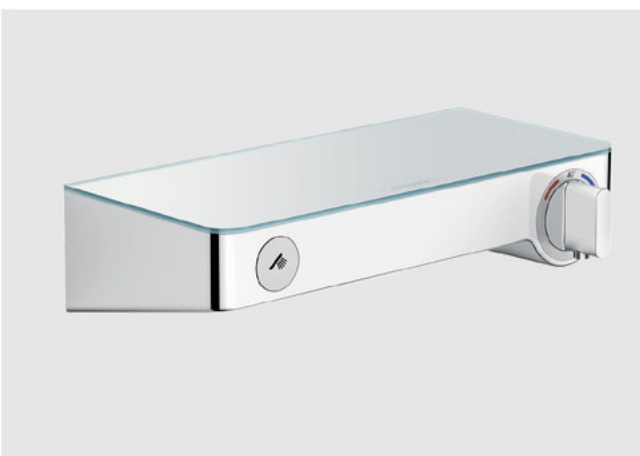
**Hansgrohe Select**  
Select your Shower  
Pleasure



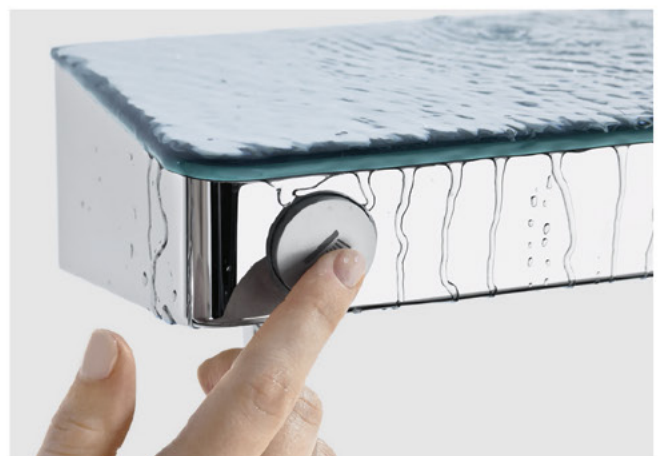
**Raindance® Select E 300 2jet** overhead shower



**Raindance® Select E 120 3jet** hand shower

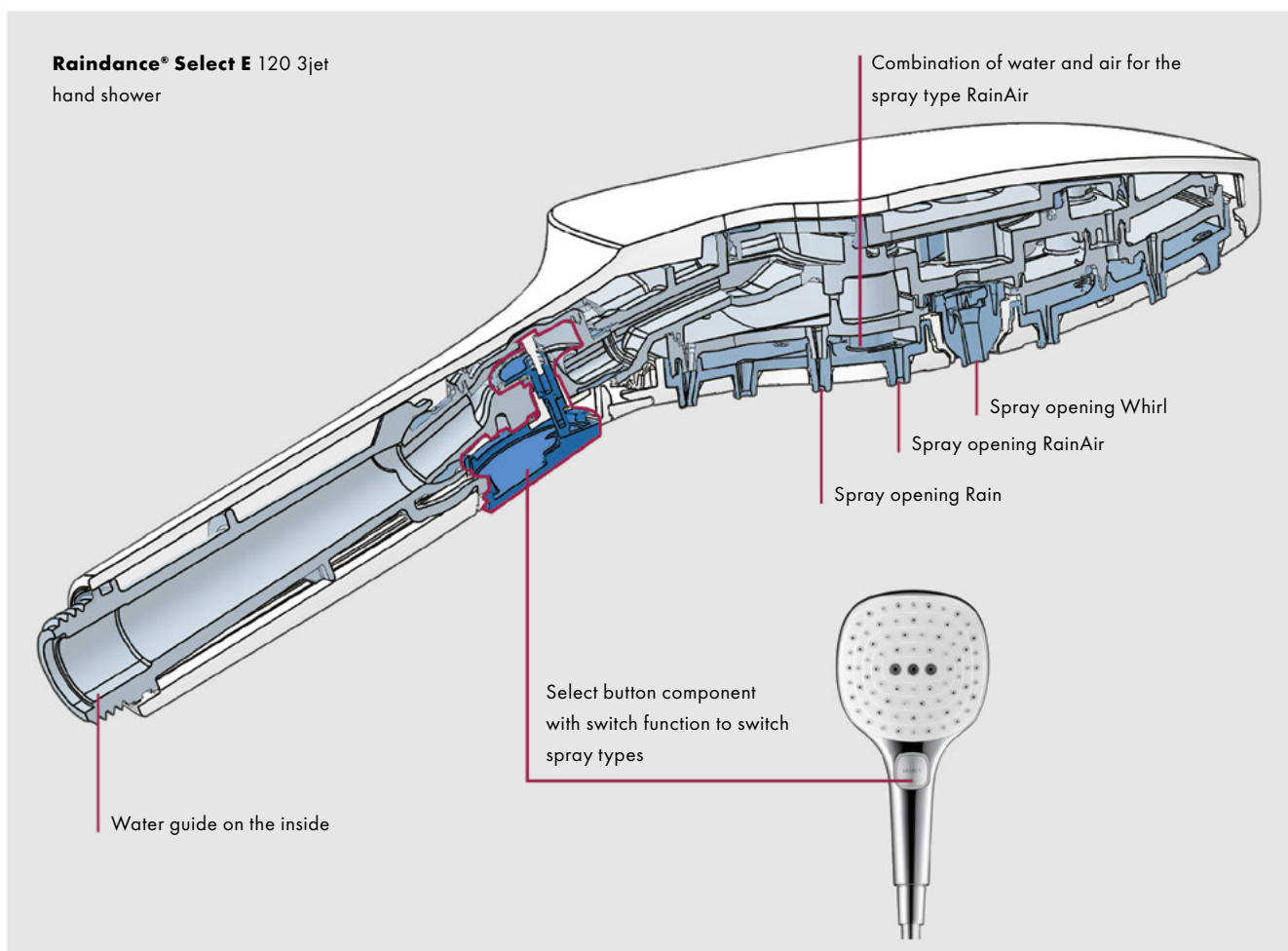


**ShowerTablet® Select 300** shower thermostat



# Select: more pleasure and better sales at the touch of a button

Technology should make life easier and more comfortable, rather than complicate things. With the option of changing the spray at the touch of a single button, Hansgrohe is one of the first names in the industry to consistently implement this intuitive control principle. From hand and overhead showers to thermostats and Showerpipes. Available in several sizes, shapes and finishes. And always with the Select button, which makes changing the spray types or selecting the consumer a pleasure. The technology is purely mechanical, which means it is particularly durable and inexpensive. All these reasons should ensure that selling Select products is also as easy as touching a button.

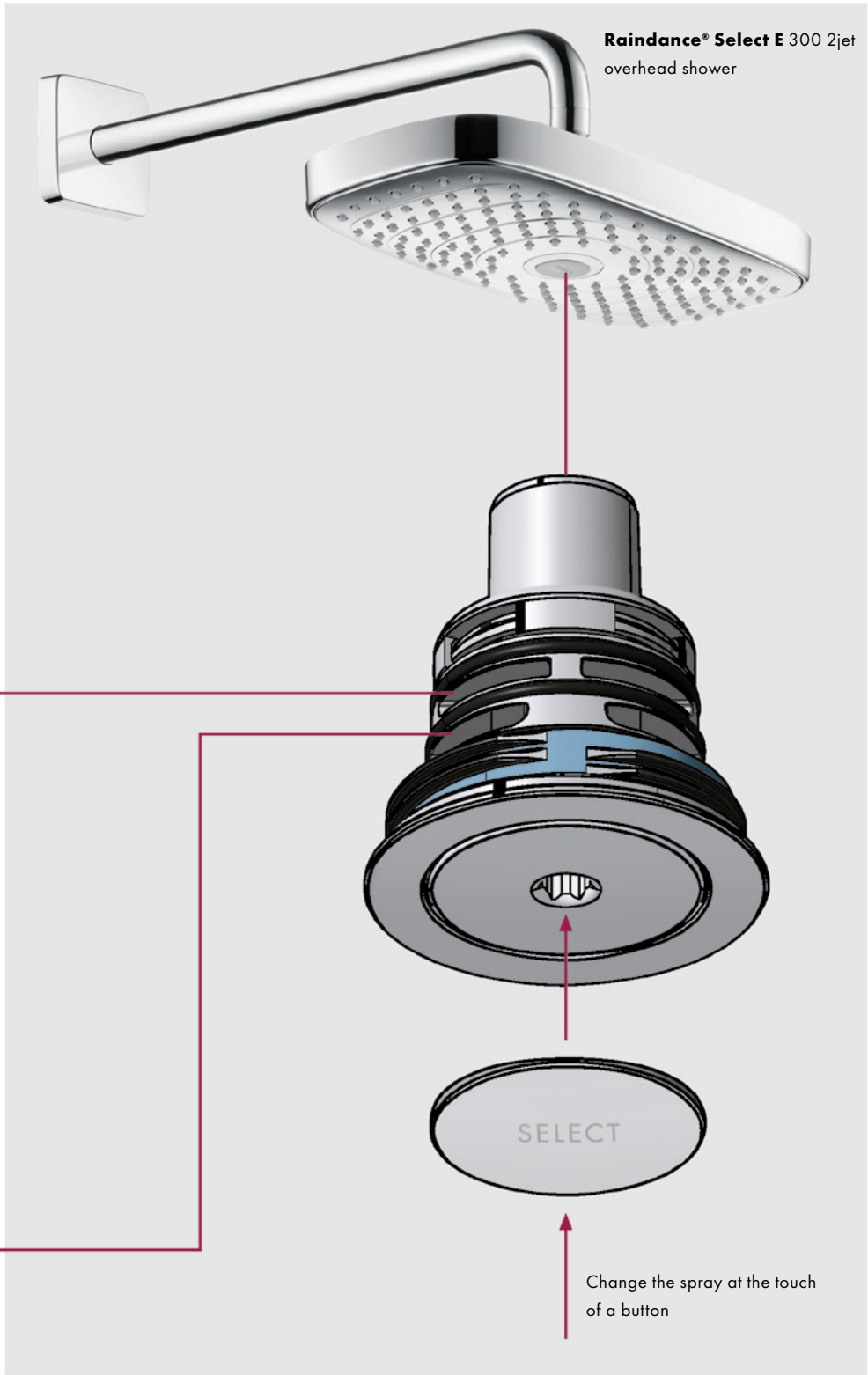


## The direct route to more comfort for hand showers

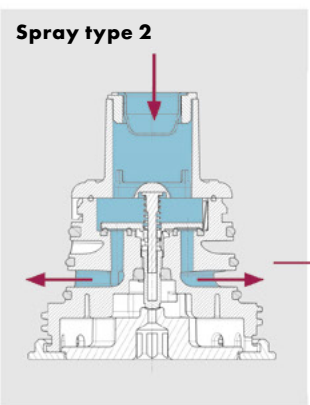
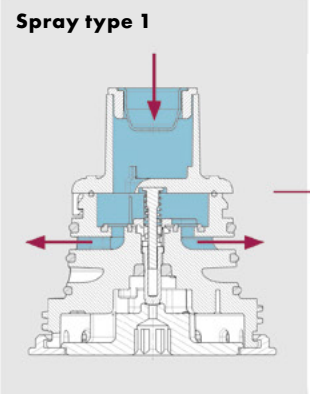
Thanks to the revolutionary construction, the spray can be switched over simply by touching a button. The Select button is positioned on the front of the hand shower. For an easy and intuitive switchover while showering.



**Hansgrohe Select**  
Technology



**Raindance® Select E 300 2jet**  
overhead shower



**The heart of the spray switchover on overhead showers**

The innovative diverter unit is used to switch spray types based on the "Select" principle. A special valve controls the water flow between spray types 1 and 2 - mechanically, at the touch of a button.

# Raindance® Select: The hand shower for any showering need

---

We all have our own particular showering need. Maybe even several. Depending on the time of day and the activity. Whether a quick wake-up shower in the morning, an easy way to rinse shampoo out of our hair, or to relax after sports, now there's a single hand shower for any need. For the first time, Select hand showers combine three perfect spray types: RainAir, Rain and Whirl.



The new Select function makes it easy to scroll through the sprays at the touch of a single button.



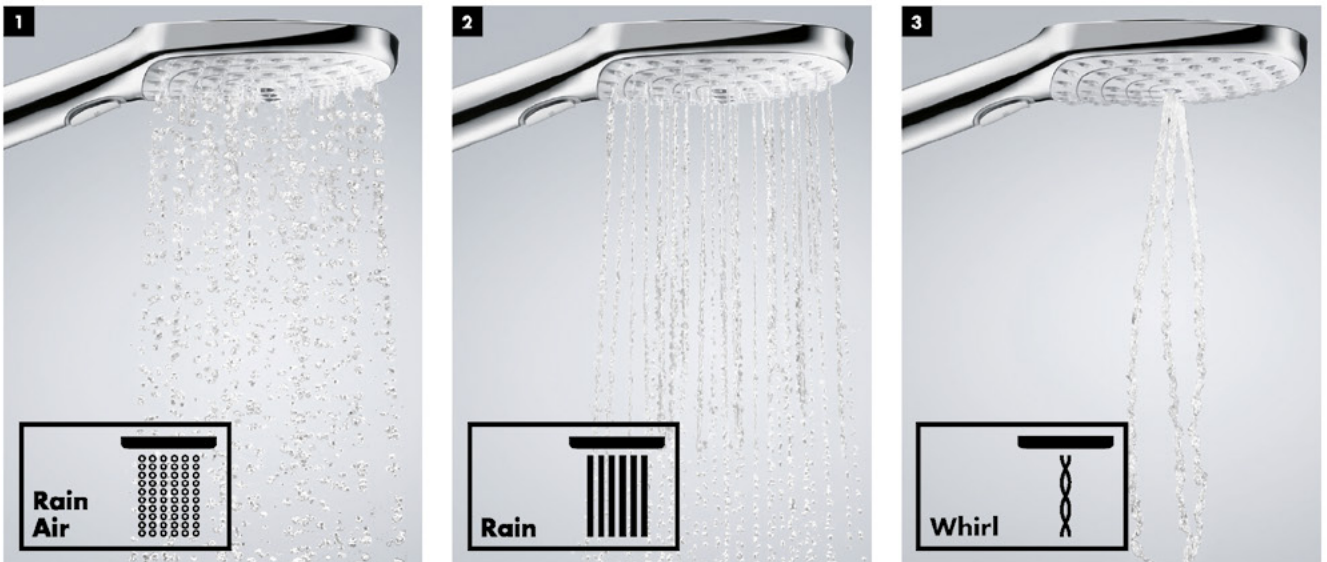
**Raindance® Select E** 120 3jet hand shower



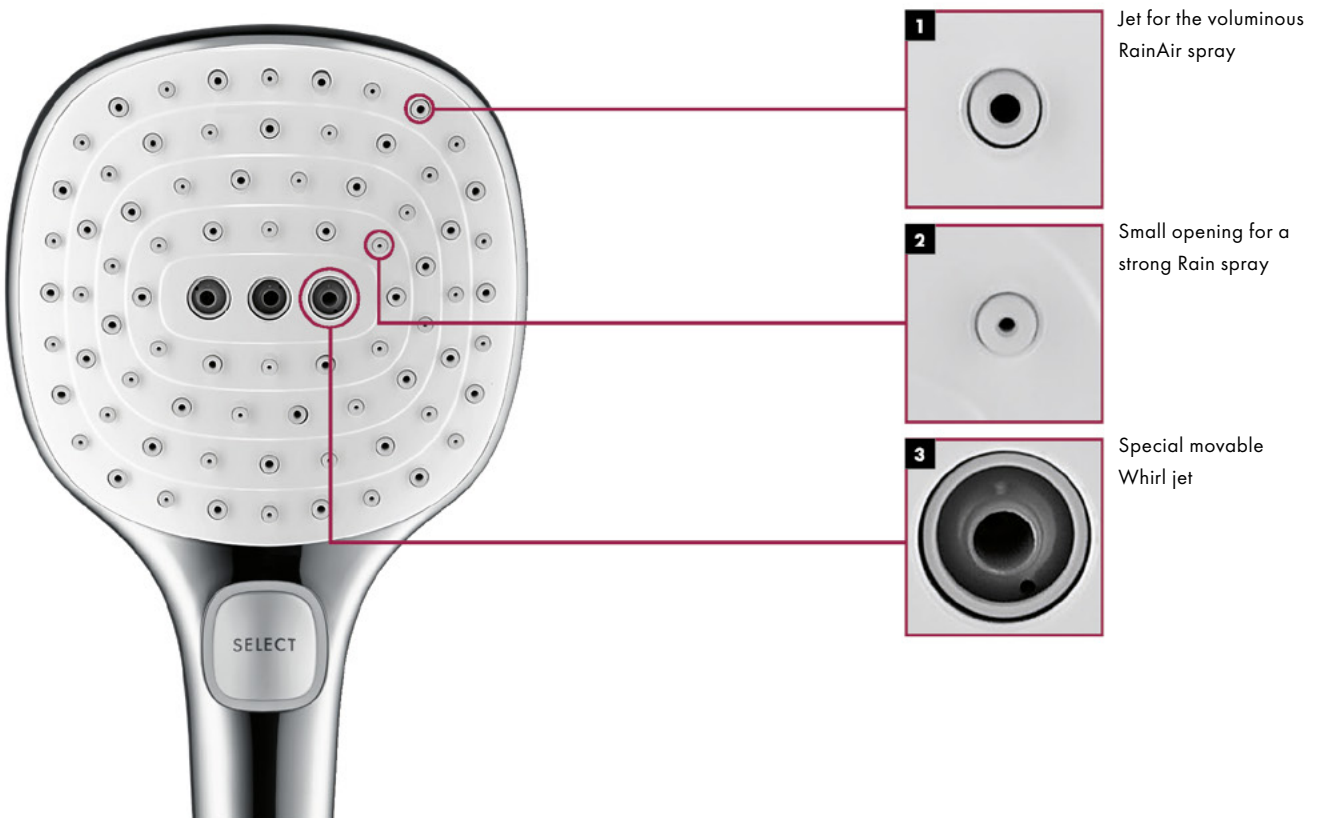
**Raindance® Select S** 120 3jet hand shower



Select your Shower  
Pleasure  
Hand showers



- 1 RainAir:** a gentle, soothing spray with large, soft drops for relaxing
- 2 Rain:** a strong, revitalising spray to refresh and for washing the hair
- 3 Whirl:** a concentrated massaging whirl to relieve tension





# Raindance® Select overhead showers: One button. Two large rain sprays. Lots of pleasure.

All good things come from above. Doubly so, with the new Select overhead showers. They revitalise with a refreshing Rain spray, or soothe and pamper with a soft curtain of RainAir drops. The openings are distributed evenly over the spray face. For complete showering pleasure.



All it takes to switch spray types is a simple touch of the Select button. Positioned within easy reach from below in the middle of the spray face.



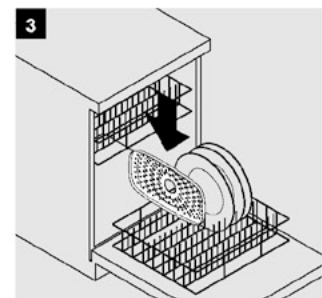
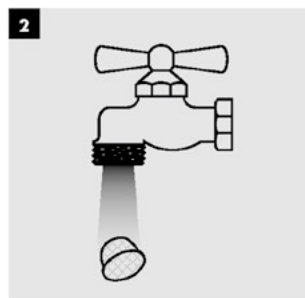
**Raindance® Select S 300 2jet**  
Overhead shower



**Raindance® Select E 300 2jet**  
Overhead shower

**Always impressive:** whether round or a Soft-Cube, chrome or white/chrome, the new Select overhead showers are perfect for any taste. And add more comfort to the bathroom.

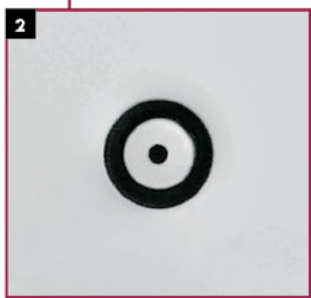
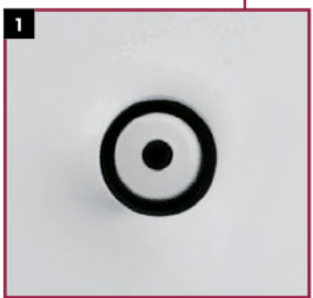
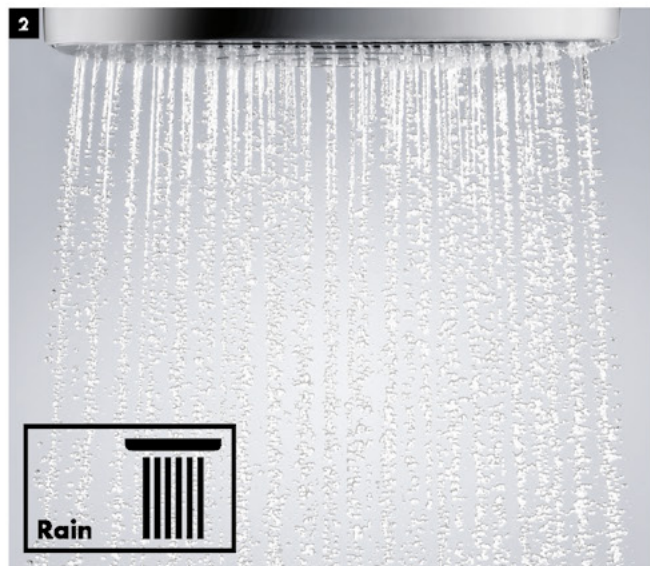
## Easy clean



Just as easy as changing the spray type: cleaning the overhead shower. Thanks to the QuickClean function, limescale deposits are removed simply by rubbing over the silicone nubs. The overhead shower is also easy to dismantle and clean. Simply release the Select cover, unscrew the functional unit and remove the spray face (1). Rinse the functional unit under running water (2). The metal spray face can be cleaned in a bowl with a mild detergent or even put in the dishwasher (3).



**Select your Shower  
Pleasure**  
Overhead showers



**RainAir:**  
This gentle, relaxing spray consists of large, soft drops. The openings are specially designed so the spray can develop fully and optimally.

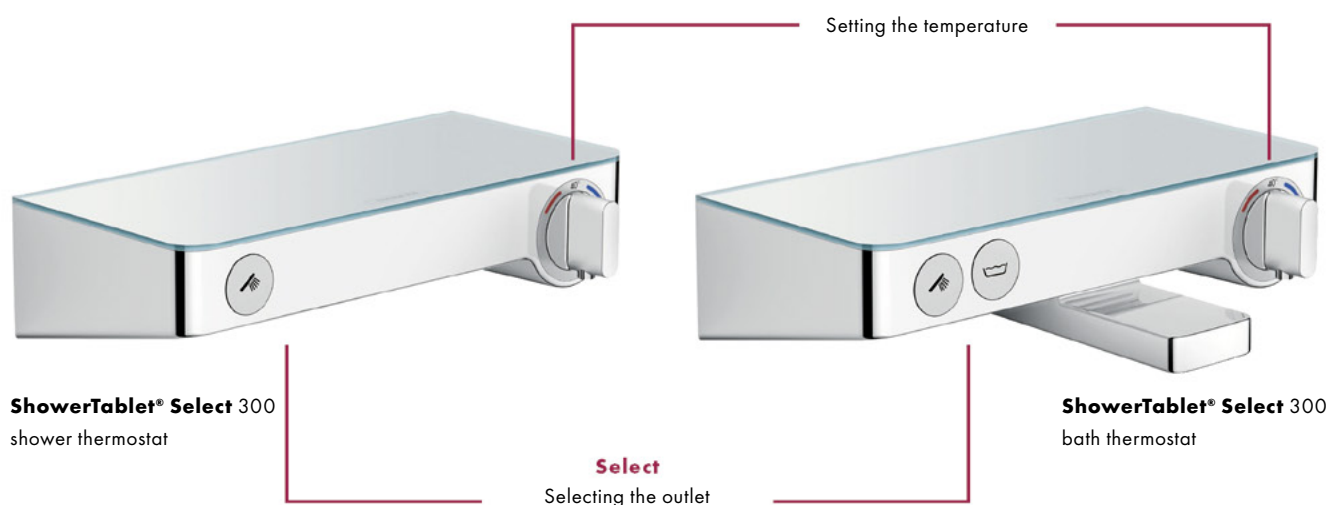
**Rain:**  
A spray that is strong and revitalising, and perfect for washing the hair. Shaped by special, small openings for the right spray intensity.

## ShowerTablet® Select 300: the thermostat that redefines easy use

Thanks to the intuitive technology and numerous advantages, everything on the ShowerTablet Select 300 almost happens by itself:

- A touch of the button is all it takes to select the outlet. Shower version: Switch hand shower on and off. Bath version: Select shower, bath filler or both together.
- The Select elements are all easy to operate from the front. Large print and contrasting colours make it clear.
- The control button is raised when the unit is switched on. This means that it is instantly obvious which outlet is running.
- Large, useful glass ledge. High-quality, resistant to bathroom cleaners, and extremely durable.
- Does not compare visually with a thermostat. Hence the new name "ShowerTablet".

However, the new ShowerTablet is not only easy for your customers to use, but is also quick to install, and easy to maintain from the front. Which will help your installer to save time and labour.



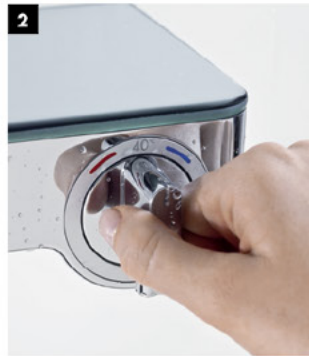


Select your Shower  
Pleasure  
ShowerTablet® Select 300

# How your customers benefit from the ShowerTablet® Select 300



**1. Intuitive:**  
Thanks to the Select button and temperature control, control is intuitive and easy from the front.



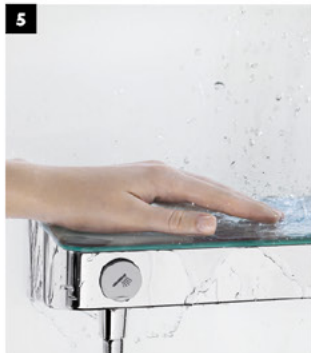
**2. User-friendly:**  
The desired temperature can be set precisely with the user-friendly turning control.



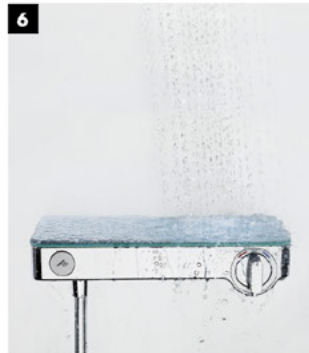
**3. Easy to use:**  
When switched on, the control button is raised – so the active outlet can be easily identified at a glance.



**4. Clear:**  
Easy to understand, abrasion-resistant symbols make control easier.



**5. Safe:**  
The insulated body with rounded corners protects against heat and knocks.



**6. Attractive:**  
The unique design makes the ShowerTablet Select 300 an eye-catcher in the bathroom.



**7. Practical:**  
The level surface is made of glass, and offers plenty of space for toileteries.



**8. Clean:**  
The housing is sealed to keep dirt out, and the smooth surface is easy to clean.

# Raindance® Select Showerpipe: The highest form of showering pleasure

Anyone who opts for a Raindance Select Showerpipe will be able to enjoy the utmost in comfort and pleasure. That's because it combines all Hansgrohe's innovations and latest technology in a single system. The unique design is enough to make anyone want a shower. And the consistent, intuitive control concept even more so. Overhead shower, hand shower and thermostat, everything is simply controlled at the touch of a button.

Something else customers love: it only takes moments to install the Showerpipe in the shower or bath. It is easy to attach to existing wall connections, which also makes it the perfect solution for straight forward bathroom refurbishments.

## Wellness feeling for the home: overhead shower with the new RainStream

As well as Rain and RainAir, the Raindance Select E 300 3jet overhead shower has a third spray type: the new soft RainStream. RainStream consists of twelve parallel single sprays. Optimised in the Hansgrohe spray laboratory until the spray ran parallel onto the floor - without interruption. The result: the same fascinating shower effect at any installation height and for any physical build.

And installation is as easy as the showering experience is enjoyable: the Raindance Select E 300 3jet is simply placed on the iBox universal. With very little effort, you can offer your customers a fascinating spa feeling they can enjoy at home. The new three-spray overhead shower is also integrated in the Showerpipe Raindance Select E 300 3jet.



**Raindance® Select E 300 3jet**  
overhead shower





**Hansgrohe Select**  
 Raindance® Select E 300 3jet  
 Showerpipe



**Select**

Selection spray types

RainAir

Rain



**Select**

Selection spray types

RainAir

Rain

Whirl

Adjusting the temperature



**Select**

Selection hand shower

**Select**

Selection overhead shower

**Select**

Selection overhead shower

Spray type

RainStream

**Raindance® Select E 300 3jet**  
 Showerpipe

## Select: The intuitive control system that offers lots of benefits

---

Whether a hand or overhead shower, ShowerTablet or Showerpipe, the new Select technology and its many benefits inspires delight at the touch of a button. Whichever system you choose, the simple principle will revolutionise your showering experience.

### **The benefits for you as a specialist**

- Innovative control concept at the touch of a button that delights customers
- Leading-edge products with unique technology that confirms your competence as a specialist
- Meets and exceeds the expectations of a broad target group and thereby opens up new opportunities
- Contemporary design to complement all modern bathrooms.
- A wide range of shapes and finishes: the right choice for any taste

### **Benefits for your customers**

- Intuitive control at the touch of a button: switch spray types or select an outlet with a simple click
- The function is easy to achieve and to use
- Attractive design for a lovely bathroom
- A wide range of multifunctional products for an individual showering experience
- Consistent control philosophy for the hand and overhead shower, Showerpipe and thermostat



**Hansgrohe Select**  
Product overview  
Advantages



**Raindance® Select E 300 3jet**  
overhead shower



**Raindance® Select S 120 3jet**  
hand shower



**Raindance® Select E 300 3jet**  
Showerpipe



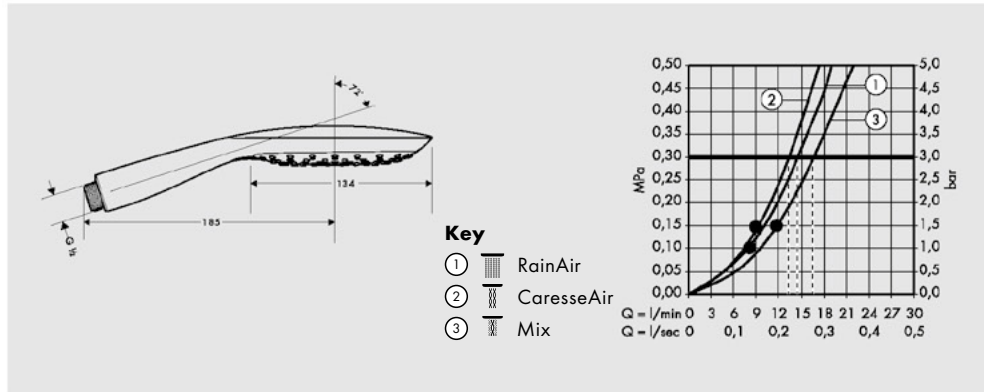
**ShowerTablet® Select 300**  
shower thermostat



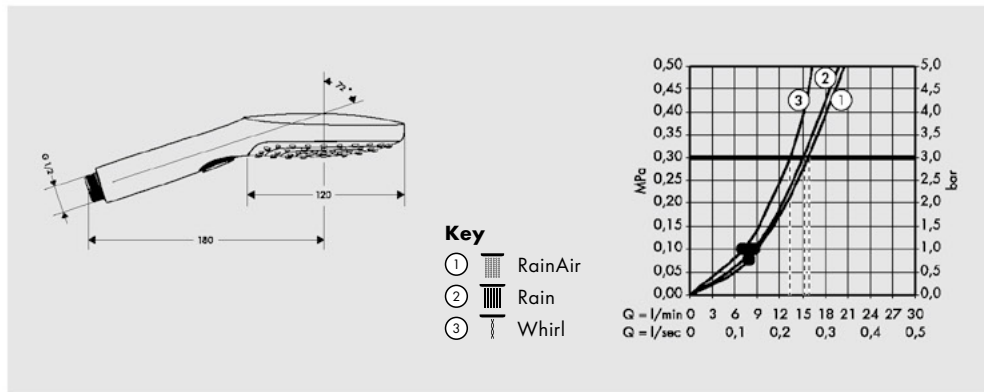
# Product overview hand showers



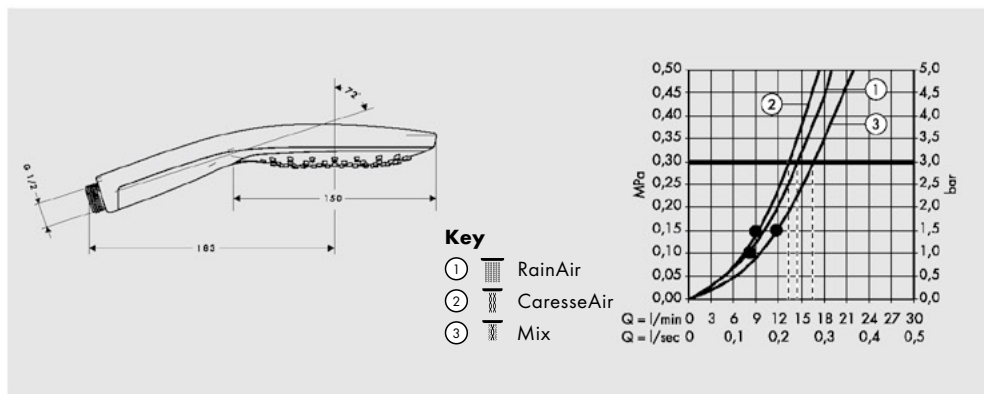
**Raindance® Select E 150 3jet**  
hand shower  
# 26550,-000,-400  
EcoSmart # 26551,-000,-400



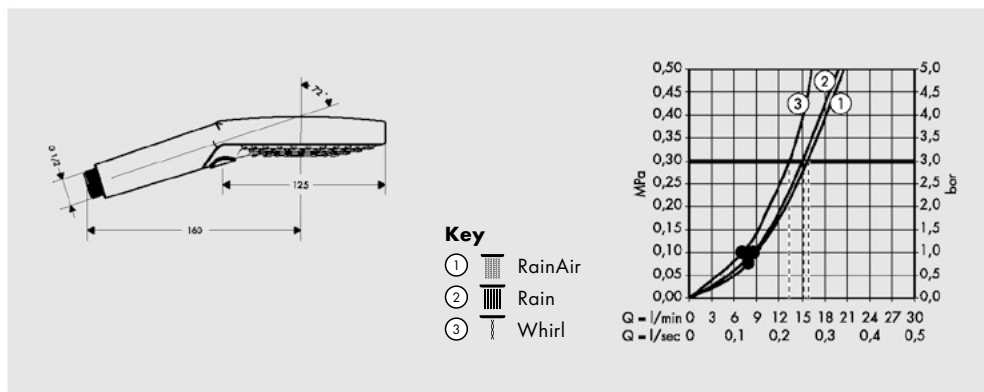
**Raindance® Select E 120 3jet**  
hand shower  
# 26520,-000,-400  
EcoSmart # 26521,-000,-400



**Raindance® Select S 150 3jet**  
hand shower  
# 28587,-000,-400  
EcoSmart # 28588,-000,-400



**Raindance® Select S 120 3jet**  
hand shower  
# 26530,-000,-400  
EcoSmart # 26531,-000,-400



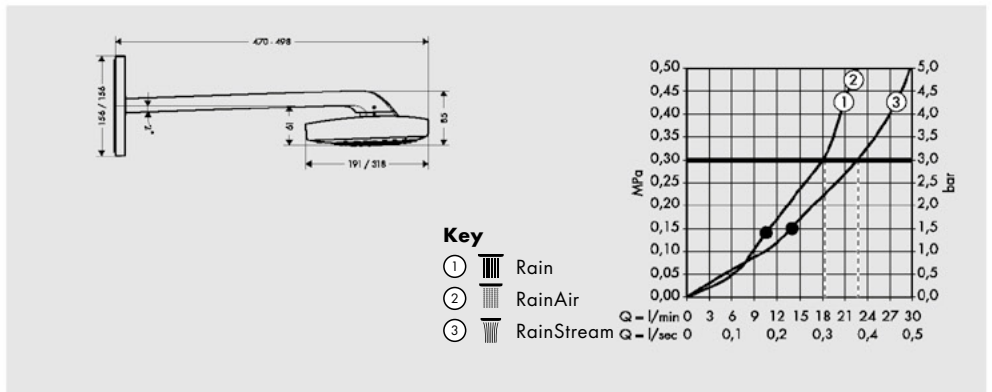


**Hansgrohe Select**  
Product overview hand/  
overhead showers

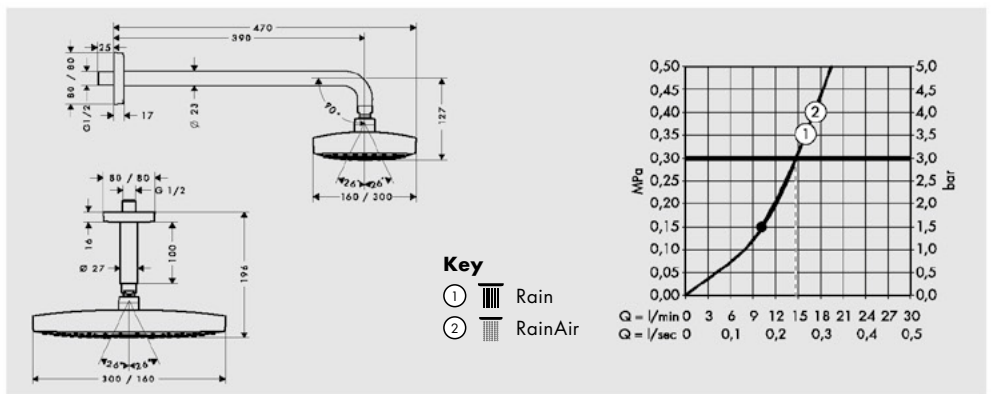
# Product overview overhead showers



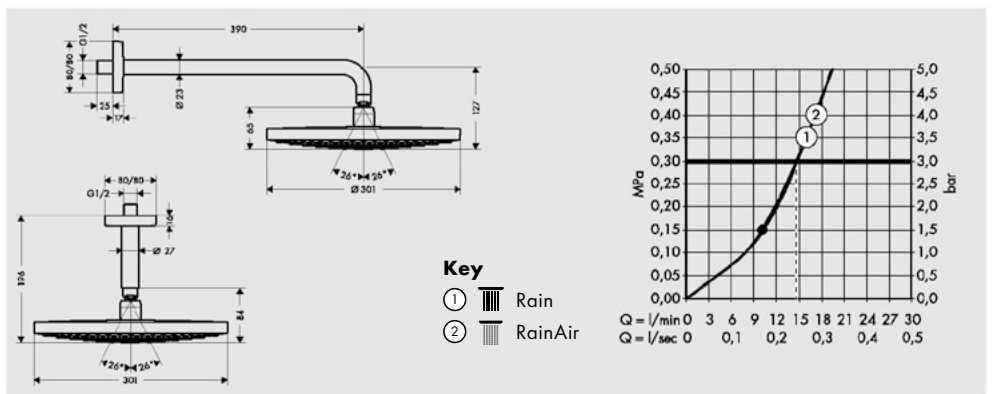
**Raindance® Select E 300 3jet**  
overhead shower with shower arm,  
390 mm # 26468,-000,-400



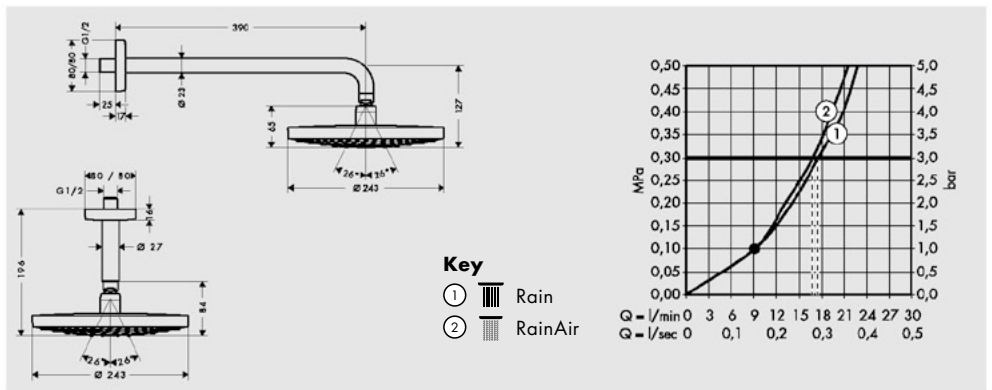
**Raindance® Select E 300 2jet**  
overhead shower with ceiling  
connection, 100 mm  
# 27384,-000,-400  
**Raindance® Select E 300 2jet**  
overhead shower with shower arm,  
390 mm # 27385,-000,-400



**Raindance® Select S 300 2jet**  
overhead shower with ceiling  
connection, 100 mm  
# 27337,-000,-400  
**Raindance® Select S 300 2jet**  
overhead shower with shower arm,  
390 mm # 27378,-000,-400



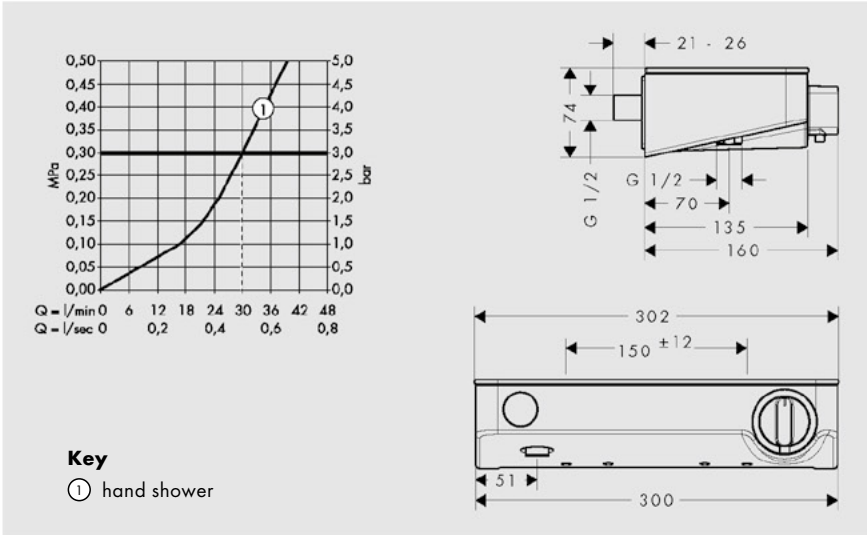
**Raindance® Select S 240 2jet**  
overhead shower with ceiling  
connection, 100 mm  
# 26467,-000,-400  
**Raindance® Select S 240 2jet**  
overhead shower with shower arm,  
390 mm # 26466,-000,-400



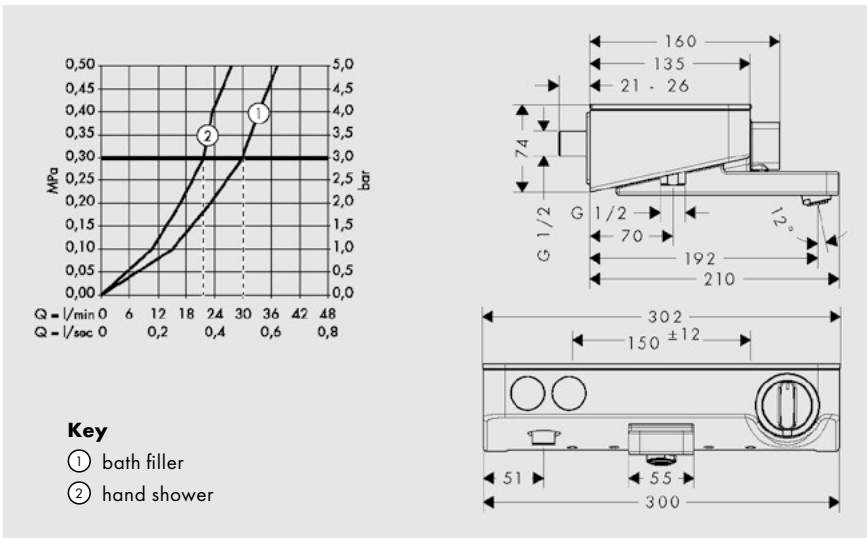
# Product overview thermostats



**ShowerTablet® Select 300 Shower**  
 Mirrored chrome shelf # 13171,-000  
 White shelf # 13171,-400



**ShowerTablet® Select 300 Bath**  
 Mirrored chrome shelf # 13151,-000  
 White shelf # 13151,-400



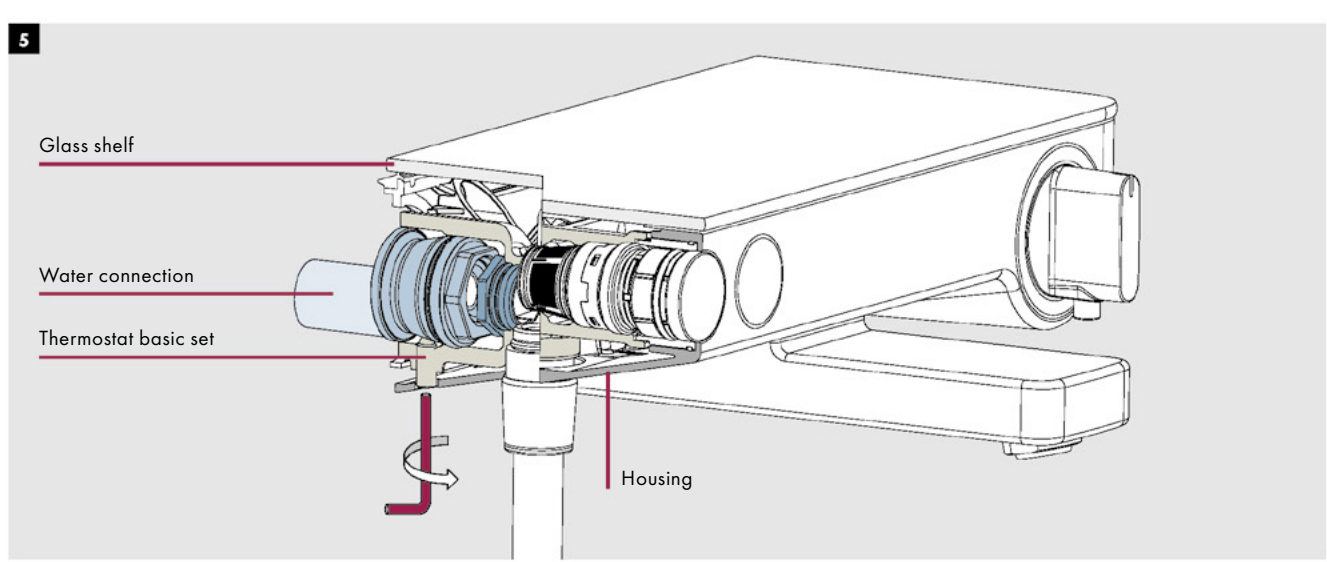
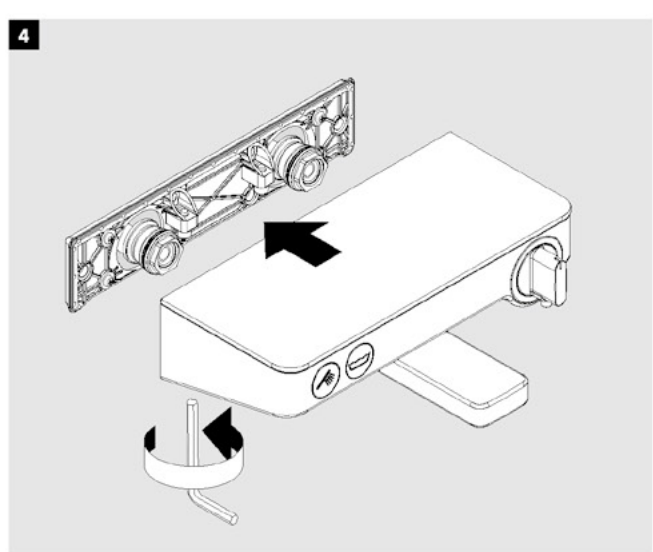
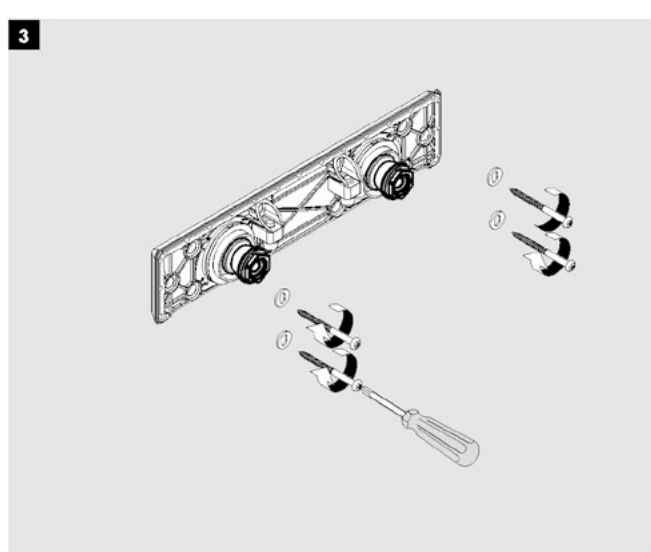
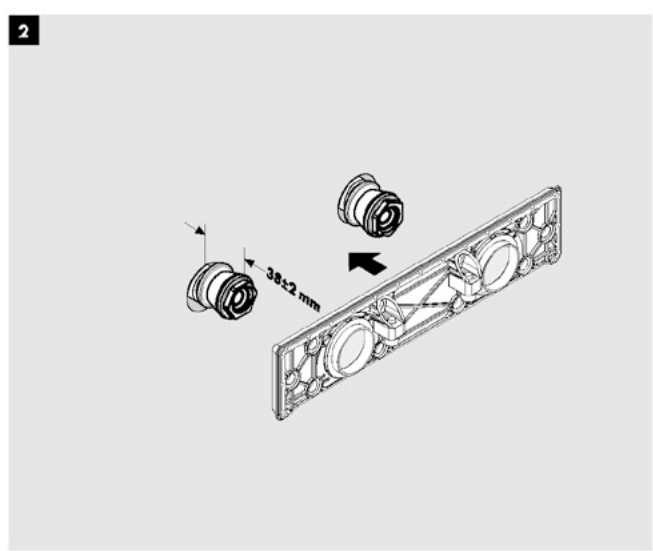
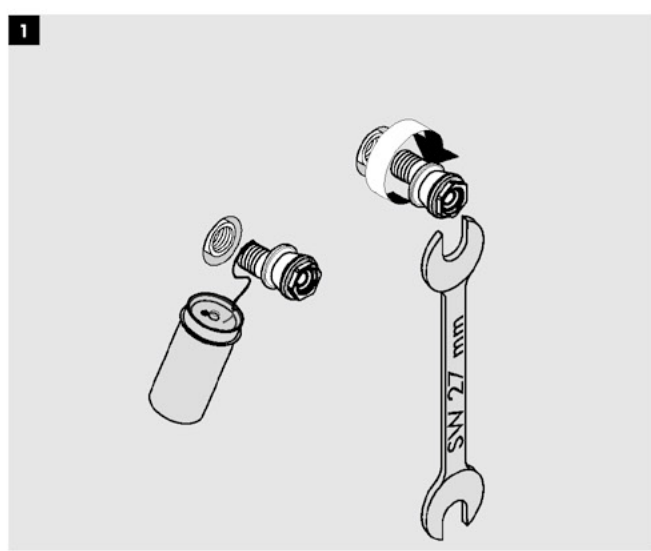
## As a specialist, you will find that the ShowerTablet® Select 300 makes life easier for you:

- Simple plug connection that is safe, easy and saves time
- No risk of scratching the housing because screws go through the bottom of it
- Maintenance-friendly access to cartridge, filters and non-return valves
- Proven thermostat cartridge for easy, reliable use



**Hansgrohe Select**  
Product overview  
thermostats

# Installation information



# Product overview shower sets



**Raindance® Select E 150/**  
Unica®/S Puro Set  
90 cm # 27857,-000,-400  
65 cm # 27856,-000,-400  
(not shown)



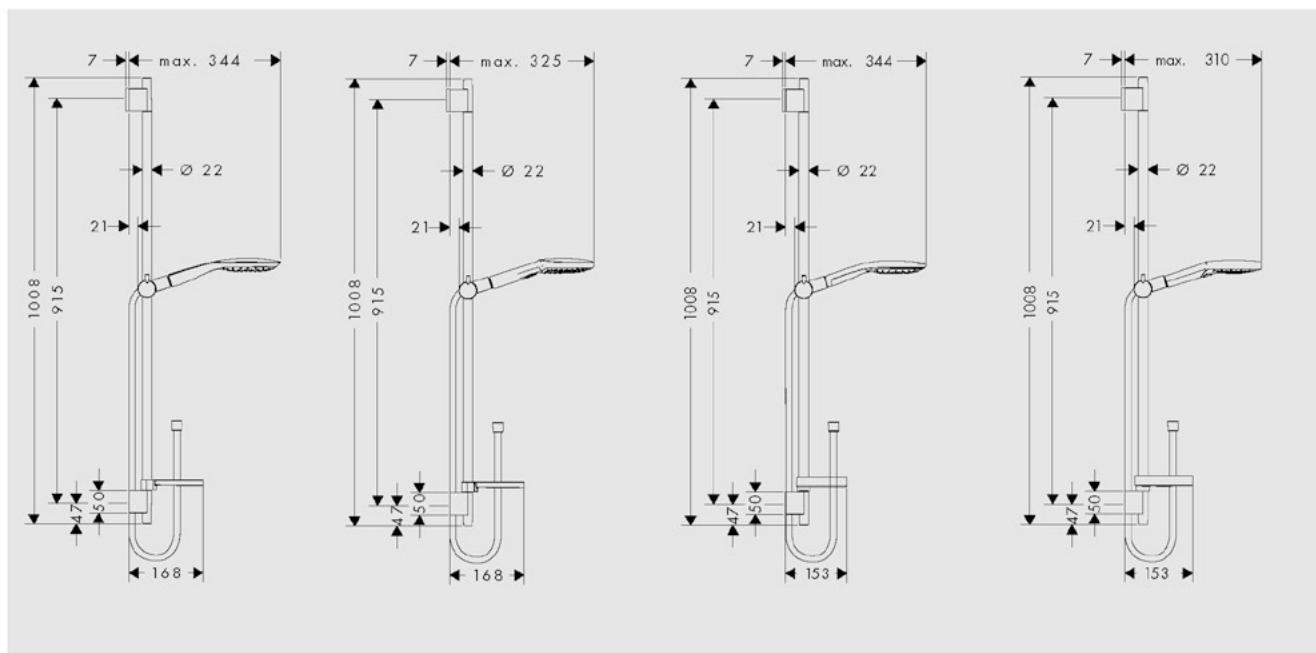
**Raindance® Select E 120/**  
Unica®/S Puro Set  
90 cm # 26621,-000,-400  
65 cm # 26620,-000,-400  
(not shown)  
EcoSmart, 90 cm  
# 26623,-000,-400 (not shown)  
EcoSmart, 65 cm  
# 26622,-000,-400 (not shown)



**Raindance® Select S 150/**  
Unica®/S Puro Set  
90 cm # 27803,-000,-400  
65 cm # 27802,-000,-400  
(not shown)



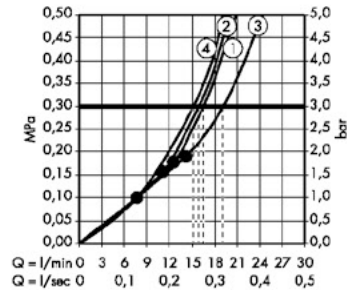
**Raindance® Select S 120/**  
Unica®/S Puro Set  
90 cm # 26631,-000,-400  
65 cm # 26630,-000,-400  
(not shown)  
EcoSmart, 90 cm  
# 26633,-000,-400 (not shown)  
EcoSmart, 65 cm  
# 26632,-000,-400 (not shown)



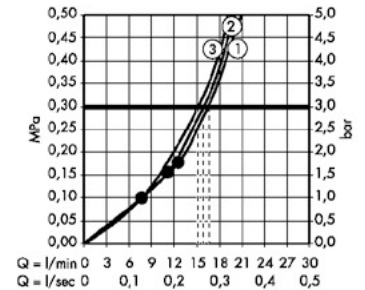


**Hansgrohe Select**  
Product overview  
Shower sets/Showerpipes

# Product overview Showerpipes



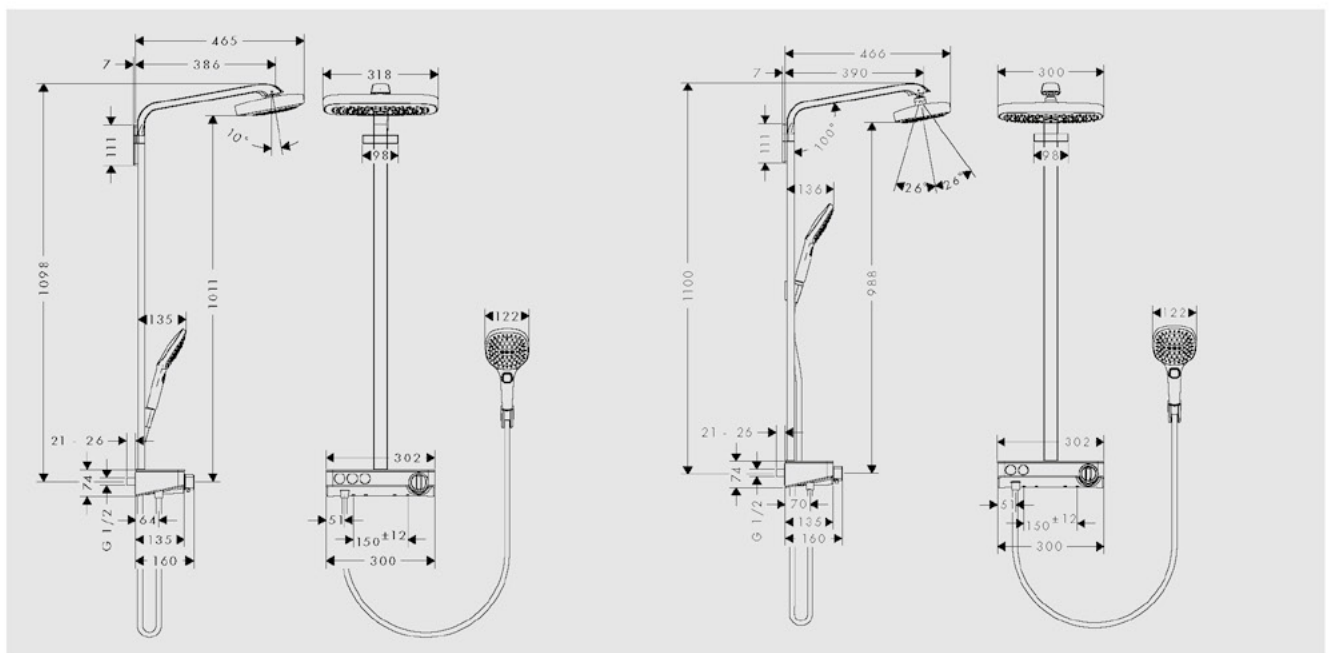
- Key**
- ① overhead shower Rain
  - ② overhead shower RainAir
  - ③ overhead shower RainStream
  - ④ hand shower



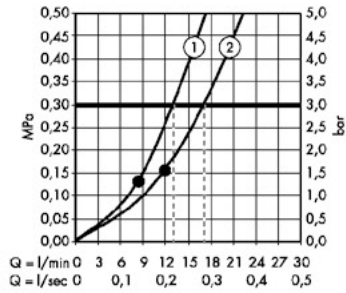
- Key**
- ① overhead shower Rain
  - ② overhead shower RainAir
  - ③ hand shower

**Raindance® Select E 300 3jet Showerpipe** with Raindance Select E 300 3jet overhead shower, Raindance Select E 120 3jet hand shower and ShowerTablet Select 300 thermostat, shower arm 380 mm # 27127,-000,-400

**Raindance® Select E 300 2jet Showerpipe** with Raindance Select E 300 2jet overhead shower, Raindance Select E 120 3jet hand shower and ShowerTablet Select 300 thermostat, shower arm 380 mm # 27126,-000,-400



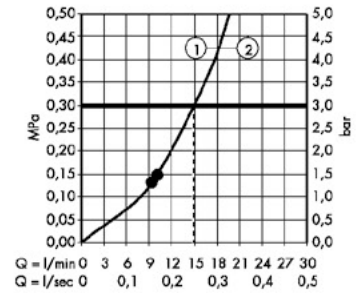
# Product overview Showerpipes



**Key**

- ① hand shower
- ② overhead shower

**Raindance® Select E 300 2jet Showerpipe** with Raindance Select E 300 2jet overhead shower, Raindance Select E 120 3jet hand shower and Ecostat Select thermostat, shower arm 380 mm # 27128,-000,-400

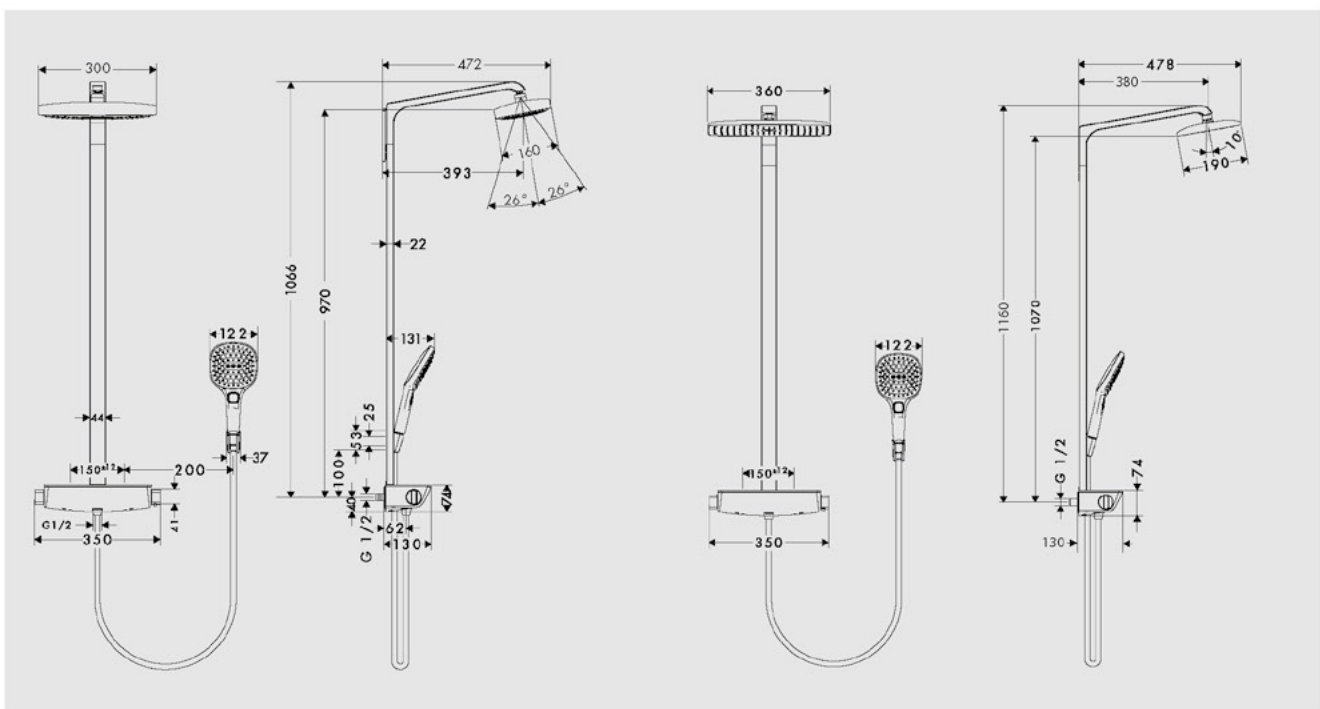


**Key**

- ① hand shower
- ② overhead shower

**Raindance® Select E 360 Showerpipe** with Raindance E 360 1jet overhead shower, Raindance Select E 120 3jet hand shower and Ecostat Select thermostat, shower arm 380 mm # 27112,-000,-400

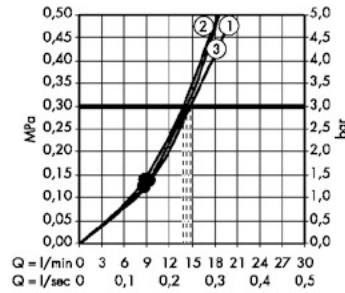
**Raindance® Select E 360 Showerpipe Bath** (not shown) # 27113,-000,-400



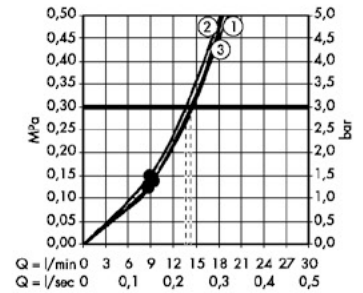


**Hansgrohe Select**

Product overview  
Showerpipes



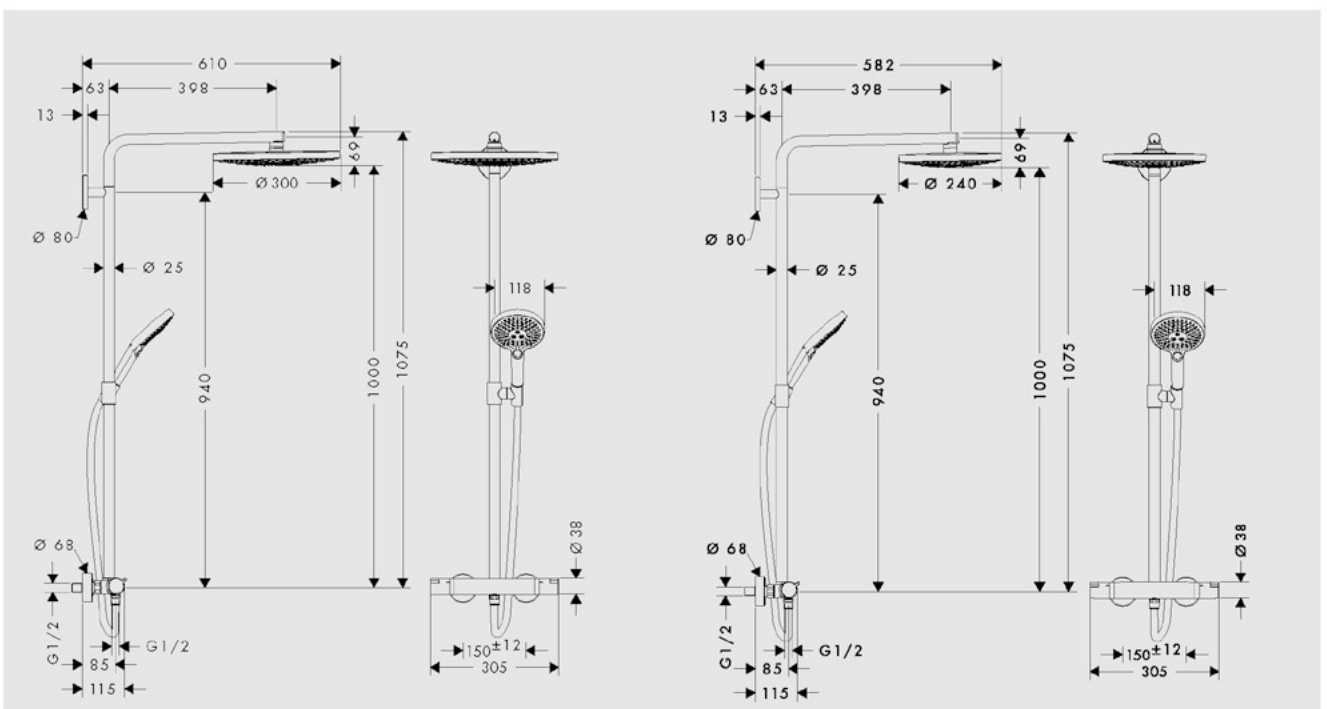
- Key**
- ① overhead shower Rain
  - ② overhead shower RainAir
  - ③ hand shower



- Key**
- ① overhead shower Rain
  - ② overhead shower RainAir
  - ③ hand shower

**Raindance® Select S 300** 2jet Showerpipe with Raindance Select S 300 2jet overhead shower, Raindance Select S 120 3jet hand shower and Ecostat Comfort thermostat, shower arm 450 mm # 27133,-000,-400

**Raindance® Select S 240** 2jet Showerpipe with Raindance Select S 240 2jet overhead shower, Raindance Select S 120 3jet hand shower and Ecostat Comfort thermostat, shower arm 450 mm # 27129,-000,-400







We did our utmost to ensure that the printing of this brochure was friendly to the environment. You too can contribute to the protection of our environment by passing on the brochure to others when you've finished reading it, or by recycling it.



**Find out more on our website:  
[pro.hansgrohe-int.com](http://pro.hansgrohe-int.com)**

**Headquarters** – Hansgrohe SE · P.O. Box 1145 · D-77757 Schiltach · Tel. +49 7836 51-0  
 Fax +49 7836 51-1300 · [info@hansgrohe.com](mailto:info@hansgrohe.com) · [www.hansgrohe-int.com](http://www.hansgrohe-int.com)

**Australia** – Hansgrohe Pty Ltd · Level 1 · 123 Camberwell Rd · East Hawthorn · Victoria 3123  
 Tel. +61 3 9811 9971 · [info@hansgrohe.com.au](mailto:info@hansgrohe.com.au) · [www.hansgrohe.com.au](http://www.hansgrohe.com.au)

**Argentina** – Hansgrohe S.A. · Av. del Libertador 14.323 · Martínez · B1640APB · Buenos Aires  
 Tel. +54 11 4733 2400 · Fax +54 11 4733 2499 · [info@hansgrohe.com.ar](mailto:info@hansgrohe.com.ar) · [www.hansgrohe.com.ar](http://www.hansgrohe.com.ar)

**Estonia** – Hansgrohe Eesti · Karukella tee 2 · EE-76403 · Alliku küla Saue vald · Harjumaa  
 Tel. +37253329055 · Fax +37256000055 · [info@hansgrohe.ee](mailto:info@hansgrohe.ee) · [www.hansgrohe.ee](http://www.hansgrohe.ee)

**India** – Hansgrohe India (pvt.) Ltd. · Office Nos. 601 – 604 · Sky Station · Viman Nagar · 411 016 Pune · Maharashtra  
 Tel. +91 20 6625 9595 · [info@hansgrohe.in](mailto:info@hansgrohe.in)

**Kazakhstan** – Hansgrohe · г.Алматы · Бостандыкский район · «Микрорайон КЕРЕМЕТ» · дом № 1, часть АЗ  
 телефон +7 701 7614041 · [info@hansgrohe.kz](mailto:info@hansgrohe.kz) · [www.hansgrohe.kz](http://www.hansgrohe.kz)

**Latvia** – SIA Aqua Studio · Raiņa iela 14 · LV-3913 · Iecava  
 Tel. +371 29 229029 · Fax +371 3 942251 · [info@hansgrohe.lv](mailto:info@hansgrohe.lv) · [www.hansgrohe.lv](http://www.hansgrohe.lv)

**Lithuania** – Santoza · Ulonų g. 5 · LT-08240 Vilnius · Tel. +370 5 2043291  
 Fax +370 5 2043293 · [info@hansgrohe.lt](mailto:info@hansgrohe.lt) · [www.hansgrohe.lt](http://www.hansgrohe.lt)

**Mexico** – Hansgrohe · Col. Lomas de Santa Fe · 01210 México, D.F. · Tel. +52 55 5261-4191 · Fax +52 55 5261-4199  
[info@hansgrohe.com.mx](mailto:info@hansgrohe.com.mx) · [www.hansgrohe.com.mx](http://www.hansgrohe.com.mx)

**Panama** – Hansgrohe SE · Regional Office for Central America & the Caribbean · Obarrio · Panama City  
[marketing.cca@hansgrohe.com](mailto:marketing.cca@hansgrohe.com) · [www.pro.hansgrohe-la.com](http://www.pro.hansgrohe-la.com)

**Singapore** – Hansgrohe Pte. Ltd. · 69 Mohamed Sultan Road · Singapore 239015  
 Tel. +65 6884 5060 · Fax +65 6884 5070 · [info@hansgrohe.com.sg](mailto:info@hansgrohe.com.sg) · [www.hansgrohe.com.sg](http://www.hansgrohe.com.sg)

**South Africa** – Hansgrohe South Africa (Pty) Ltd. · P.O. Box 2912 · 136 Walton Road · Carlswald Midrand · ZA-1685 Halfway House  
 Tel. +27 11 468 11-50 · Fax +27 11 468 11-52 · [sales@hansgrohe.co.za](mailto:sales@hansgrohe.co.za) · [www.hansgrohe.co.za](http://www.hansgrohe.co.za)

