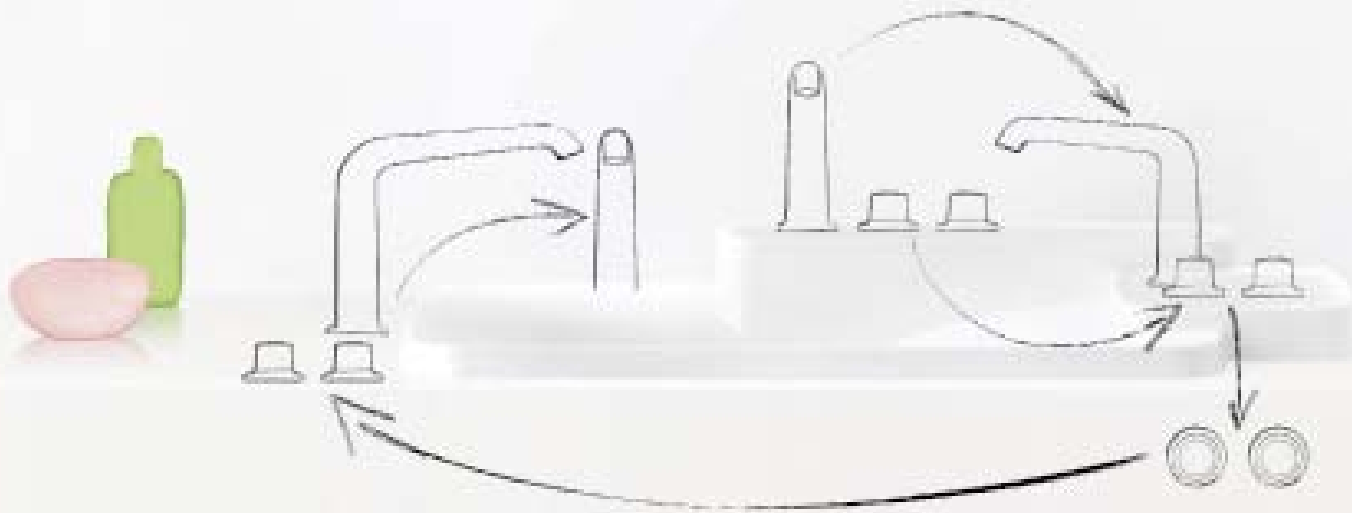


# Axor Bouroullec

Information and Inspiration for Professionals



**AXOR**<sup>®</sup>  
hansgrohe



**UNIDOMO®**

**Web:** [www.unidomo.de](http://www.unidomo.de)

**Telefon:** 04621- 30 60 89 0

**Mail:** [info@unidomo.com](mailto:info@unidomo.com)

**Öffnungszeiten:** Mo.-Fr. 8:00-17:00 Uhr

**VIESMANN**

**Buderus**

 **Vaillant**

**WOLF**

 **JUNKERS**  **BOSCH**

 **remeha**

 **DAIKIN**

**ROTEX**

a member of DAIKIN group



-  Individuelle Beratung
-  Kostenloser Versand
-  Hochwertige Produkte

-  Komplettpakete
-  Über 15 Jahre Erfahrung
-  Markenhersteller

# Feel Free To Compose

## CONTENT

- 04 The collection
- 08 The concept
- 14 Planning and implementation
- 28 Bathroom inspirations
- 39 Product overview

## **Axor Bouroullec – for highly customised bathroom solutions**

The Axor Bouroullec collection offers you an entirely new way of tailoring a bathroom to the personal needs of your customer. French designers Ronan and Erwan Bouroullec leave it up to the individual to envision a use for their design objects. With this highly visionary approach, they tap into the spirit of our times.

The collection is designed to be so flexible that all of the individual elements can easily be combined. This gives you even more freedom to create a very personalised bathroom scenario together with your customer. The result is a bathroom that is tailored to your customer's needs, tastes and living space like never before.

We will present the concept of the collection and explain in detail how this concept can be put into practice from a planning and a technical perspective. We also provide inspirations for the creation of an Axor Bouroullec bathroom and give you tips on how to benefit from the new possibilities offered by the collection.

The product overview presents the collection's more than seventy individual products, including the corresponding scale drawings.



02  
03



### **Ronan & Erwan Bouroullec**

- Born in 1971 and 1976 in Quimper, France
- Joint studio in Paris since 1999
- Assignments for companies like Vitra, Kvadrat, Cappellini, Ligne Roset, Kartell
- Exhibitions of their work in international design museums such as the MOMA in New York
- Their philosophy: the products should adapt to the user – not the other way round.

## THE COLLECTION

### VARIETY AND DESIGN

In the following pages we will explain the unique characteristics of the collection, in particular its design language and the specific features of its products.

- Complete collection for all areas of the bathroom
- One minimalist, organic design language for the entire collection
- Sensual, gentle and serene design
- The shelves as a central element offer added value.



## THE MIXERS: GENTLY FLOWING SHAPES

- Gentle shapes and soft transitions
- Ergonomically shaped handles: a pleasure to operate
- Characteristically tapered shape of the spout
- Minimal use of materials
- Clear water jet without mixing water and air
- Flow limiter 5 l/min



04  
05

## THE WASH BASINS: THE INNOVATION OF INTEGRATED SHELVES

- Gently shaped, generously proportioned shelves
- Asymmetrical positioning of the shelves
- Different levels for a lightweight appearance
- Wash basin and shelves blend into one another.
- Flowing shape of the basin
- Material: mineral cast





## THE COLLECTION

### THE SHELVES – AN ADDED VALUE

- Gently shaped surfaces
- A design element for all product categories
- Generously proportioned surfaces provide added value.



#### Shelves:

- In different sizes
- As a free-standing or wall-mounted version
- Special shelf for the shower, with drain hole
- Material: mineral cast

#### Mixers for exposed installation:

- Mixer doubles as a shelf
- Lightweight appearance through offset, flowing shelves
- Technology concealed within the elegant shelf
- Installation the same as for conventional exposed mixers
- As mixers for wash basin, shower and bath tub
- Material for basic set: mineral cast





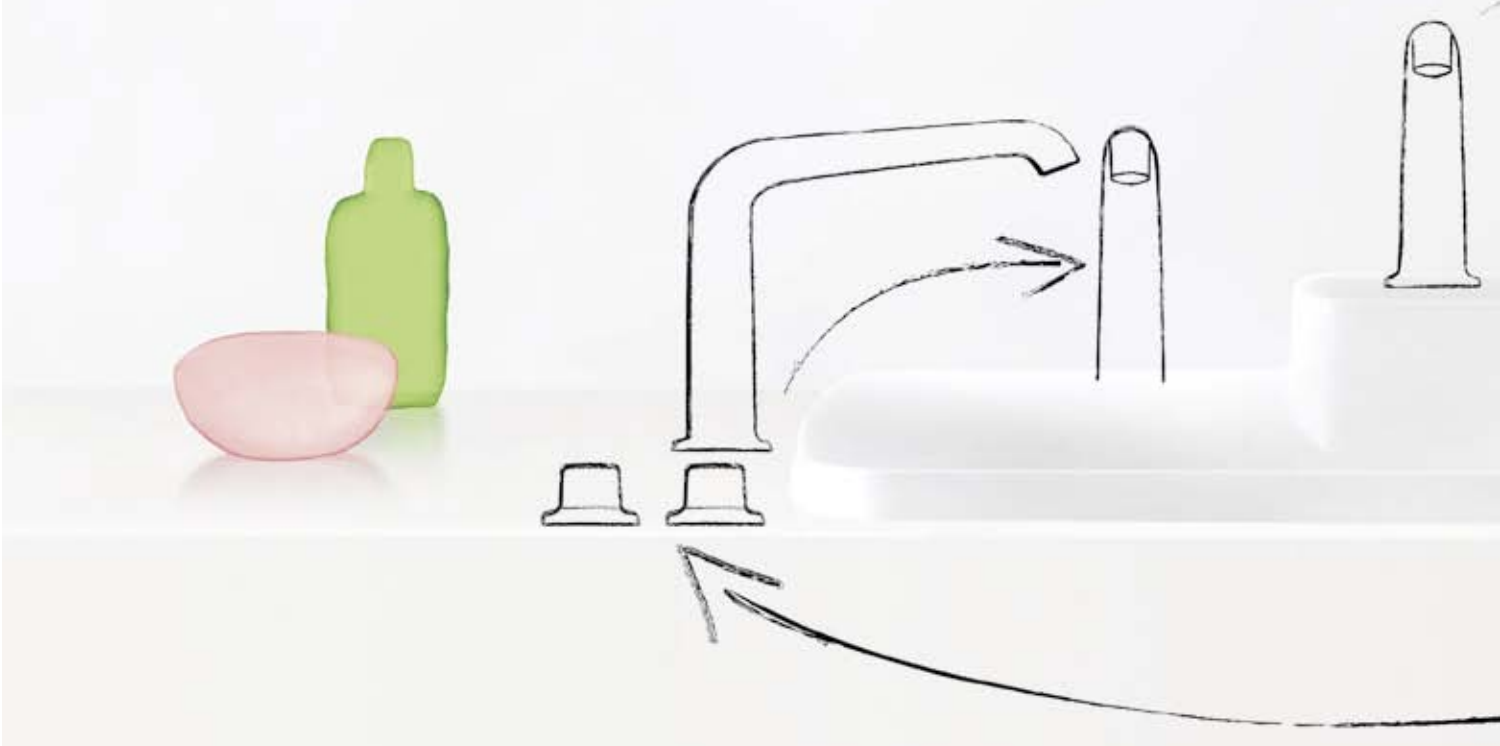
## THE CONCEPT

### FEEL FREE TO COMPOSE

In the following pages we will explain the unique concept of the collection and present examples of different compositions as well as the resulting advantages for you and your customers.

You can also discover the concept of the collection using the Axor Bouroullec Composer at [pro.hansgrohe.co.uk/axor-composer](http://pro.hansgrohe.co.uk/axor-composer)

- The shelves of the wash basin can also be used for positioning the mixer.
- Flexible positioning of the mixer elements
- Positioning of the mixers either above, on top of or around the wash basin - depending on personal preferences.
- Mineral cast allows variable positioning of the holes for spout and handles.
- Personal solution depends on functionality, aesthetics, architecture and the need for shelves.





## MIXERS



Single lever basin mixer



Single lever basin mixer for hand basins



Spout 195 mm



Spout 155 mm



Wall-mounted spout 245 mm



Lever handle



Pillar taps



2-hole basin mixer, concealed installation, wall-mounted, spout 245 mm



3-hole basin mixer, concealed installation, wall-mounted, spout 245 mm

## THE CONCEPT

### 4 EXAMPLES OF DIFFERENT COMPOSITIONS



#### **Space-creating version**

- Ample storage space for personal items
- Appealing look
- Handles are easy to reach



#### **Energy-saving version**

- Large Comfort Zone under the spout
- Separate control of hot and cold water
- Cold water control placed at the front: intuitively, cold water is used first.



**The child-friendly version**

- Water jet easier to reach for children
- Lever handle comfortable to operate
- Ample space for personal items on the back shelf



**Standard version**

- Classic positioning of the mixer
- Familiar flow of movement is maintained.
- Storage space on the wash basin

THE CONCEPT

## ADVANTAGES OF THE NEW PRODUCT CONCEPT

### YOUR ADVANTAGES:

- Planning expertise assumes greater importance
- Stronger customer loyalty thanks to additional planning service
- Highly customised bathroom solutions
- Individualisation without the need for custom-built products
- Creative planning reveals new possibilities
- A small number of products can offer many different options
- Greater freedom in sales consultations
- Hands-on, creative planning in the exhibition



## **ADVANTAGES FOR YOUR CUSTOMERS:**

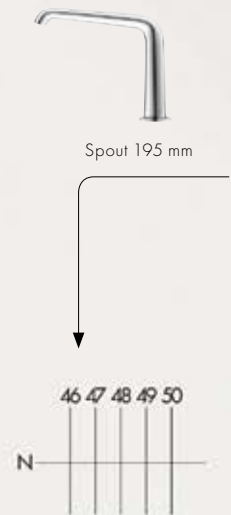
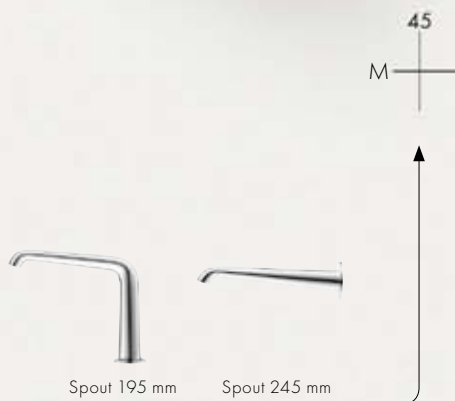
- Implementation of a personalised solution
- Personalised solutions
  - adapted to functional realities
  - adapted to the user's taste
  - adapted to the space situation
- Stronger customer identification with individualised bathroom composition



## PLANNING AND IMPLEMENTATION

### POSITIONING OPTIONS

In the following pages we will explain where the mixers for wash basin and bath tub can be positioned. We will also show you the different pre-drilled wash basins and demonstrate the options they offer. Finally, we will explain all the steps of an ideal planning and implementation process.



- Protective installation sheet with positioning grid for shelves
- Template for positioning the spout outside the wash basin, as well as a drilling line (for built-in wash basins) included
- Positioning grid with 1 cm spaces
- The position of the drill hole is clearly identified together with the customer
- Coordinates provide clear drilling instructions for the installer
- Mineral cast is a material that can easily be drilled with a stone drill (see page 49)



Spout 245 mm

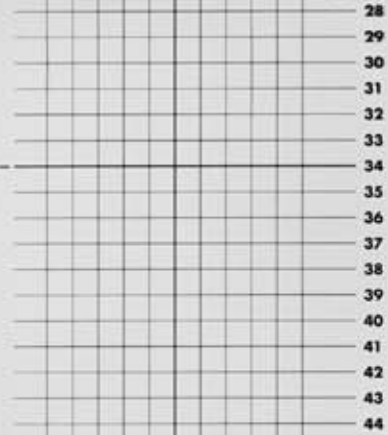
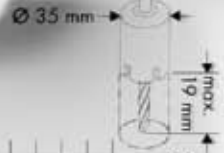
51



Spout 155 mm



Axor Bouroullec 19943000 / 19944000



Axor Bouroullec 19943000 / 19944000



Spout 155 mm



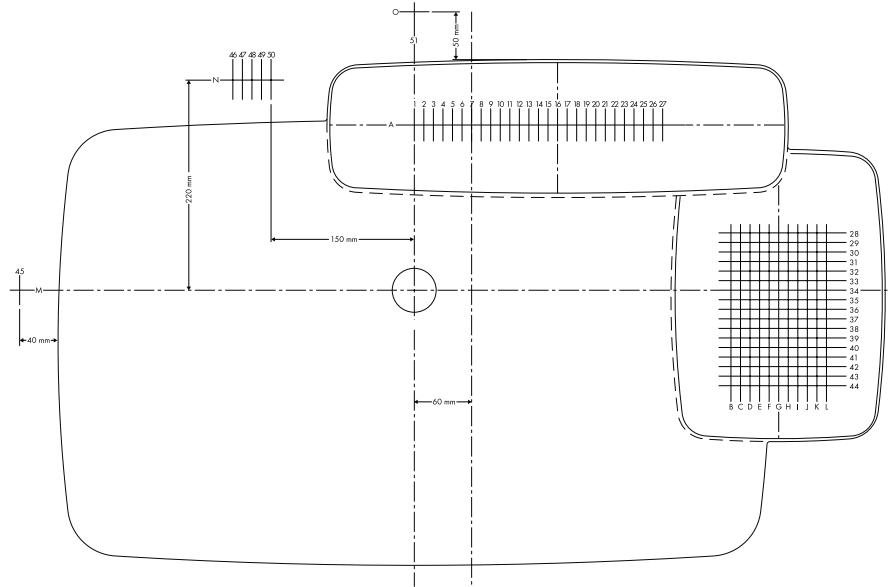
Spout 195 mm





**POSITIONING TEMPLATES FOR THE FOUR DIFFERENT SHAPES OF WASH BASINS**

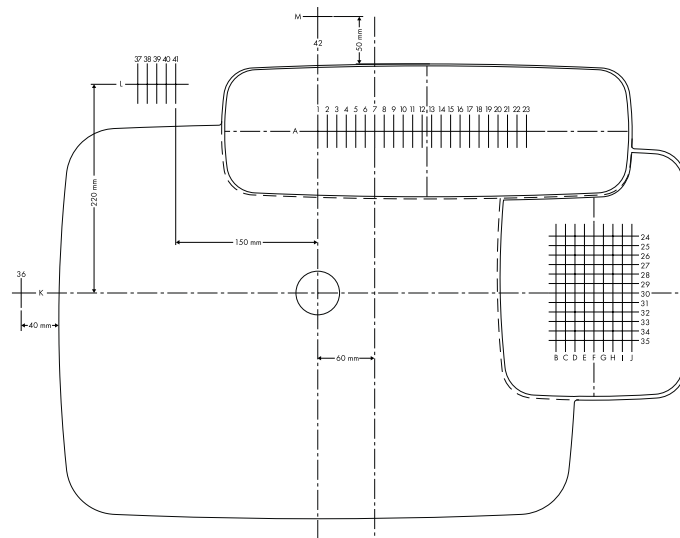
**WASH BASINS 866 mm,  
2 SHELVES**



Dimensions in mm	Spout 155	Spout 195*	Wall spout 245	*	*		
<b>Shelf at back</b>	<b>A 1-27</b>	-	-	<b>A 1-27</b>	<b>A 1-27</b>	<b>A 1-27</b>	<b>A 1-27</b>
<b>Shelf at right</b>	<b>C 28-44</b>	<b>C 28-44</b>	-	<b>B-L 28-44</b>	<b>B-J 30-42</b>	<b>C 28-44</b>	<b>C 28-44</b>
<b>Deck</b>	-	<b>M 45***, N 46-50***</b>	-	-	<b>**</b>	-	-
<b>Wall</b>	-	-	<b>M 45, O 51</b>	-	-	-	-

\*Outer edge of the wash basin: Minimum distance 40 mm (from the centre of the spout/handle) \*\*Please take into account the handle positions for hot and cold water  
\*\*\*Only possible for article no. 19943000

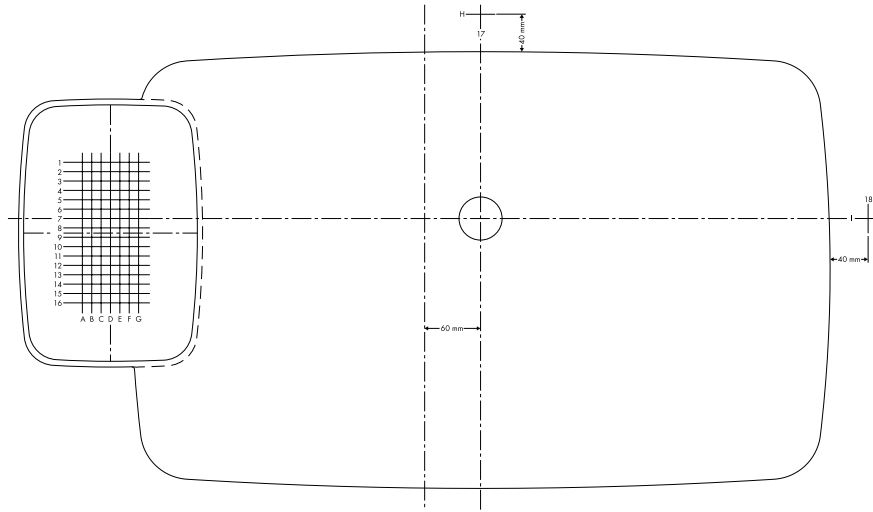
**WASH BASINS 666 mm,  
2 SHELVES**









Dimensions in mm	Spout 155	Spout 195*	Wall spout 245	*	*		
<b>Shelf at back</b>	<b>A 1-20</b>	-	-	<b>A 1-23</b>	<b>A 1-23</b>	<b>A 1-20</b>	<b>A 1-20</b>
<b>Shelf at right</b>	<b>C 24-35</b>	<b>C 24-35</b>	-	<b>B-J 24-35</b>	<b>B-H 25-33</b>	<b>C 24-35</b>	<b>C 24-35</b>
<b>Deck</b>	-	<b>K 36***, L 37-41***</b>	-	-	<b>**</b>	-	-
<b>Wall</b>	-	-	<b>K 36, M 42</b>	-	-	-	-

\*Outer edge of the wash basin: Minimum distance 40 mm (from the centre of the spout/handle) \*\*Please take into account the handle positions for hot and cold water  
\*\*\*Only possible for article no. 19941000

**WASH BASINS 866 mm,  
1 SHELF**

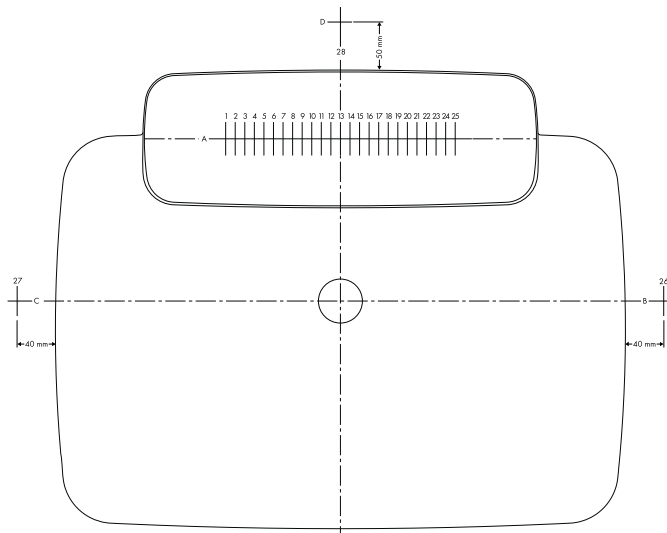








Dimensions in mm				*			
Shelf at left	<b>G 3-15</b>	<b>G 3-15</b>	-	<b>A-G 1-16</b>	<b>B-G 3-15</b>	-	-
Deck	-	<b>H 17***, I 18***</b>	-	-	**	-	-
Wall	-	-	<b>H 17, I 18</b>	-	-	-	-

\*Outer edge of the wash basin: Minimum distance 40 mm (from the centre of the spout/handle) \*\*Please take into account the handle positions for hot and cold water  
\*\*\*Only possible for article no. 19945000

16  
17

**WASH BASINS 595 mm,  
1 SHELF**



Dimensions in mm				*			
Shelf at back	<b>A 1-25</b>	-	-	<b>A 1-25</b>	<b>A 1-25</b>	<b>A 1-25</b>	<b>A 1-25</b>
Deck	-	<b>B 26***, C 27***</b>	-	-	**	-	-
Wall	-	-	<b>B 26, C 27, D 28</b>	-	-	-	-

\*Outer edge of the wash basin: Minimum distance 40 mm (from the centre of the spout/handle) \*\*Please take into account the handle positions for hot and cold water  
\*\*\*Only possible for article no. 19947000

## PLANNING AND IMPLEMENTATION

### A CHOICE OF DIFFERENT OPTIONS

Axor Bouroullec offers numerous possibilities for positioning the mixer elements above, on top of or around the wash basin. Here are a few examples using the 666 mm built-in wash basin with two shelves (article number: 19941000).

Position:  
Spout 155 mm: A 1  
Handles: A 11, A 21



Position:  
Spout 155 mm: A 1  
Handles: front left



Position:  
Spout 155 mm: C 30  
Handles: left of the wash basin



Position:  
Spout 195 mm: K 36  
Handles: right of the wash basin



Position:  
Spout 155 mm: A 1  
Handle: A 11



Position:  
Single lever basin mixer: A 1



Position:  
Single lever basin mixer: A 23



Position:  
Spout 155 mm: A 1  
Handles: B 35, J 35



Position:  
Spout 155 mm: A 1  
Handles: front right



Position:  
Spout 195 mm: K 36  
Handle: C 25, C 35



Position:  
Spout 195 mm: K 36  
Handles: A 13, A 23



Position:  
Spout 155 mm: A 1  
Handle: C 30



Position:  
Spout 195 mm: K 36  
Handle: A 1



Position:  
Single lever basin mixer: C 30



All examples shown can be implemented using the pre-drilled wash basins, which can be ordered using a standard article number.

**The possibilities are endless!**

## PLANNING AND IMPLEMENTATION

### PRE-DRILLED WASH BASINS

The most common drilling patterns are represented in our pre-drilled wash basins.

This offers you the following advantages::

- Easy processing of orders
- Smaller time investment for the installer
- No additional cost compared to the non pre-drilled version
- Drill dust is avoided

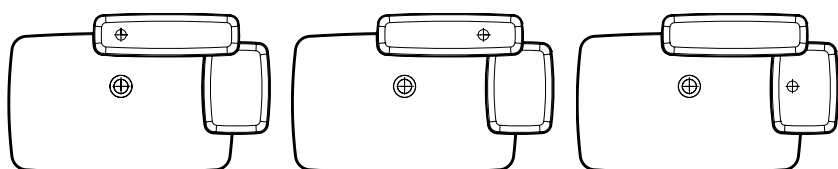
#### Built-in wash basin 866 mm, 2 shelves

---



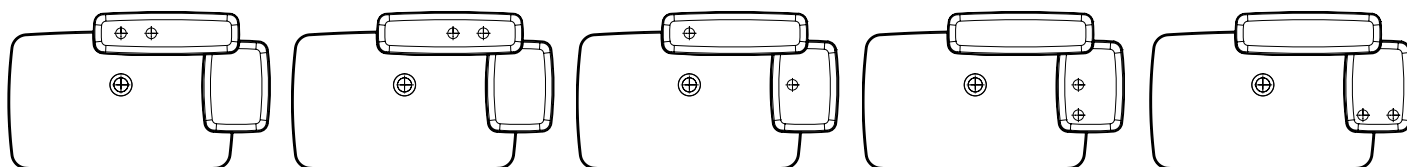
#### 1 Drill hole

---



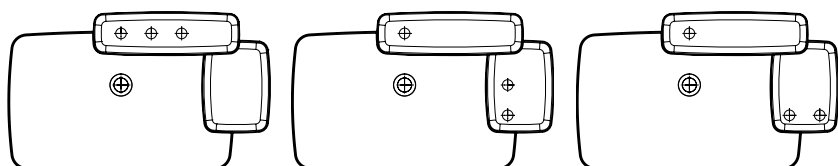
#### 2 Drill holes

---



#### 3 Drill holes

---



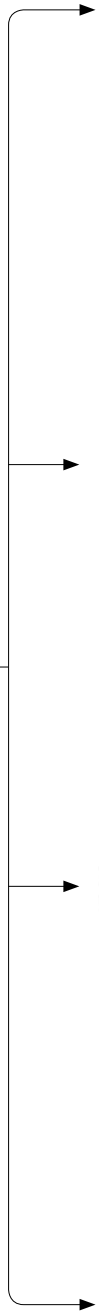
---

Please see page 44/45 for a complete overview of all pre-drilled wash basins.

**ONE ARTICLE NUMBER –  
MANY POSSIBILITIES**

e.g. for a wash basin with two pre-drilled holes on the back shelf (article no. 19943210) combined with:

- 2-hole basin mixer, 155 mm, on the back shelf
- 3-hole basin mixer, 195 mm, with spout placed behind the wash basin
- 3-hole basin mixer, 195 mm, spout placed left of the wash basin
- 2-handle basin mixer with wall-mounted spout on the left and pillar taps



**PLANNING WITH YOUR CUSTOMER**

Six steps to a personalised wash basin scenario. Planning approach and useful questions for customer consultation:



**Planning consultation**

- What does the room look like?
- What are your customer's needs and desires?

**1**



**Choice of a wash basin**

- How much space is available?
- Built-in or wall-mounted version?
- How many shelves make sense?
- Single or double wash basin?

**2**



**Choice of a mixer**

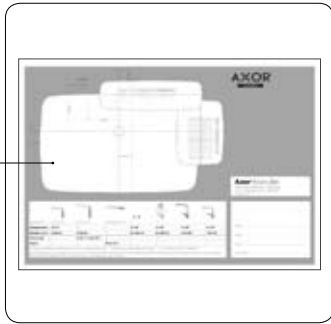
- Which is the preferred way to operate the mixer?
- Wall-mounted or free-standing spout?
- Exposed or concealed installation?

**3**



**Option 1: Composer**

- Position the mixers online at [pro.hansgrohe.co.uk/axor-composer](http://pro.hansgrohe.co.uk/axor-composer)
- No planning mistakes



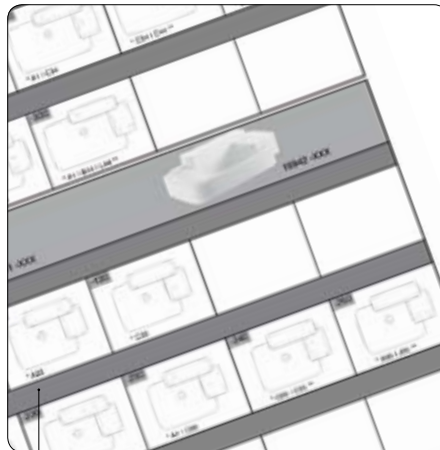
**Option 2: Planning template**

- Mark the coordinates of the position on the planning sketch (please find planning sketches from page 56 in this brochure).



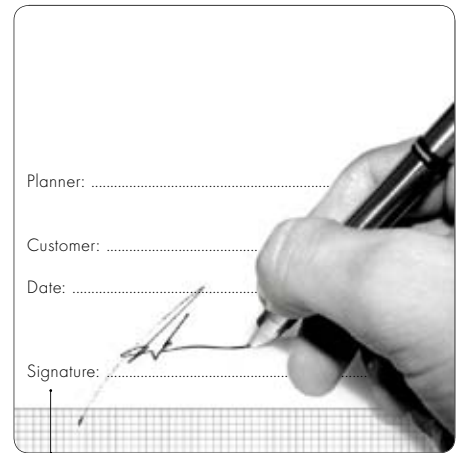
**Positioning of the mixer**

- Where should the spout be placed, and what is the desired position of the handles?
- In terms of both aesthetics and comfort, which position appeals to your customer the most?
- How many shelves are needed?



**Choice of a pre-drilled wash basin**

- Pre-drilled wash basin available?



**Confirmation**

- Planning is confirmed with the customer's signature.



## DRILLING AND INSTALLATION

Choose one of the following options.

### Pre-drilled wash basin

---



- Order a pre-drilled wash basin with a standard article number (see p. 44/45).

### Drilling completed by plumber/installer

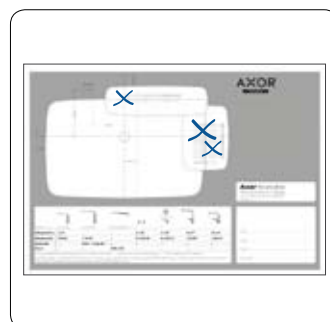
---



- Order a wash basin without pre-drilled holes (see p. 42/43).
- Forward planning document to plumber/installer.

### Drilling service by Axor Manufaktur

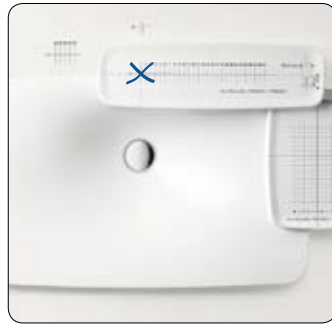
---



- Order a custom-drilled wash basin (according to the planning sketch).



- Suitable tool: standard stone drill,  $\varnothing$  35 mm (see page 49)
- Please read installation instructions for wash basin.



- Punch-mark the hole position on the wash basin.



- Drill the holes for spout and handles from above.



- Final assembly

## PLANNING AND IMPLEMENTATION

### THE AXOR BOUROLLEC BATH TUB

- Continuation of the wash basin design
- Shelves: free positioning of the mixer elements and space for personal items
- Protective installation sheets with positioning grid on the shelves
- Positioning grid with 1 cm spaces
- Material: Acrylic





The seating position in the bath tub must be factored in when determining the position of the elements.

## BATHROOM INSPIRATIONS

### THE AXOR BOURULLEC BATHROOM

In the following pages you will find examples of Axor Bouroullec bathroom compositions. In line with the motto "Feel Free to Compose" we provide you with a choice of materials, floor plan examples and modules which you can freely combine with each other. Be inspired by the designers' own bathroom.

When composing their own dream bathroom, designers Ronan and Erwan Bouroullec were inspired by Japanese architecture. They designed this space to be an inviting retreat, offering privacy and serenity.

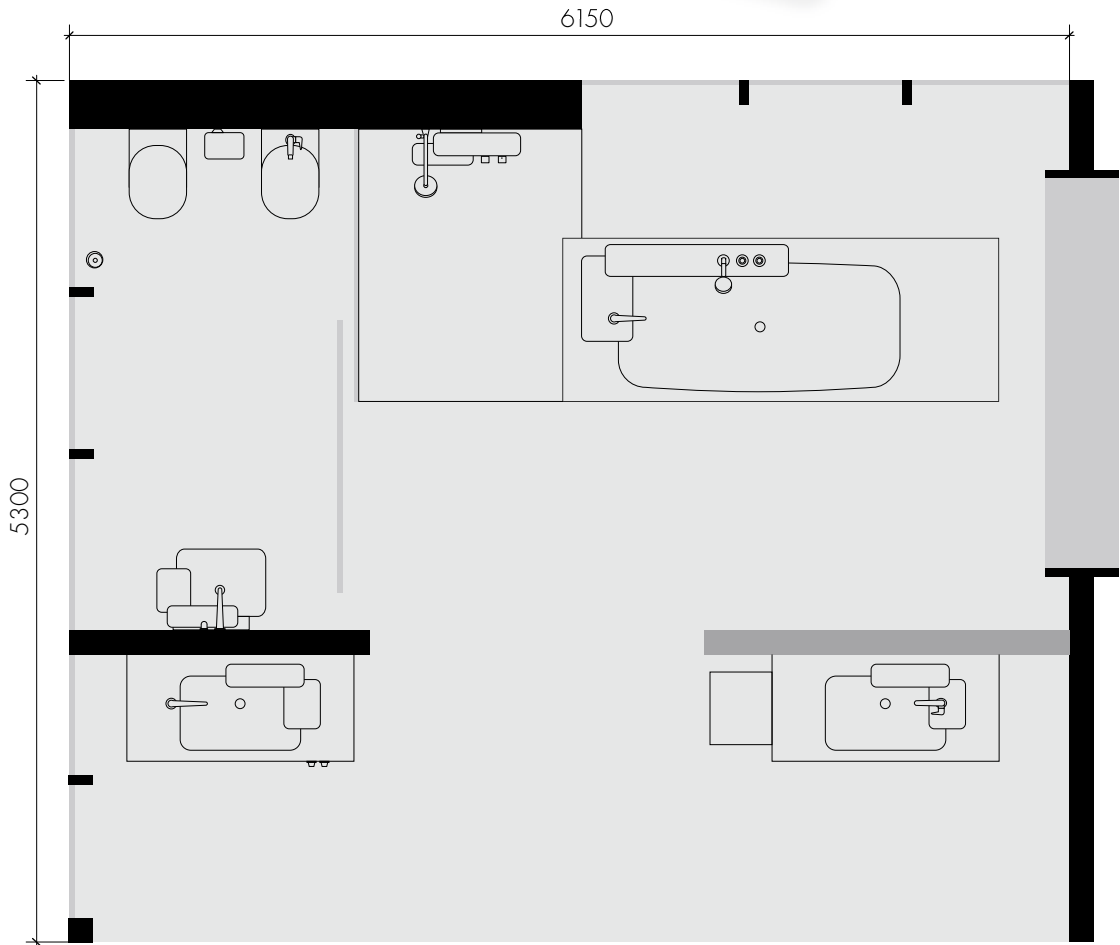
- Inviting and serene
- Balance created by subtle products
- Light, pleasant colours
- Natural, warm light
- Protective screen using white frosted privacy glass
- Separate wash basins can be adjusted to the needs of different users



# MATERIAL



# FLOOR PLAN



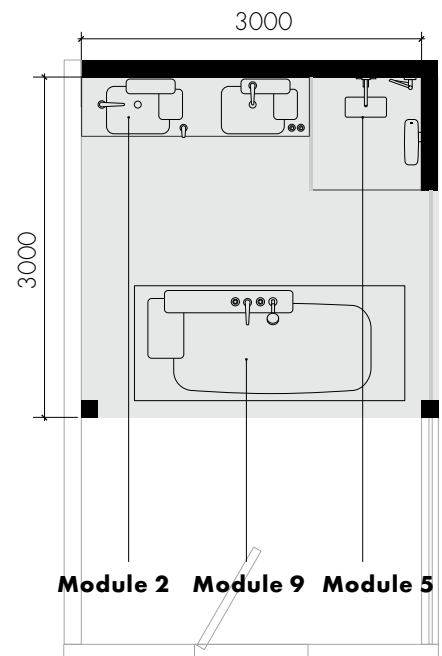
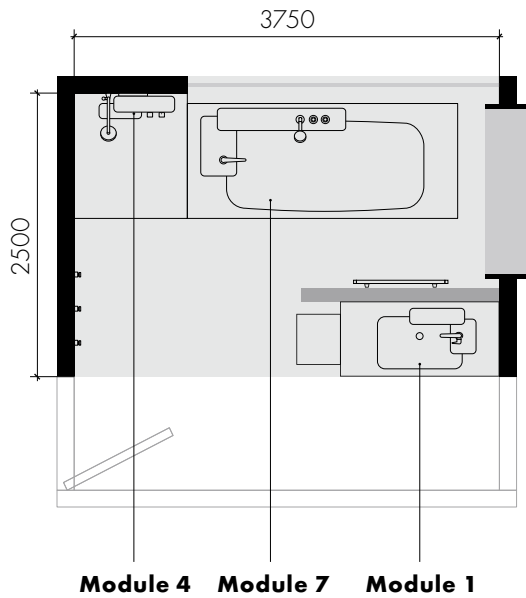
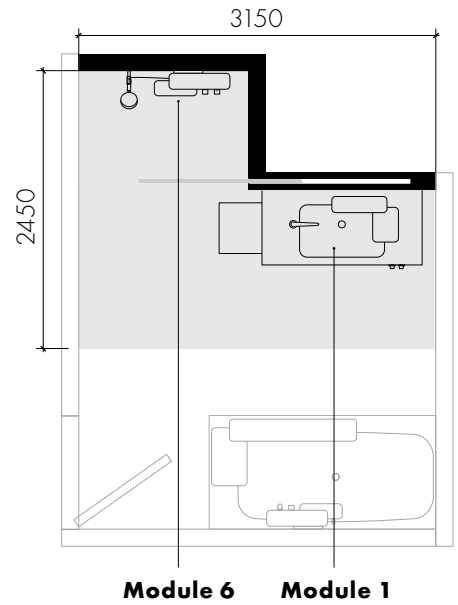
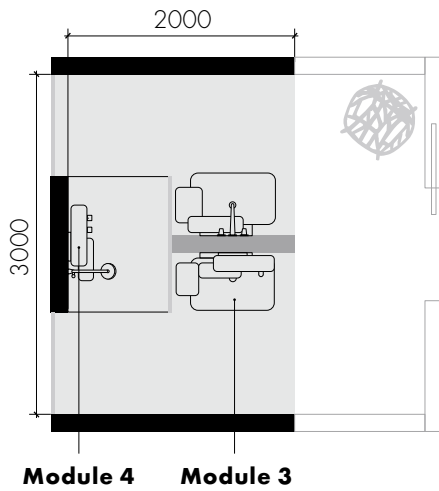
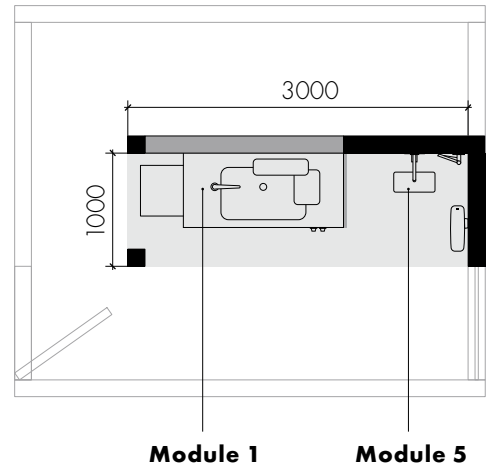
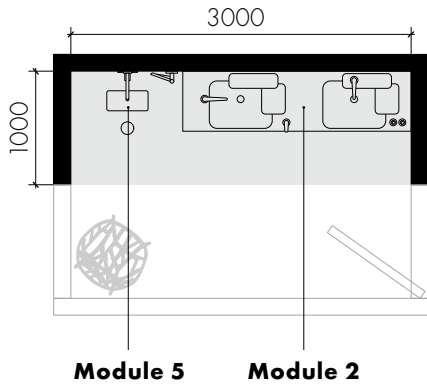
# MATERIAL

Axor Bouroullec can be realised in the most diverse colours and materials. Three suggestions for materials:

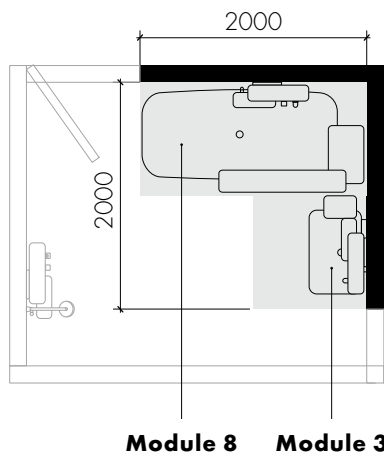


# EXAMPLES OF FLOOR PLANS

The floor plan examples were designed using the modules shown on the right. If desired, these modules can be replaced by others. The bathroom can then be realised using the suggested materials shown on the left.







**3 sqm**

**Left**

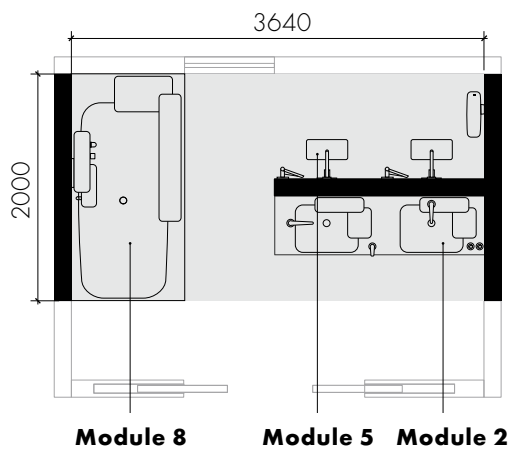
- Double wash basin scenario with ample space for personal items – a customised composition in a small space.

**Middle**

- The generous wash basin scenario is adapted to the architecture of the room (e.g. a window right behind the wash basin) by flexible positioning of the mixer elements.

**Right**

- Cascade-like architecture by creating different levels for exposed mixer, wash basin and bath tub.



**6 sqm**

**Left**

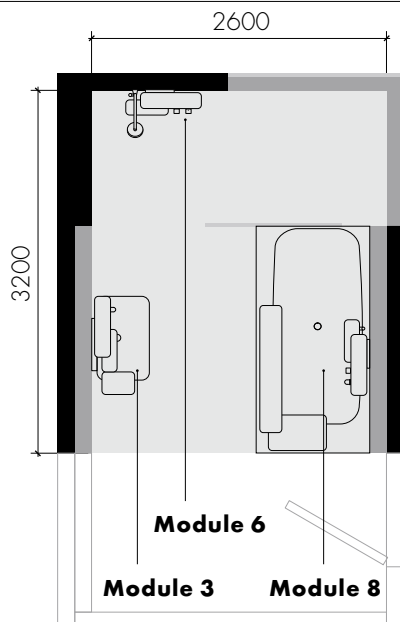
- Diverse composition by separating the two wash basins with a half-wall.
- The shower area is accessible from two sides.

**Middle**

- The architectural layout of the room is used to create a shower area.

**Right**

- The shower and wash basin areas are separated by the central installation wall.



**9 sqm**

**Left**

- Using different levels to segment the room into different functional areas.
- Large window for natural light in the bathroom.
- Spacious wash basin scenario with shelves and seating by combining the wash table and bench.

**Middle**

- Free-standing bath tub frame as a central element
- Two individual wash basin areas

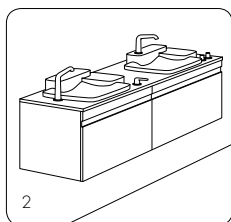
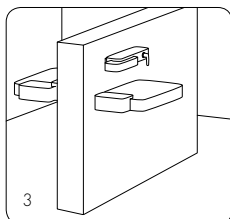
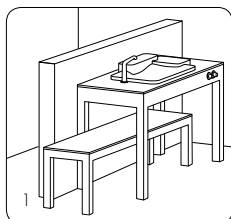
**Right**

- Room opens up towards the outside via large floor-to-ceiling windows.
- Floor-level shower system made feasible thanks to the elevated shower platform.
- Horizontal segmentation of the wall surfaces through additional half-walls.

# MODULES

For every area of the bathroom, three modules were created - each with different products and a different architectural scenario. These modules can be freely combined with each other and integrated into the floor plans.

## Wash basin



### Module 1

- Wash table with bench
- Built-in wash basin, 866 mm, two shelves

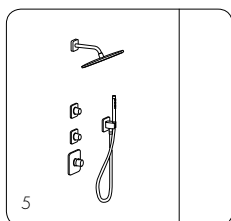
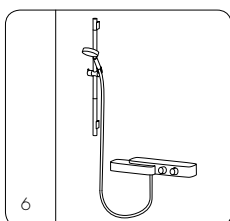
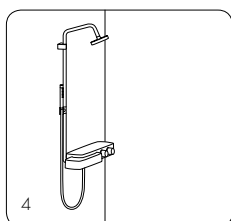
### Module 2

- Console or furniture for wash basin
- Built-in wash basins, 666 mm, two shelves

### Module 3

- Half wall
- Wash basin, 866 mm, one shelf, wall-mounted
- Wash basin, 866 mm, two shelves, wall-mounted
- Can also be used for a single wash basin

## Shower



### Module 4

- Exposed installation
- Shower pipe

### Module 5

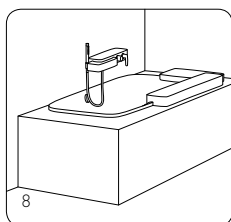
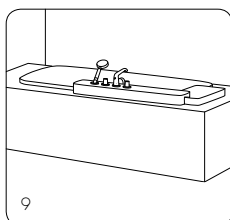
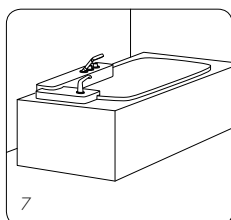
- Concealed installation
- Thermostat, concealed installation
- Shut-off valves
- Porter unit with hand shower and hose
- Overhead shower with shower arm

### Module 6

- Exposed installation
- Shower thermostat, exposed installation
- Shower set

30  
33

## Bath tub



### Module 7

- Built-in bath tub
- 2-hole thermostatic rim-mounted bath mixer
- Bath spout
- Shower unit

### Module 8

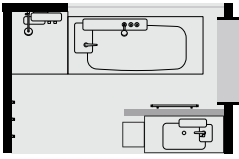
- Built-in bath tub
- Single lever bath mixer, exposed installation

### Module 9

- Built-in bath tub
- Free-standing bath tub frame
- 4-hole rim-mounted bath mixer

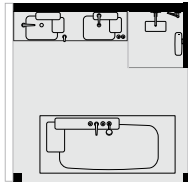
## IMPLEMENTATION OF THREE FLOOR PLAN EXAMPLES WITH DIFFERENT MATERIALS AND MODULES

### 1. Serenity and lightness



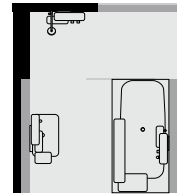
- Planned with material A
- Serenity and elegance thanks to light, friendly colours and warm materials
- Plenty of natural daylight through large floor-to-ceiling windows
- Protective screen using white frosted privacy glass
- Lightness and openness using different levels for different areas of the bathroom
- Welcoming atmosphere enhanced by wash basin furniture and bench

### 2. Colourful elegance



- Planned with material B
- Elegant and colourful thanks to warm, brown shades
- Appealing contrasts of light and dark colours using white accents
- Creation of storage space using furniture underneath the wash basin
- Free-standing bath tub frame as a central element
- Two separate wash basins for the creation of personalised space

### 3. Welcoming and open



- Planned with material C
- Elegant appearance through colour contrasting materials
- Visual enlargement of the room using large floor-to-ceiling windows
- Structuring of the room by means of additional half-walls, which also simplifies installation
- Consistent choice of products by using an exposed mixer in all areas of the bathroom



#### Axor Bouroullec products:

##### Wash basin:

- 1 x built-in wash basin, 866 mm, 2 shelves  
Ref.-no. 19943000
- 1 x single lever basin mixer  
Ref.-no. 19011000
- 1 x mirror, small, wall-mounted  
Ref.-no. 42681000

##### Shower:

- 1 x Showerpipe with thermostat  
Ref.-no. 19670400

##### Bath tub:

- 1 x built-in bath tub  
Ref.-no. 19955000
- 1 x 2-hole thermostatic rim-mounted bath mixer  
Ref.-no. 19432000
- 1 x bath spout rim-mounted  
Ref.-no. 19417000
- 1 x Secuflex® rim-mounted set with hand shower  
Ref.-no. 19418000

#### Other products:

- Wash table and bench
- Stool: Cork Family by Vitra

2.



**Axor Bouroullec products:**

Wash basin:

- 2 x built-in wash basin, 666 mm, 2 shelves  
Ref.-no. 19941000
- 1 x 2-hole basin mixer, 195 mm  
Ref.-no. 19144000
- 1 x 3-hole basin mixer, 155 mm  
Ref.-no. 19141000
- 2 x mirror, large, wall-mounted  
Ref.-no. 42685000
- 1 x mirror, small, wall-mounted  
Ref.-no. 42681000

Shower:

- 1 x thermostat, concealed installation  
Ref.-no. 19700000
- 2 x shut-off valve, concealed installation  
Ref.-no. 19971000
- 1 x porter unit  
Ref.-no. 19622000
- 1 x baton hand shower  
Ref.-no. 28532000
- 1 x shower hose  
Ref.-no. 28676000
- 1 x Raindance E 240 Air 1jet overhead  
shower with shower arm  
Ref.-no. 27370000
- 1 x shelf 400 mm, for the shower  
Ref.-no. 42669400

Bath tub:

- 1 x built-in bath tub  
Ref.-no. 19955000
- 1 x 4-hole rim-mounted mixer  
Ref.-no. 19446000

**Other products:**

- Base for wash table: Ketho by Duravit
- Chair: Vegetal by Vitra
- Stool: Cork Family by Vitra
- Accessories: Algues by Vitra

34  
35

3.



**Axor Bouroullec products:**

Wash basin:

- 1 x wash basin, 866 mm, 1 shelf,  
wall-mounted  
Ref.-no. 19946000
- 1 x single lever basin mixer, exposed  
installation  
Ref.-no. 19132400
- 1 x mirror, large, wall-mounted  
Ref.-no. 42685000
- 1 x mirror, small, wall-mounted  
Ref.-no. 42681000
- 1 x double hook  
Ref.-no. 42601000

Shower:

- 1 x Showerpipe with thermostat  
Ref.-no. 19670400
- 1 x double hook  
Ref.-no. 42601000

Bath tub:

- 1 x built-in bath tub  
Ref.-no. 19955000
- 1 x single lever basin mixer, exposed  
installation  
Ref.-no. 19420400
- 1 x bath towel holder, 600 mm  
Ref.-no. 42660000

**Other products:**

- Chair: Slow Chair by Vitra

BADINSPIRATION

**EVEN MORE  
POSSIBLE  
COMBINATIONS**

The Axor Bouroullec mixers can also be combined with many wash basins from other manufacturers. In fact, the combination with an undercounter wash basin offers plenty of possible compositions.



Neutral undercounter wash basin, e.g. by Duravit



36  
37

From top left to bottom right: Palomba by Laufen, SimplyU Natural by Ideal Standard, iCon by Keramag, Pli by Burgbad

## TIPS FOR YOUR EXHIBITION

For the presentation of Axor Bouroullec in your exhibition we recommend an installation which leaves the shelves of the wash basin empty. We also recommend the use of a flexible dummy mixer set.

In this way you can demonstrate more attractive positioning options for the mixers and allow your customers to discover and plan Axor Bouroullec in a playful way.

Such a presentation offers you the following advantages:

- Your customer can discover the collection's possibilities in a playful way.
- Creative and personalised combination and positioning of mixer elements.
- Hands-on planning in the exhibition
- It becomes easier for your customer to envision a composition of elements.
- Customers strongly identify with their chosen composition.

For example, you can install the mixer elements beyond the wash basin on the console or on the wall.























In a double wash basin scenario, you could install the mixer elements on just one of the wash basins. On the second, empty wash basin your customers can then try out their own personal compositions.



**Flexible dummy mixer set** consisting of removable individual elements: Single lever basin mixer, spout 155 mm, spout 195 mm, single lever handle and two valve handles. **Ref.-no. 19189000**

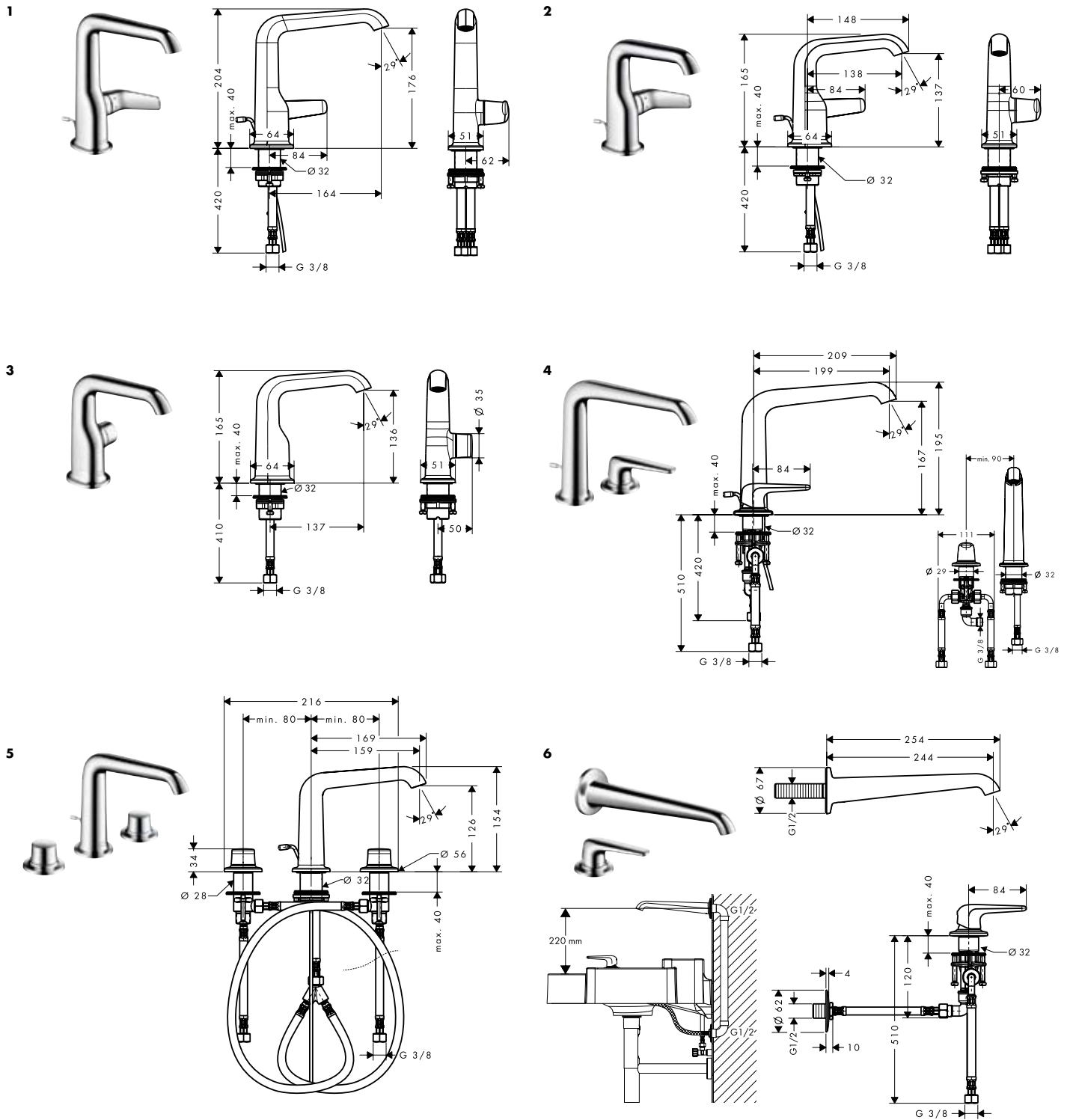
**AXOR BOUROLLEC COMBINATION POSSIBILITIES**

								
Ref.-no.	19943000	19944000	19941000	19942000	19945000	19946000	19947000	19948000
 19011000	x	x	x	x	-	-	x	x
 19014000	x	x	x	x	-	-	x	x
 19141000	x	x	x	x	x	-	x	x
 19142000	x	x	x	x	x	-	x	-
 19143000	x	x	x	x	x	x	x	x
 19144000	x	x	x	x	x	x	x	-
 19138000	x	x	x	x	x	x	x	x
 19140000	x	x	x	x	x	x	x	x
 19127000	x	x	x	x	x	x	x	x
 19136000	x	x	x	x	x	x	x	x
 19132400	-	-	-	-	x	x	-	-
 19134400	-	-	-	-	x	x	-	-

x = Combination is possible/- = Combination is not possible

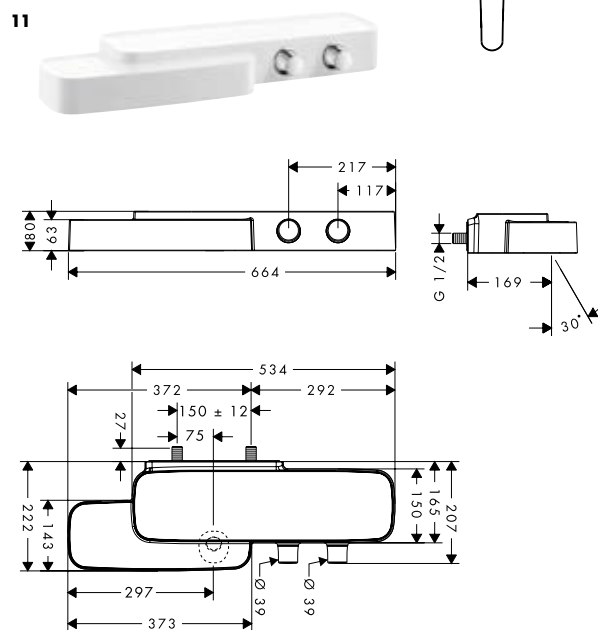
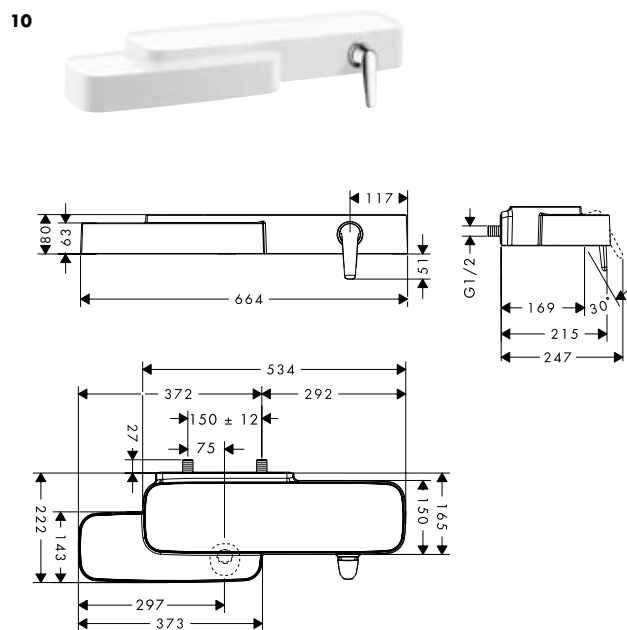
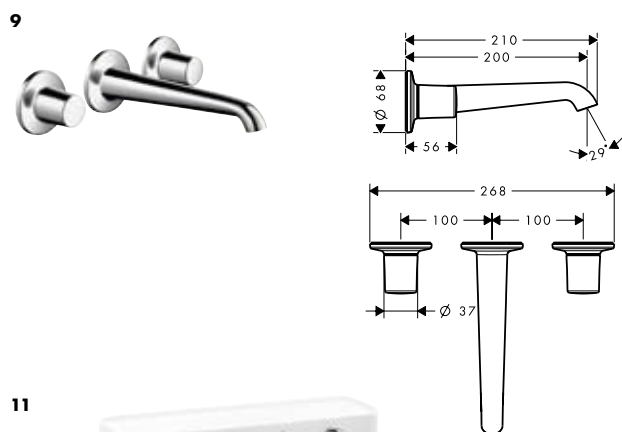
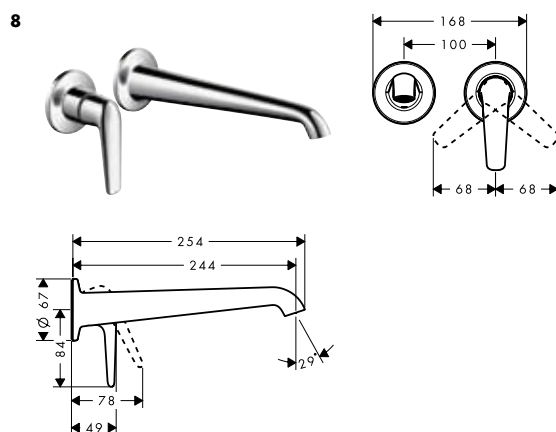
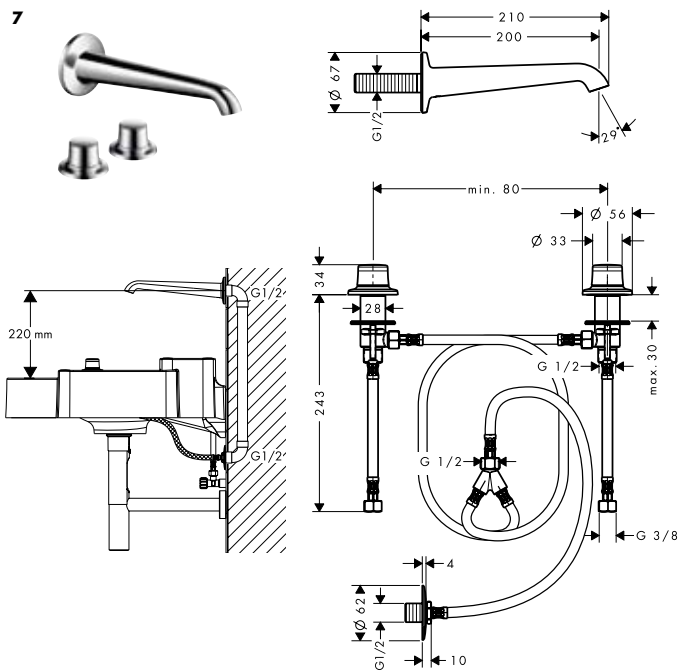
Please always use the Axor Bouroullec wash basins in combination with Axor Bouroullec mixers without pull-rod.





**Basin mixer**

- |   |  |  |
|---|--|--|
| <p><b>1</b> Single lever basin mixer<br/> <b>Ref.-no. 19010000</b><br/>                 Single lever basin mixer without pull-rod (not shown)<br/> <b>Ref.-no. 19011000</b><br/>                 Single lever basin mixer with copper pipes (not shown)<br/> <b>Ref.-no. 19012000</b></p> | <p><b>4</b> 2-hole basin mixer 195 mm<br/> <b>Ref.-no. 19124000</b><br/>                 2-hole basin mixer 195 mm without pull-rod (not shown)<br/> <b>Ref.-no. 19144000</b><br/>                 2-hole basin mixer 155 mm (not shown)<br/> <b>Ref.-no. 19123000</b><br/>                 2-hole basin mixer 155 mm without pull-rod (not shown)<br/> <b>Ref.-no. 19143000</b></p> | <p><b>5</b> 3-hole basin mixer 155 mm<br/> <b>Ref.-no. 19121000</b><br/>                 3-hole basin mixer 155 mm without pull-rod (not shown)<br/> <b>Ref.-no. 19141000</b><br/>                 3-hole basin mixer 195 mm (not shown)<br/> <b>Ref.-no. 19122000</b><br/>                 3-hole basin mixer 195 mm without pull-rod (not shown)<br/> <b>Ref.-no. 19142000</b></p> |
| <p><b>2</b> Single lever basin mixer for hand basins<br/> <b>Ref.-no. 19013000</b><br/>                 Single lever basin mixer for hand basins without pull-rod (not shown)<br/> <b>Ref.-no. 19014000</b></p>   | <p><b>6</b> Single lever basin mixer with wall-mounted spout 245 mm, concealed installation, free-standing handle<br/> <b>Ref.-no. 19138000</b><br/>                 Single lever basin mixer with wall-mounted spout 200 mm, concealed installation, free-standing handle (not shown)<br/> <b>Ref.-no. 19137000</b></p>   |  |



**7** 2-handle basin mixer with wall-mounted spout 200 mm, concealed installation, two valves for free-standing installation  
**Ref.-no. 19139000**  
 2-handle basin mixer with wall-mounted spout 245 mm, concealed installation, two valves for free-standing installation (not shown)  
**Ref.-no. 19140000**

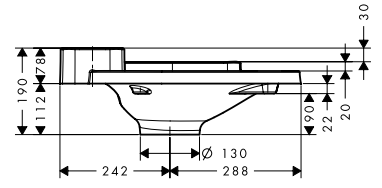
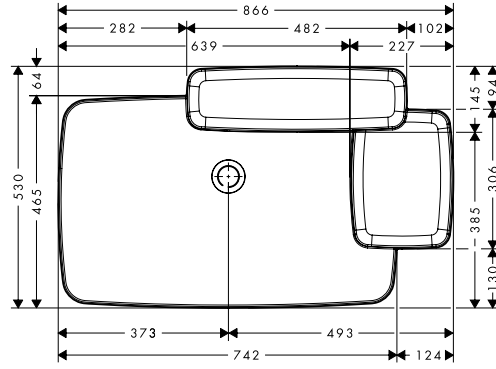
**9** 3-hole basin mixer, concealed installation, wall-mounted, spout 200 mm  
**Ref.-no. 19135000**  
 3-hole basin mixer, concealed installation, wall-mounted, spout 245 mm (not shown)  
**Ref.-no. 19136000**  
 Basic set (not shown)  
**Ref.-no. 10303180**

**10** Single lever basin mixer, exposed installation  
**Ref.-no. 19132400**

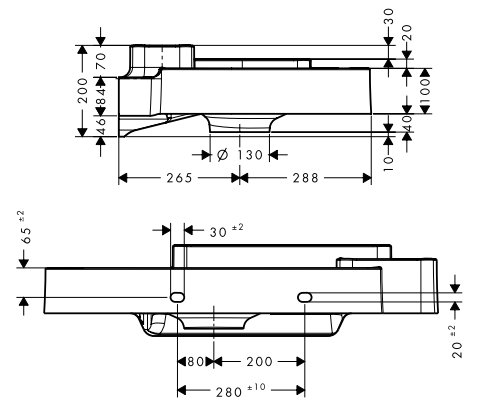
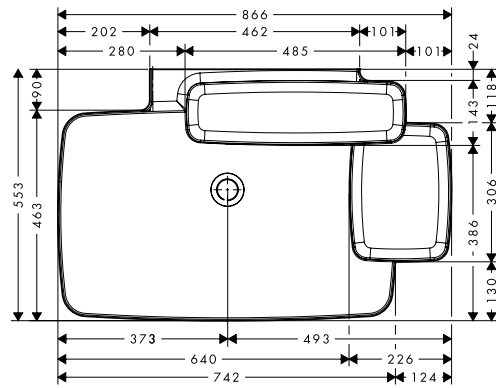
**11** 2-handle basin mixer, exposed installation  
**Ref.-no. 19134400**

**8** Single lever basin mixer, concealed installation, wall-mounted, spout 245 mm  
**Ref.-no. 19127000**  
 Single lever basin mixer, concealed installation, wall-mounted, spout 200 mm (not shown)  
**Ref.-no. 19125000**  
 Basic set (not shown)  
**Ref.-no. 13622180**

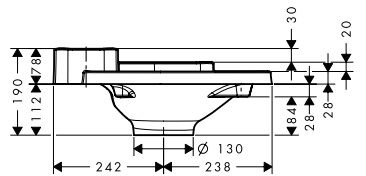
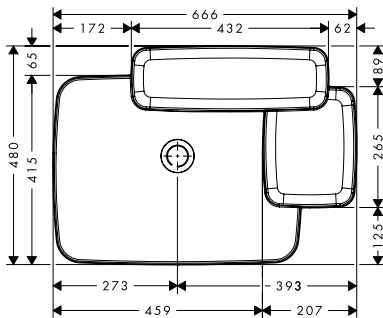
1



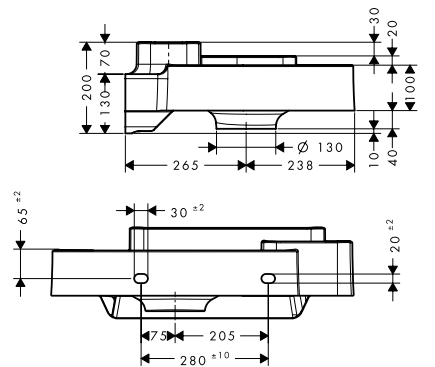
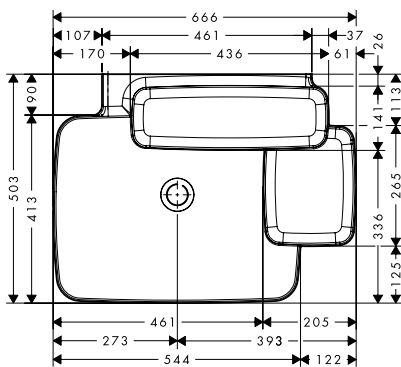
2



3



4



**Basin**

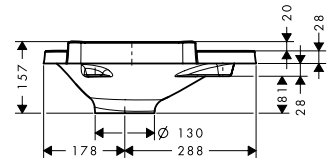
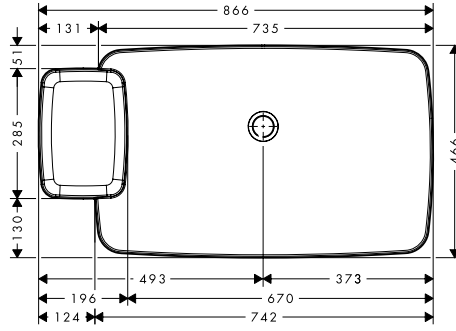
1 Built-in wash basin, 866 mm, 2 shelves  
**Ref.-no. 19943000**

2 Wash basin, 866 mm, 2 shelves, wall-mounted  
**Ref.-no. 19944000**

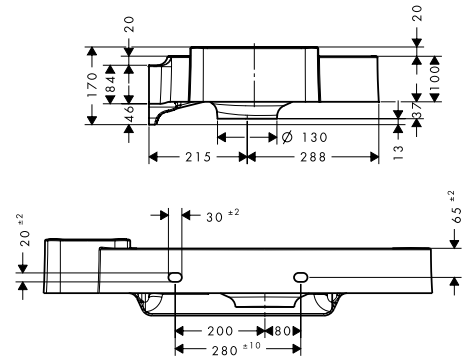
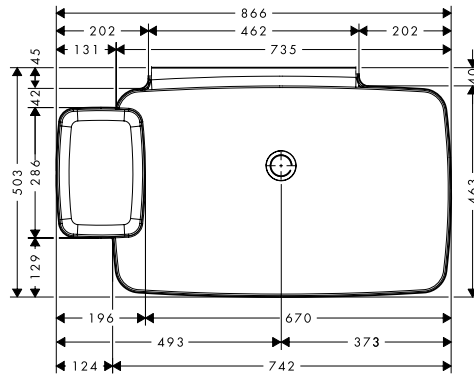
3 Built-in wash basin, 666 mm, 2 shelves  
**Ref.-no. 19941000**

4 Wash basin, 666 mm, 2 shelves, wall-mounted  
**Ref.-no. 19942000**

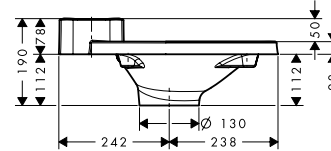
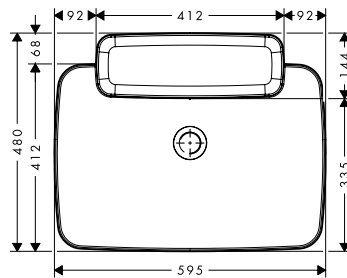
5



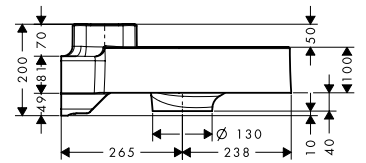
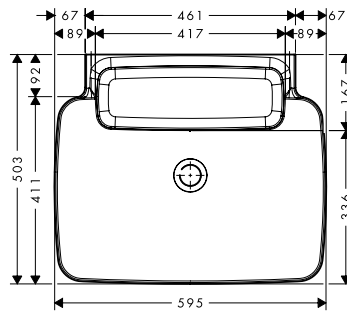
6



7



8



5 Built-in wash basin, 866 mm, 1 shelf  
Ref.-no. 19945000

7 Built-in wash basin, 595 mm, 1 shelf  
Ref.-no. 19947000

6 Wash basin, 866 mm, 1 shelf, wall-mounted  
Ref.-no. 19946000

8 Wash basin, 595 mm, 1 shelf, wall-mounted  
Ref.-no. 19948000

**Axor Bouroullec Pre-drilled wash basins**

The drilling coordinates are indicated below the wash basin sketches.

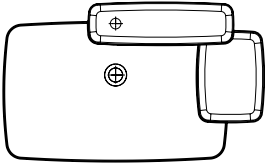
Built-in wash basin,  
866 mm, 2 shelves  
**Ref.-no.**  
**19943-XXX**



Wash basin,  
866 mm, 2 shelves,  
wall-mounted  
**Ref.-no.**  
**19944-XXX**

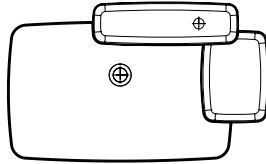


**-110**



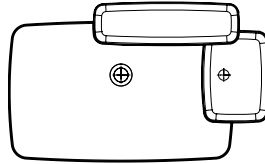
A 1

**-120**



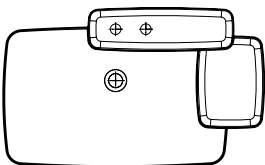
A 27

**-130**



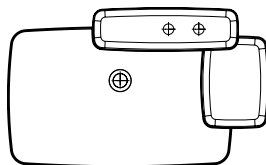
C 34

**-210**



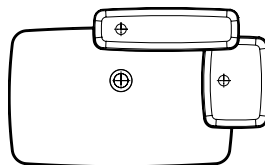
A 1, A 11

**-220**



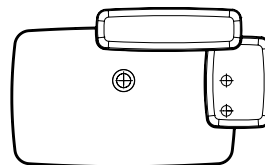
A 17, A 27

**-230**



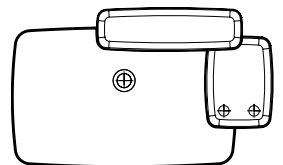
A 1, C 34

**-240\***



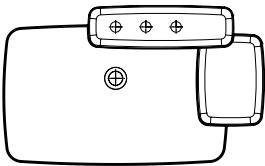
C 34, C 44

**-250\***



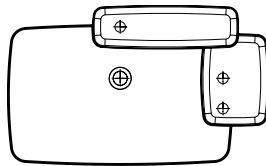
B 44, L 44

**-310**



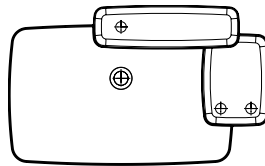
A 1, A 11, A 21

**-320**



A 1, C 34, C 44

**-330**



A 1, B 44, L 44

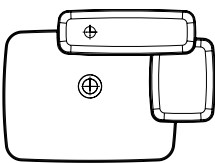
Built-in wash basin,  
666 mm, 2 shelves  
**Ref.-no.**  
**19941-XXX**



Wash basin,  
666 mm, 2 shelves,  
wall-mounted  
**Ref.-no.**  
**19942-XXX**

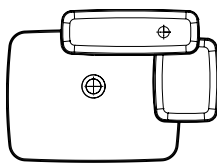


**-110**



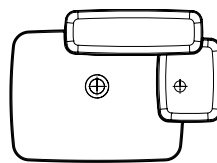
A 1

**-120**



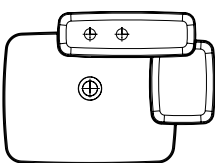
A 23

**-130**



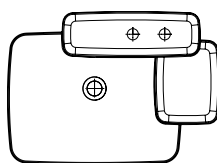
C 30

**-210**



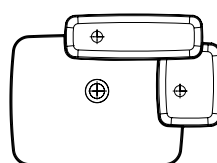
A 1, A 11

**-220**



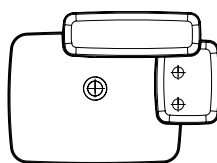
A 13, A 23

**-230**



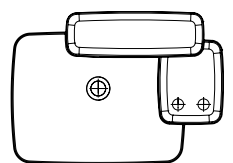
A 1, C 30

**-240\***



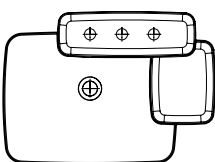
C 25, C 35

**-250\***



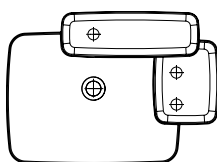
B 35, J 35

**-310**



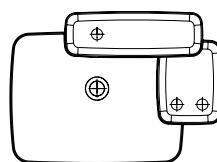
A 1, A 11, A 21

**-320**



A 1, C 25, C 35

**-330**



A 1, B 35, J 35

\* not possible in combination with 19143000 and 19144000

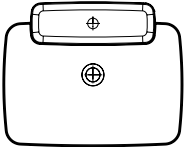
Built-in wash basin,  
595 mm, 1 shelf  
**Ref.-no.**  
**19947-XXX**



Wash basin,  
595 mm, 1 shelf,  
wall-mounted  
**Ref.-no.**  
**19948-XXX**

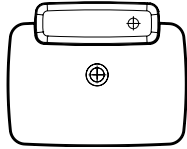


**-110**



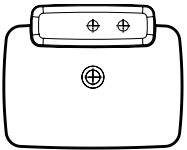
A 13

**-120**



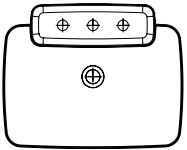
A 25

**-210**



A 13, A 23

**-310**



A 3, A 13, A 23

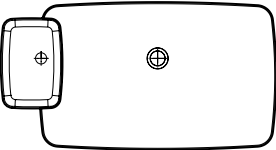
Built-in wash basin,  
866 mm, 1 shelf  
**Ref.-no.**  
**19945-XXX**



Wash basin,  
866 mm, 1 shelf,  
wall-mounted  
**Ref.-no.**  
**19946-XXX**

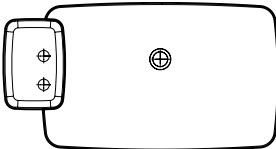


**-110**



G 7

**-210**



G 6, G 16

## PRODUCT OVERVIEW

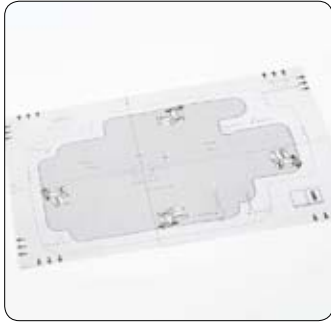
### TECHNICAL INFORMATION FOR WASH BASINS

The following pages contain tips for planning, installation and cleaning of the wash basins as well as brief instructions for using the equipment provided.

#### Equipment box for wash basins:

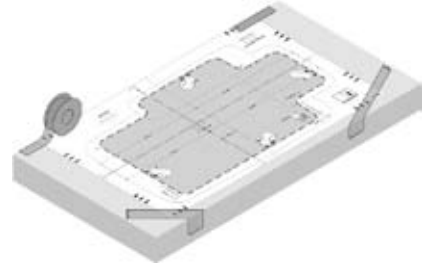
Each wash basin comes with an equipment box containing the following:





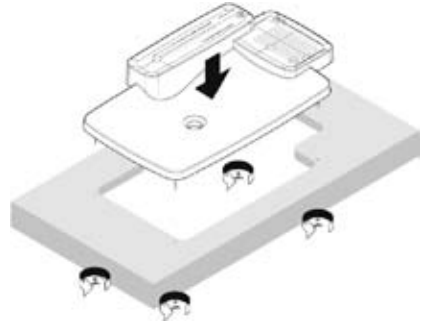
1. Template for the area around the wash basin (only for built-in wash basins)

- Drilling line
- Coordinates for the positioning of the spout
- Please check technical feasibility with the furniture being used.



2. Nuts + bolts (only for built-in wash basins)

- for mounting the wash basin on the console



3. Grommets + cable clips

- for fastening the hoses to the wash basin



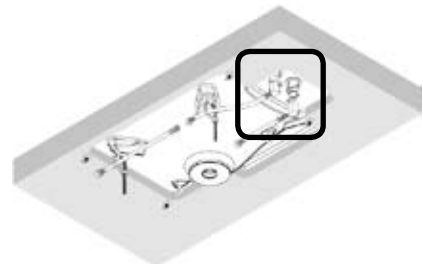
4. Hose extensions

- for connecting mixer elements that are placed far apart



5. Elbows

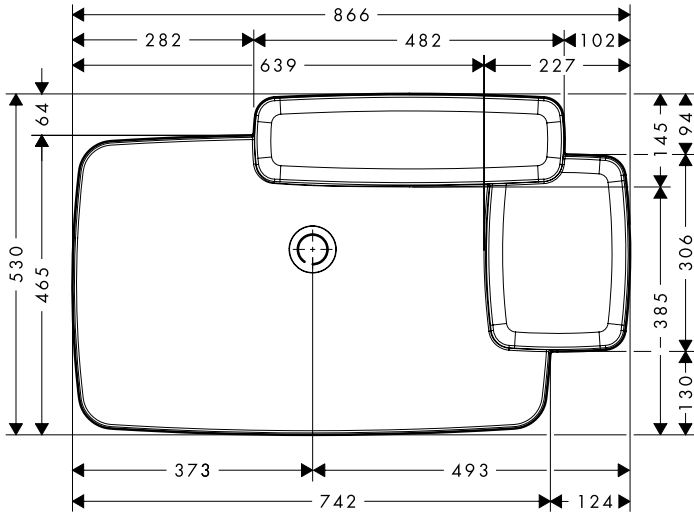
- hoses follow a horizontal line
- hoses are invisible from the front





**TECHNICAL INSTRUCTIONS FOR THE WASH BASINS**

**Installation instructions**



**1. Built-in wash basins**

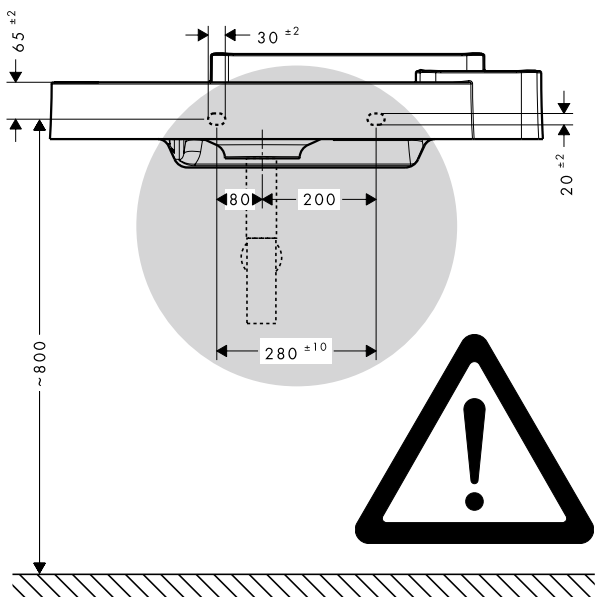
When planning for furniture mounting and spout placement, the asymmetrical position of the spout has to be taken into account.

Shown using the example of 19943-XXX

This applies to:

- 19943-XXX
- 19941-XXX
- 19945-XXX

Please refer to page 42/43 to see all scale drawings.



**2. Wall-mounted wash basins**

When planning the bathroom, the asymmetrical position of the hanger bolts has to be taken into account.

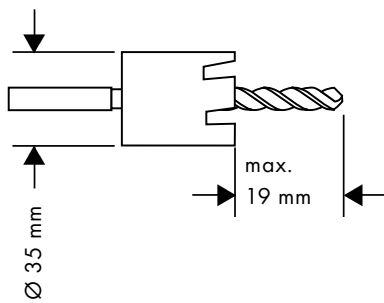
Shown using the example of 19944-XXX

This applies to:

- 19944-XXX
- 19942-XXX
- 19946-XXX

Please refer to page 42/43 to see all scale drawings.

## Drill bit



For drilling the Axor Bouroullec wash basins, we recommend the following tool:

- Core bit suitable for stone
- Diameter: 35 mm

Available:

- in retail stores
- alternatively at Hansgrohe (article number 19994000)

Setting of the machine:

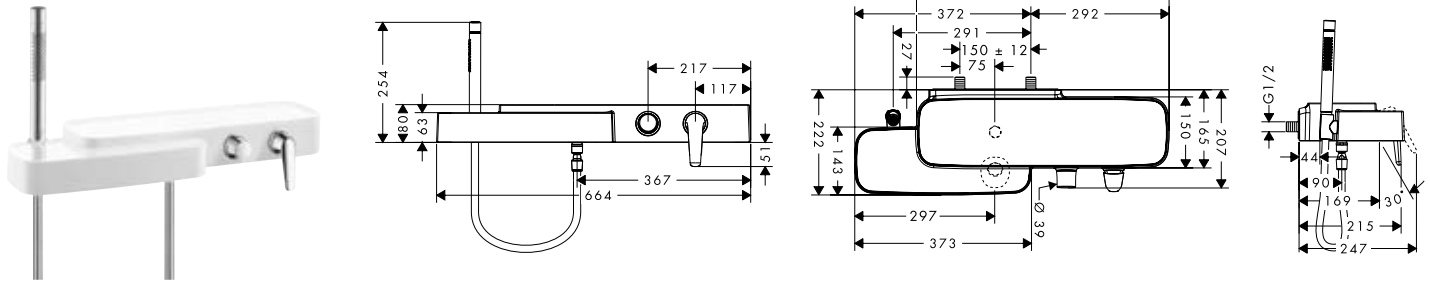
- the drill's percussion setting must be deactivated

## Cleaning recommendations

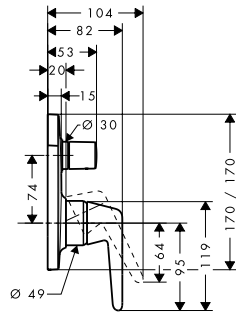
The wash basins should be cared for as follows:

- Only cleaners that are explicitly suitable for this purpose may be used.
- Cleaners that contain formic acid, chlorine bleach or acetic acid may not be used, since they can cause considerable damage.
- Use polish on the wash basin and wax it (car-care products may be used for this). With regular care, the wash basin will maintain its beauty for a long time.
- The wash basin should not be exposed to acids, drain pipe cleaner, hair dye or chlorine.
- Should the product for whatever reason be scratched or lose its shine, the above instructions on polishing and waxing should be followed.
- In addition, the Hansgrohe cleaning recommendations are to be followed (included with the product or available at [pro.hansgrohe.co.uk/cleaningrecommendation](http://pro.hansgrohe.co.uk/cleaningrecommendation))

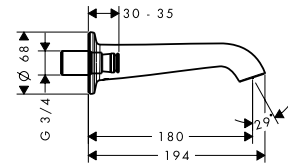
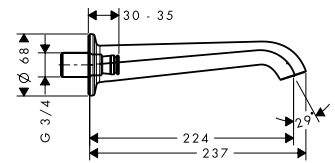
1



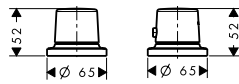
2



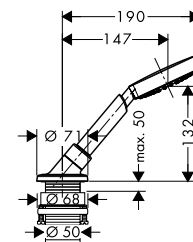
3



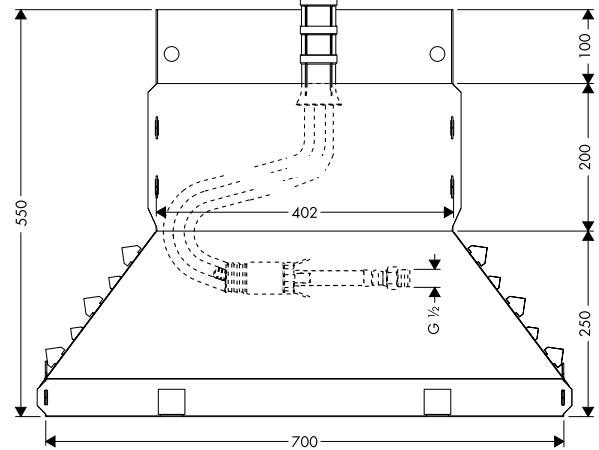
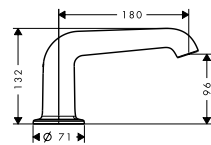
4



5



6



Bath

1 Single lever bath mixer, exposed installation  
**Ref.-no. 19420400**

2 Single lever bath mixer, concealed installation  
**Ref.-no. 19421000**  
Single lever bath mixer with safety combination,  
concealed installation  
**Ref.-no. 19422000**  
Basic set (not shown)  
**Ref.-no. 01800180**

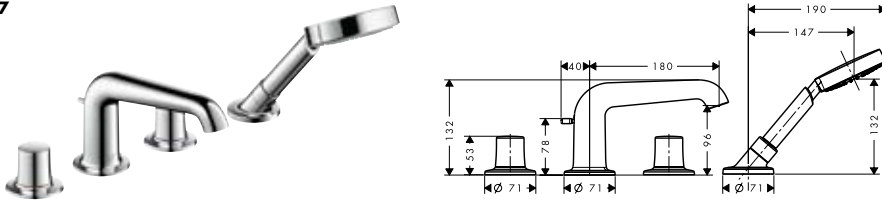
3 Bath spout for wall installation, 224 mm  
**Ref.-no. 19416000**  
Bath spout for wall installation, 180 mm  
**Ref.-no. 19415000**

4 2-hole rim-mounted thermostat  
**Ref.-no. 19432000**  
Basic set (not shown)  
**Ref.-no. 13550180**

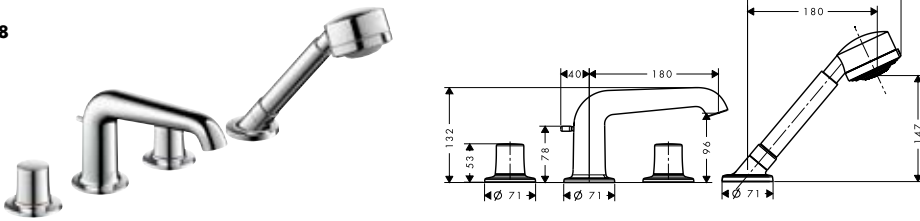
5 Secuflex rim-mounted set with hand shower  
**Ref.-no. 19418000**

6 Bath spout for rim-mounting  
**Ref.-no. 19417000**  
Basic set (not shown)  
**Ref.-no. 96125180**

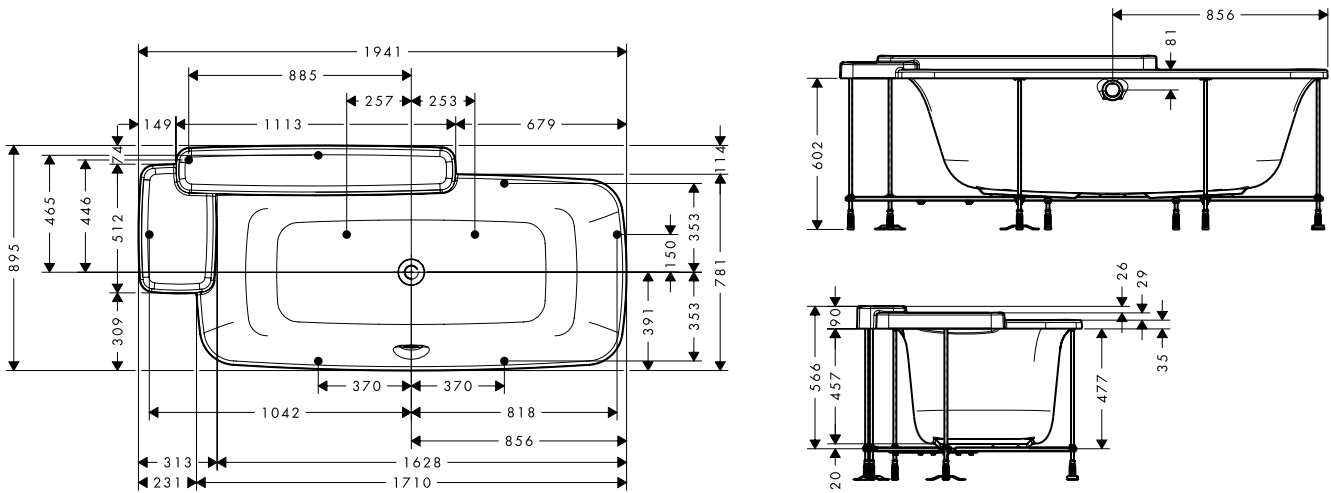
7



8



9



7 4-hole rim-mounted bath mixer

**Ref.-no. 19446000**

Basic set (not shown)

**Ref.-no. 13444180**

8 4-hole tile-mounted bath mixer

**Ref.-no. 19456000**

Basic set (not shown)

**Ref.-no. 14445180**

9 Built-in acrylic bath tub, capacity approx. 192 l

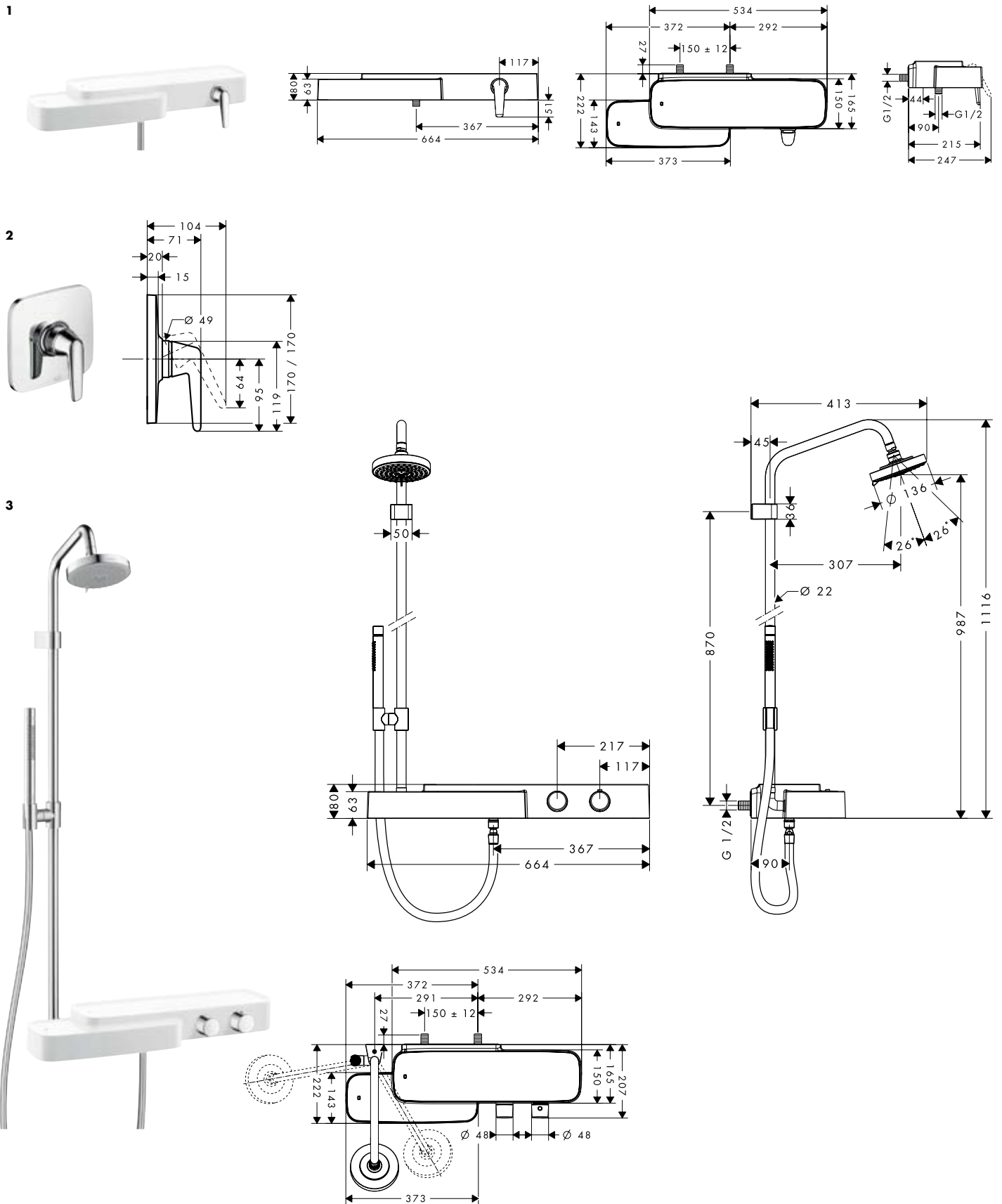
(one 70 kg person), weight incl. packaging 123 kg,

packaging size 2060 x 1030 x 980 mm

(Bath tub cradles included)

**Ref.-no. 19955000**

# Axor Bouroullec Shower

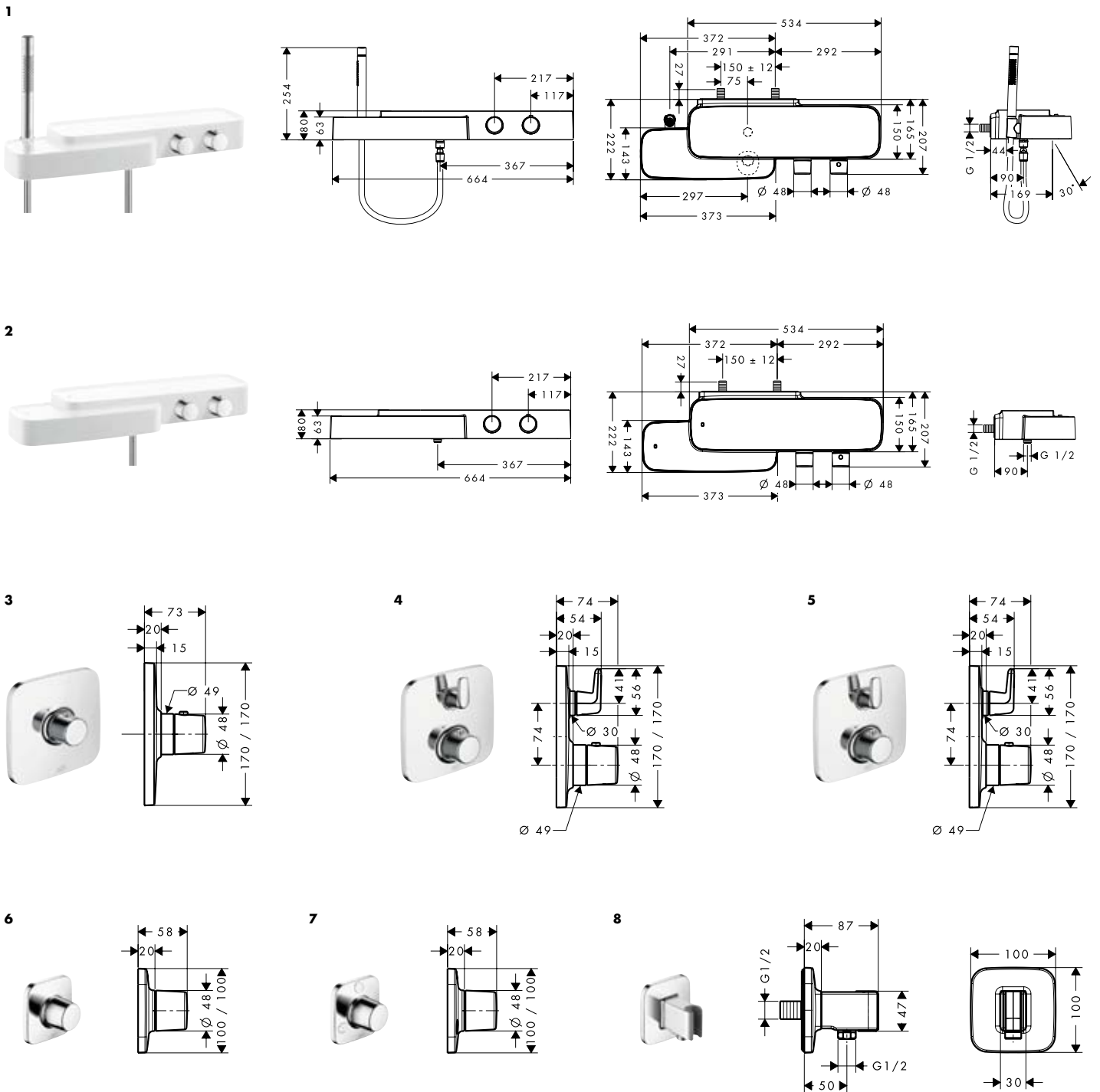


## Shower

**1** Single lever shower mixer, exposed installation  
**Ref.-no. 19620400**

**2** Single lever shower mixer, concealed installation  
**Ref.-no. 19621000**  
 Basic set (not shown)  
**Ref.-no. 01800180**

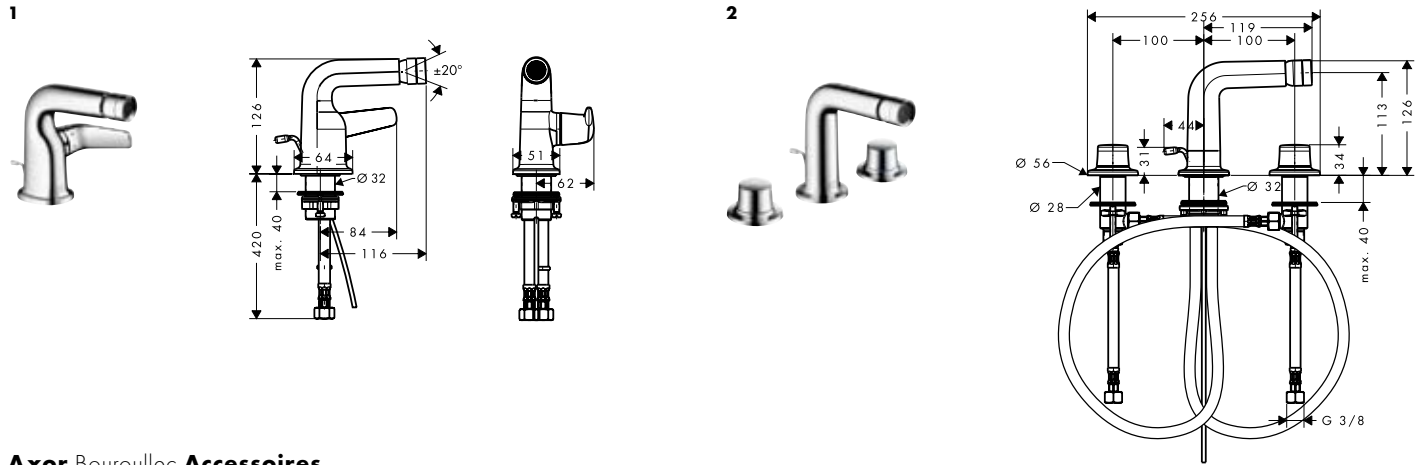
**3** Showerpipe with thermostatic  
**Ref.-no. 19670400**



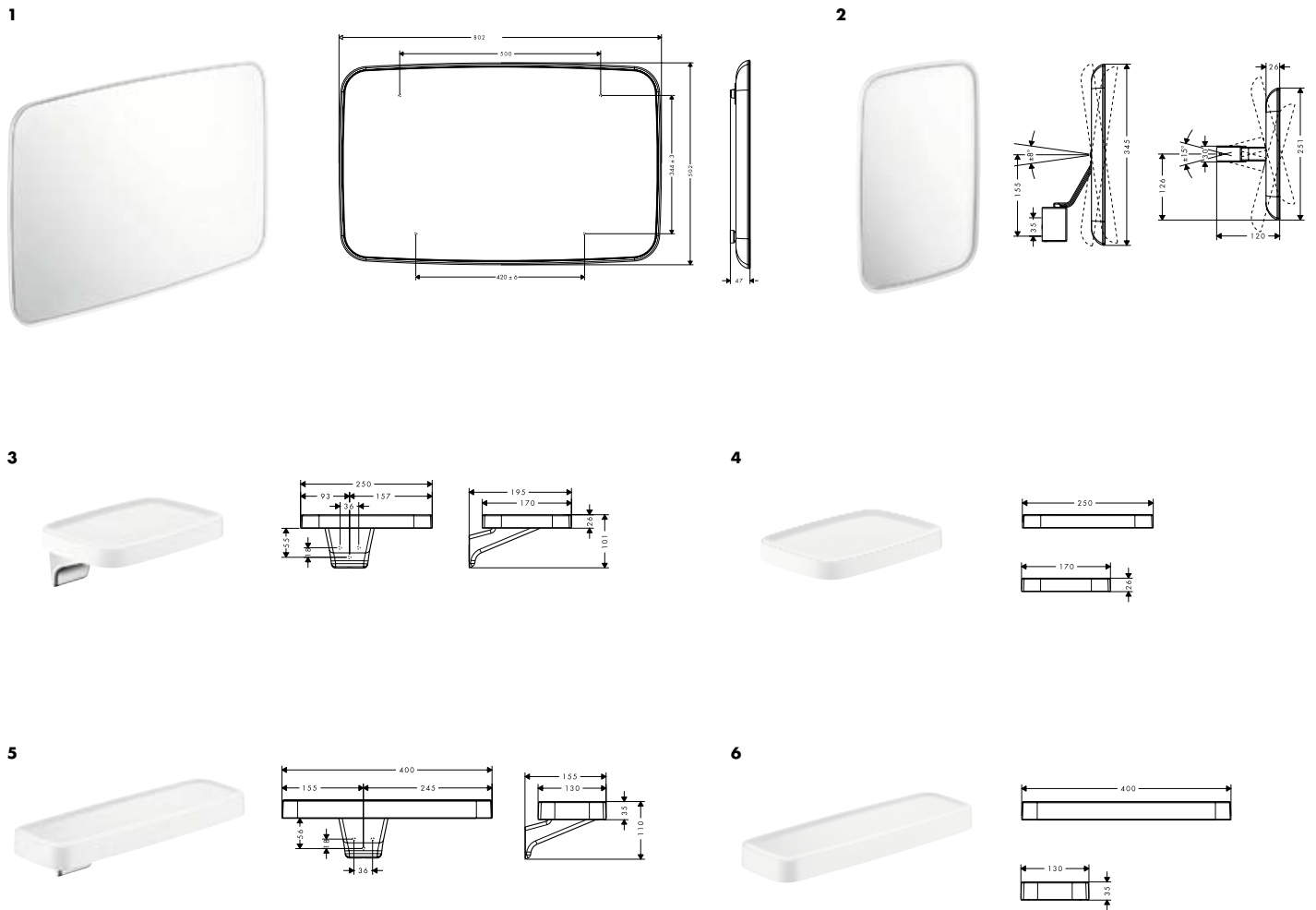
**Thermostat/Valves**

- 1** Bath thermostat, exposed installation  
**Ref.-no. 19741400**
- 2** Shower thermostat, exposed installation  
**Ref.-no. 19761400**
- 3** Thermostat, concealed installation  
**Ref.-no. 19700000**  
Highflow thermostat, concealed installation  
**Ref.-no. 19702000**  
Basic set (not shown)  
**Ref.-no. 01800180**
- 4** Thermostat, concealed installation, with shut-off valve  
**Ref.-no. 19704000**  
Basic set (not shown)  
**Ref.-no. 01800180**
- 5** Thermostat, concealed installation, with shut-off and diverter valve  
**Ref.-no. 19706000**  
Basic set (not shown)  
**Ref.-no. 01800180**
- 6** Shut-off valve, concealed installation  
**Ref.-no. 19971000**  
Spindle basic set, DN15 (not shown)  
**Ref.-no. 15973180**  
Ceramic basic set, DN15 (not shown)  
**Ref.-no. 15974180**  
Spindle basic set, DN20 (not shown)  
**Ref.-no. 15970180**
- 7** Trio/Quattro shut-off and diverter valve, concealed installation  
**Ref.-no. 19981000**  
Trio basic set (not shown)  
**Ref.-no. 15981180**  
Quattro basic set (not shown)  
**Ref.-no. 15930180**
- 8** Porter unit  
**Ref.-no. 19622000**

## Axor Bouroullec Bidet



## Axor Bouroullec Accessoires



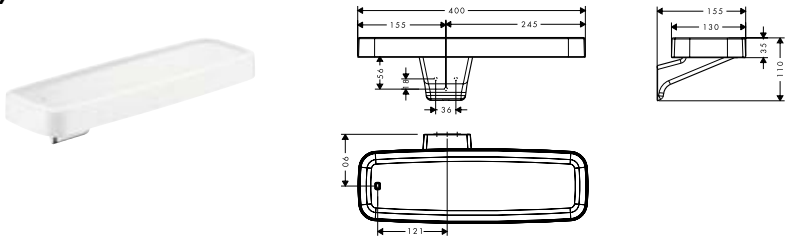
### Bidet

- 1 Single lever bidet mixer  
**Ref.-no. 19210000**
- 2 3-hole bidet mixer  
**Ref.-no. 19213000**

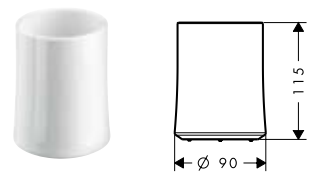
### Accessoires

- 1 Mirror, large, wall-mounted  
**Ref.-no. 42685000**
- 2 Mirror, small, wall-mounted  
**Ref.-no. 42681000**
- 3 Shelf 250 mm, wall-mounted  
**Ref.-no. 42671400**
- 4 Shelf 250 mm, free-standing  
**Ref.-no. 42673000**
- 5 Shelf 400 mm, wall-mounted  
**Ref.-no. 42670400**
- 6 Shelf 400 mm, free-standing  
**Ref.-no. 42672000**

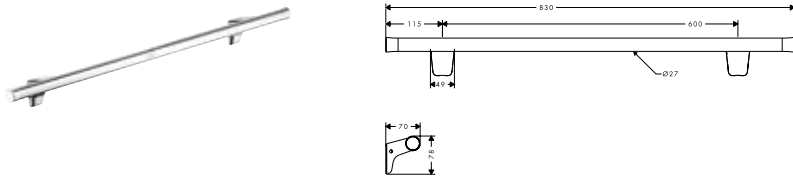
7



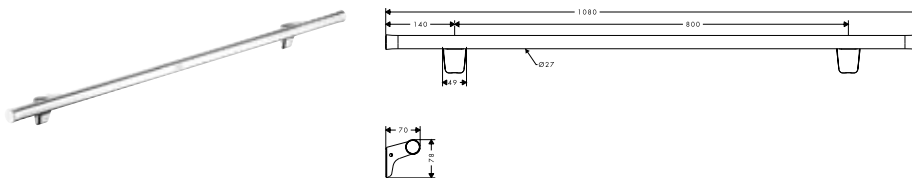
8



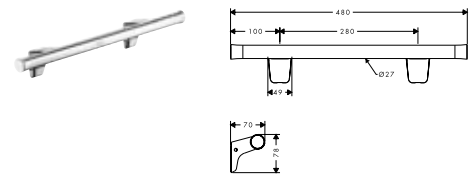
9



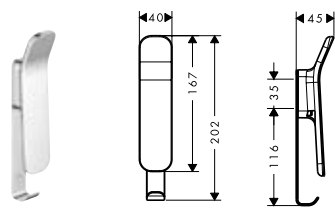
10



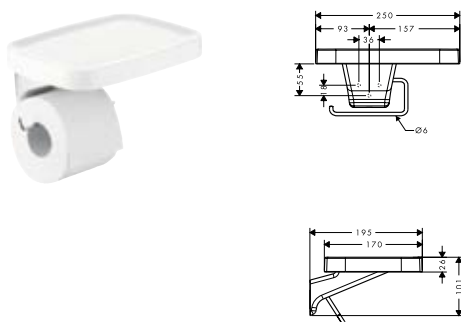
11



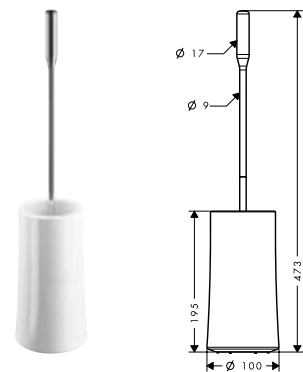
12



13



14



7 Shelf 400 mm, for the shower  
Ref.-no. 42669400

10 Bath towel holder, 800 mm  
Ref.-no. 42680000

13 Roll holder  
Ref.-no. 42636400

8 Toothbrush tumbler  
Ref.-no. 42634000

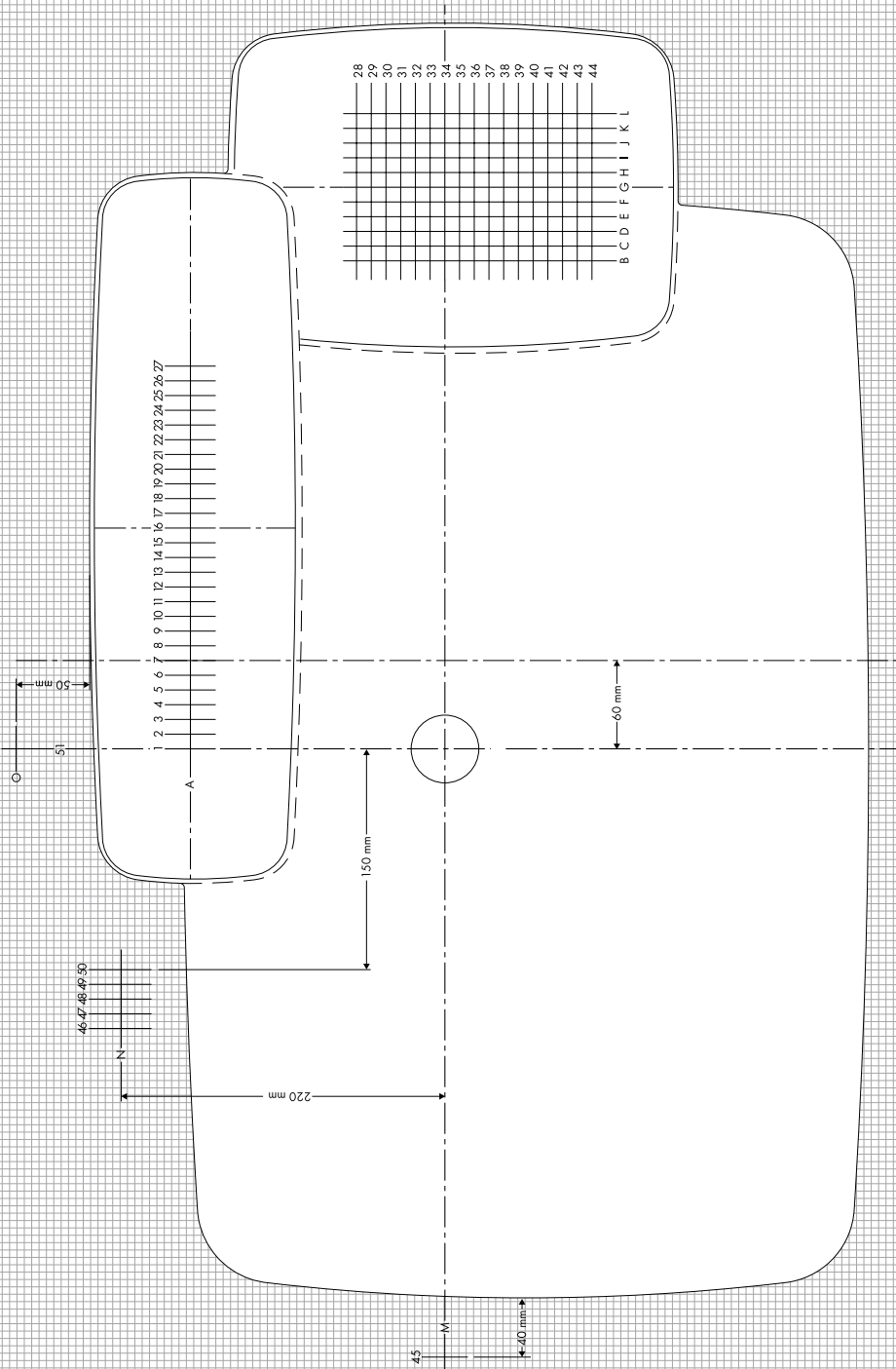
11 Grab bar  
Ref.-no. 42630000

14 Toilet brush holder  
Ref.-no. 42635400

9 Bath towel holder, 600 mm  
Ref.-no. 42660000

12 Double hook  
Ref.-no. 42601000



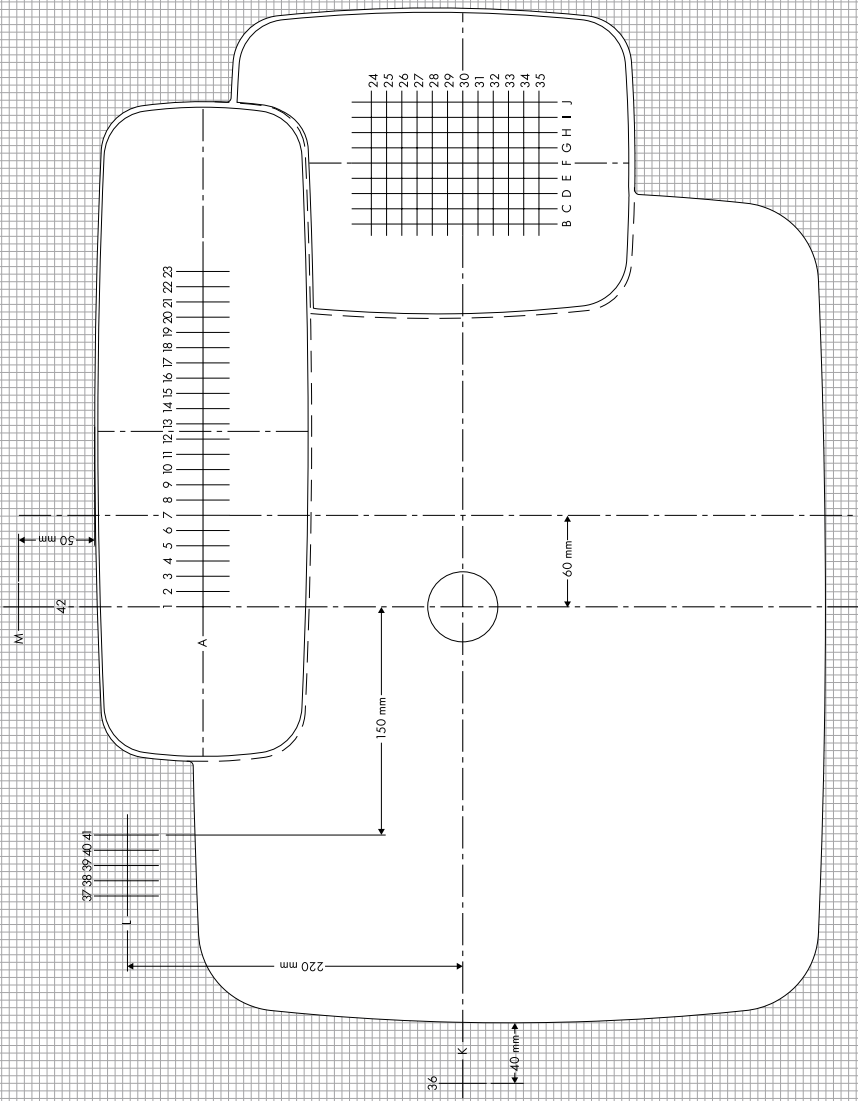


**Axor Bouroullec**  
 Wash basins 866 mm, 2 shelves  
 Ref.-no. 19943-XXX, Ref.-no. 19944-XXX  
 Scale 1:5

Planner: .....  
 Customer: .....  
 Date: .....  
 Signature: .....

Dimensions in mm	Spout 155*	Spout 195*	Wall spout 24.5*	A 1-27	A 1-27	A 1-27	A 1-27
<b>Shelf at back</b>	A 1-27	-	-	A 1-27	A 1-27	A 1-27	A 1-27
<b>Shelf at right</b>	C 28-44	C 28-44	-	B-L 28-44	B-J 30-42	C 28-44	C 28-44
<b>Deck</b>	-	M 45**, N 46-50***	-	**	-	-	-
<b>Wall</b>	-	-	M 45, O 51	-	-	-	-

\*Outer edge of the wash basin: Minimum distance 40 mm (from the centre of the spout/handle) \*\*Please take into account the handle positions for hot and cold water  
 \*\*\*Only possible for article no. 19943000 All dimensions and installation positions need to be checked before starting the installation. For positions beyond the wash basin: check technical feasibility with the furniture being used. Minimum distance between the individual elements: see scale drawings of mixers.



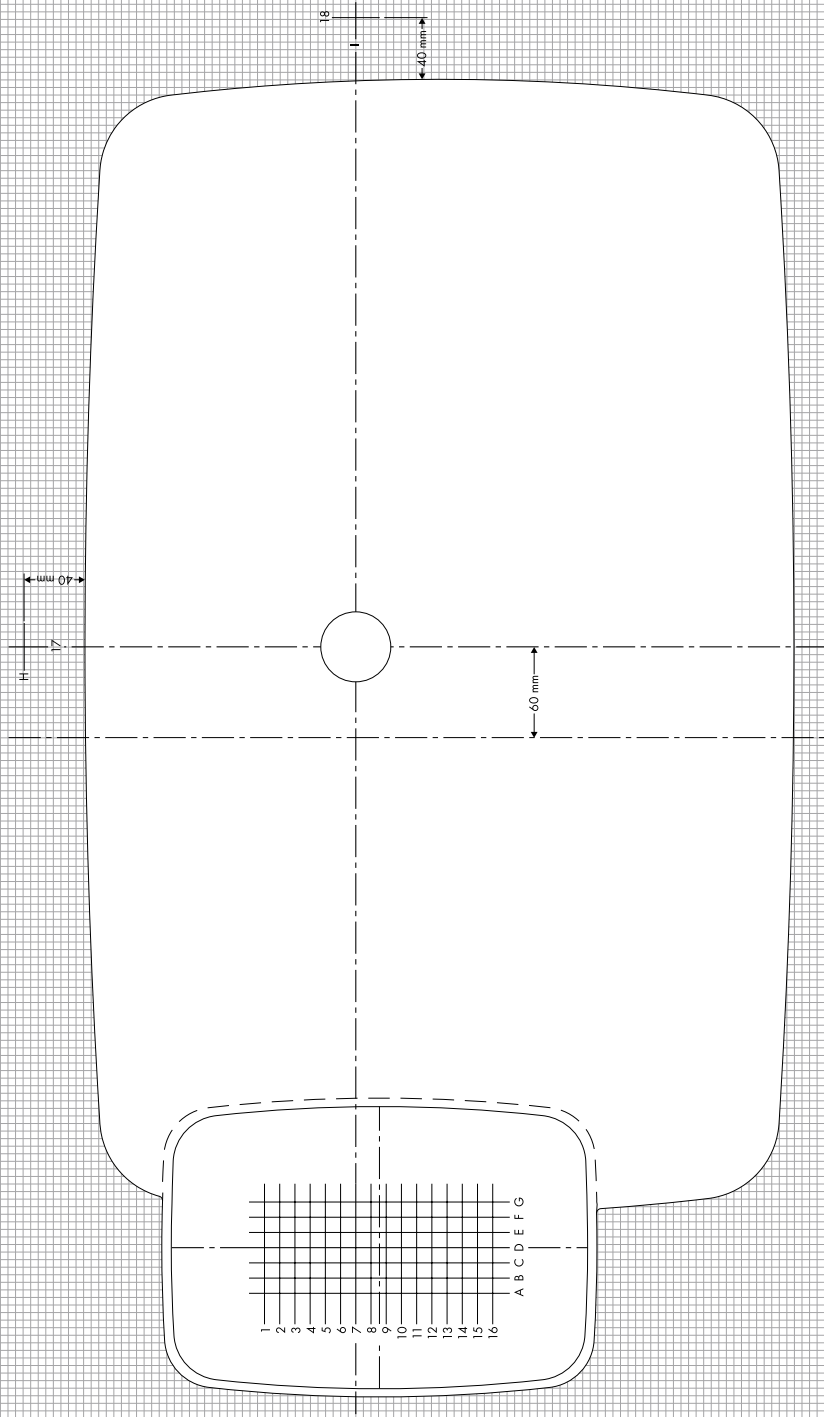
## Axor Bourullec

Wash basins 666 mm, 2 shelves  
 Ref.-no. 19941-XXX, Ref.-no. 19942-XXX  
 Scale 1:5

Planner: .....  
 Customer: .....  
 Date: .....  
 Signature: .....

Dimensions in mm	Spout 155	Spout 195*	Wall spout 245	*
<b>Shelf at back</b>	<b>A 1-20</b>	<b>A 1-23</b>	<b>A 1-23</b>	<b>A 1-20</b>
<b>Shelf at right</b>	<b>C 24-35</b>	<b>B-J 24-35</b>	<b>B-H 25-33</b>	<b>C 24-35</b>
<b>Deck</b>	-	<b>K 36**, L 37-41***</b>	-	-
<b>Wall</b>	-	<b>K 36, M 42</b>	-	-

\*Outer edge of the wash basin: Minimum distance 40 mm (from the centre of the spout/handle) \*\*Please take into account the handle positions for hot and cold water \*\*\*Only possible for article no. 19941000 All dimensions and installation positions need to be checked before starting the installation. For positions beyond the wash basin: check technical feasibility with the furniture being used. Minimum distance between the individual elements: see scale drawings of mixers.



## Axor Bouroullec

Wash basins 866 mm, 1 shelf  
 Ref.-no. 19945-XXX, Ref.-no. 19946-XXX  
 Scale 1:5

Planner: .....

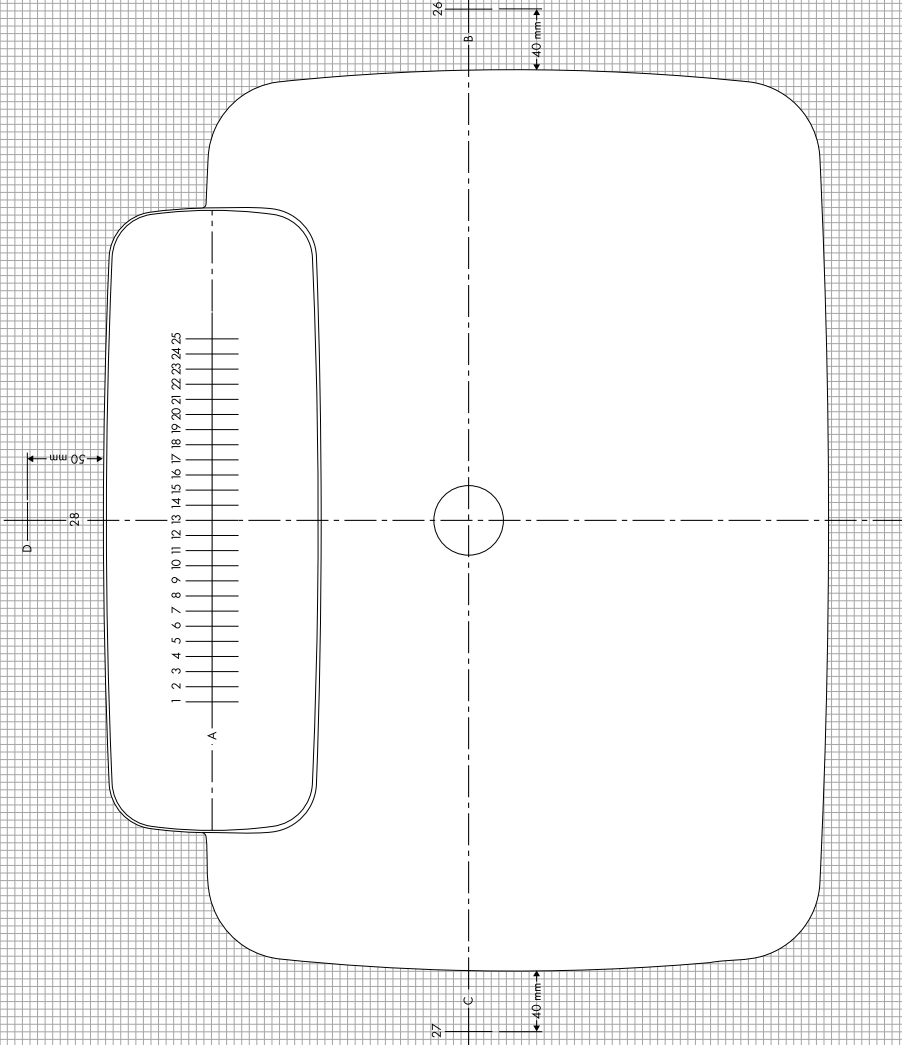
Customer: .....

Date: .....

Signature: .....

Dimensions in mm	Spout 155	Spout 195*	Deck 245			
<b>Shelf at left</b>	<b>G 3-15</b>	<b>G 3-15</b>	-	<b>A-G 1-16</b>	<b>B-G 3-15</b>	-
<b>Deck</b>	-	<b>H 17**</b> , <b>I 18***</b>	-	-	**	-
<b>Wall</b>	-	-	<b>H 17, I 18</b>	-	-	-

\*Outer edge of the wash basin: Minimum distance 40 mm (from the centre of the spout/handle) \*\*Please take into account the handle positions for hot and cold water \*\*\*Only possible for article no. 19945000 All dimensions and installation positions need to be checked before starting the installation. For positions beyond the wash basin: check technical feasibility with the furniture being used. Minimum distance between the individual elements: see scale drawings of mixers.



## Axor Bouroullec

Wash basins 595 mm, 1 shelf  
 Ref.-no. 19947-XXX, Ref.-no. 19948-XXX  
 Scale 1:5

Planner: .....

Customer: .....

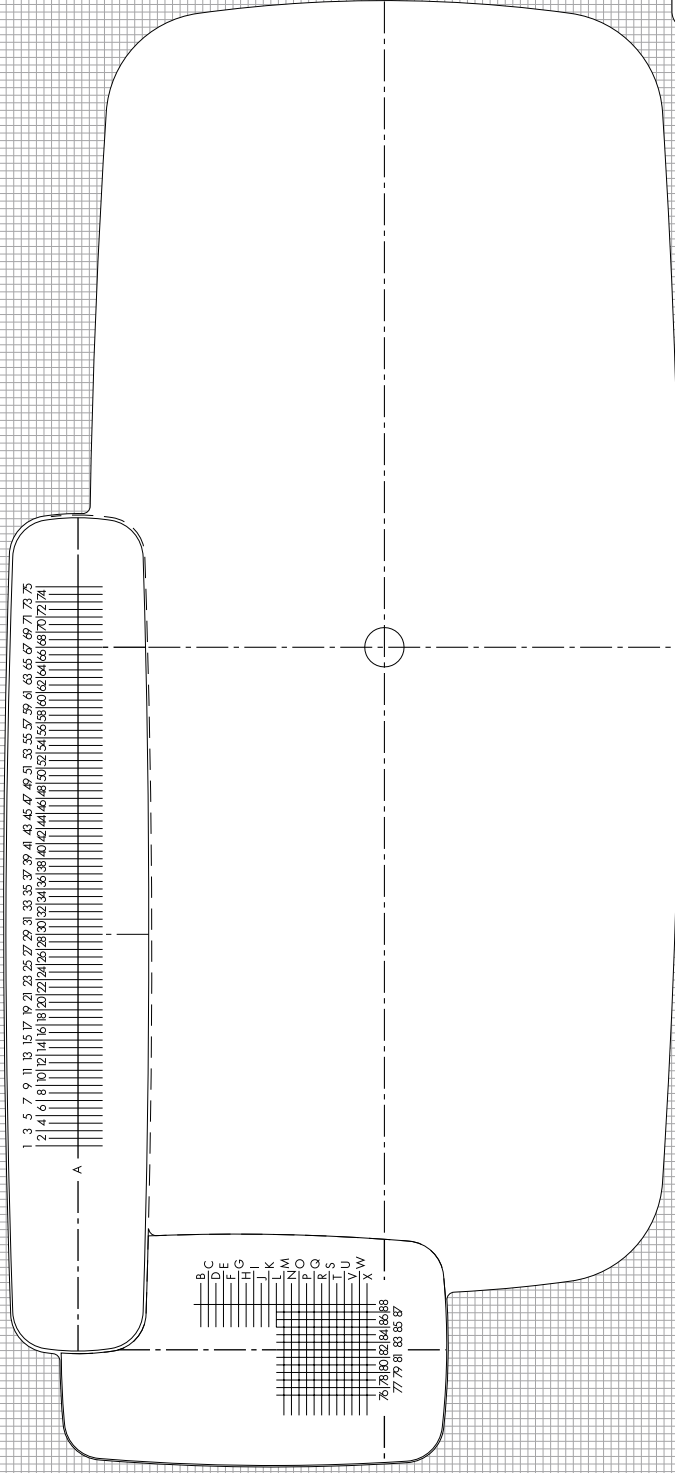
Date: .....

Signature: .....



Dimensions in mm	Spout 195*	Deck 245	*	*	*	*
<b>Shelf at back</b>	<b>A 1-25</b>	-	<b>A 1-25</b>	<b>A 1-25</b>	<b>A 1-25</b>	<b>A 1-25</b>
<b>Deck</b>	-	<b>B 26**, C 27***</b>	-	-	**	-
<b>Wall</b>	-	-	<b>B 26, C 27, D 28</b>	-	-	-

\*Outer edge of the wash basin: Minimum distance 40 mm (from the centre of the spout/handle) \*\*Please take into account the handle positions for hot and cold water \*\*\*Only possible for article no. 19947000 All dimensions and installation positions need to be checked before starting the installation. For positions beyond the wash basin: check technical feasibility with the furniture being used. Minimum distance between the individual elements: see scale drawings of mixers.



**Axor Bouroullec**  
 Built-in bath tub  
 Ref.-no. 19955000  
 Scale 1:10

Planner: .....  
 Customer: .....  
 Date: .....  
 Signature: .....

Dimensions in mm			
<b>Shelf at back</b>	<b>A 20-67</b>	<b>A 20-75*</b>	<b>A 1-75*</b>
<b>Shelf at left</b>	-	<b>M-X 76-88*</b>	<b>B-X 86-88*</b>
<b>Tile-mounting</b>	<b>possible</b>	-	-
<p>* Minimum distance between the elements 110 mm (from the centre of the spout/handle)/ Only possible for article no. 19955000. All dimensions and installation positions need to be checked before starting the installation. The seating position in the bath tub must be factored in when determining the position of the elements.</p>			



**United Kingdom** - Hansgrohe Limited · Units D1 and D2 · Sandown Park Trading Estate · Royal Mills Esher · Surrey · KT10 8BL · Tel. +44 (0) 1372 465 655 · Fax +44 (0) 1372 470 670  
enquiries@hansgrohe.co.uk · www.hansgrohe.co.uk · www.axor-design.com



This brochure was produced by a FSC-certified printing company in the most environmentally friendly way possible. By changing over to UPM Finesse Silk paper, we were able to reduce the CO<sub>2</sub> emissions for the production process by more than 30% compared to previous brochures. You too can contribute to the protection of our environment by passing on this brochure to others when you've finished reading it, or by recycling it.

**AXOR**<sup>®</sup>  
hansgrohe

Axor-Hansgrohe AG · P.O. Box 1145 · D-77757 Schiltach · Telephone +49 7836 51-0  
Fax +49 7836 51-1300 · info@axor-design.com · www.axor-design.com

en-LJK-Axor Bouroullec Professional Brochure · Form-Nr. 84.090.332 · 12/10/06 · Subject to technical alterations **Concept & graphic design** bilekjaeger, Stuttgart  
**Bathroom planning** Ronan & Erwan Bouroullec, Paris; krödinglütke, Hamburg; fön design, Schramberg **Photography** Tahon & Bouroullec; Kuhnle+Knödler, Radolfzell;  
Uli Mater, Stuttgart **Thanks to** Burgbad, Duravit, GranitFandre, Ideal Standard, Keramag, Laufen, Royal Mosa

