



Hansgrohe
Technical information

Planning and installation with new Rainmaker® Select range

A new dimension in showering



UNIDOMO®

Web: www.unidomo.de

Telefon: 04621- 30 60 89 0

Mail: info@unidomo.com

Öffnungszeiten: Mo.-Fr. 8:00-17:00 Uhr

VIESSMANN

Buderus

 **Vaillant**

WOLF

 **JUNKERS**  **BOSCH**

 **remeha**

 **DAIKIN**

ROTEX

a member of DAIKIN group



-  Individuelle Beratung
-  Kostenloser Versand
-  Hochwertige Produkte

-  Komplettpakete
-  Über 15 Jahre Erfahrung
-  Markenhersteller

Contents

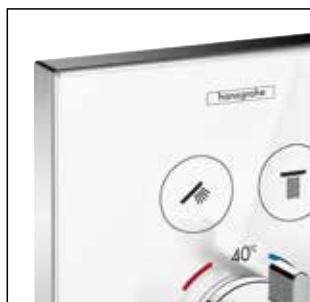
4	Overview of installation options
6	Installation with 2 functions
10	Installation with 3 functions
14	Installation with 4 functions
20	Rainmaker® Select 460 overhead shower, wall and ceiling mounting
22	Rainmaker® Select 580 wall mounting and ShowerTablet® Select 700 installation
24	iBox® universal installation – Benefits and mounting
28	RainBrain® installation – Shower control via touch screen
36	Installation of Showerpipes
42	Installation on the bath
45	Outflow systems
46	Range of overhead showers, hand showers and surface-mounted thermostats
48	Range of Showerpipes
50	Range of concealed thermostats, mixers and valves

Rainmaker® Select: Superior solutions for evolved tastes

A clear trend is becoming obvious in the modern bathroom: the shower area is becoming bigger and the focal point of the bathroom. At the same time, the desire for beauty and comfort is growing. The new Rainmaker Select range lets you meet the increased requirements of your customers. Generous glass surfaces are ideal for elegant designs, whether on overhead showers or surface-mounted or concealed controls. At the same time, the high-quality glass presents not only a coordinated look, but also a convincing range of functional benefits like hygiene, scratch resistance and easy cleaning.



The Rainmaker Select range is a fascinating collection of innovative solutions, like the first surface-mounted thermostat that controls a single-spray overhead shower via a concealed installation.



The gleaming aesthetics of the glass surface are accentuated by the highest manufacturing quality. Every single spray opening is precision-cut with a laser.

Showering pleasure has many facets

From Showerpipes as simple surface-mounted solutions recommended for easy renovations to individual systems with large, multi-spray overhead showers – the Hansgrohe world of showering systems provides the right solution for every one of your customers requirements.

This brochure contains all of the technical information you will need to handle shower systems: Measurements, flow diagrams, and planning and installation instructions including installation tips from our technicians. The Hansgrohe products presented in this brochure serve as examples only and can be substituted for alternative products from the Hansgrohe range. Please follow their installation instructions at all times.



Surface-concealed installation of 2 functions, e.g.: Rainmaker Select 460 1jet overhead shower with Raindance Select S 120 3jet hand shower, ShowerTablet Select 700 surface-mounted thermostat, p. 8



Concealed installation of 2 functions, e.g.: Rainmaker Select 300 1jet overhead shower with Raindance Select S 120 3jet hand shower, ShowerSelect glass concealed thermostat, p. 9



Installation of 3 functions, e.g.: Rainmaker Select 460 2jet overhead shower with Raindance Select S 120 3jet hand shower, ShowerSelect glass concealed thermostat and valve, p. 12



Installation of 4 functions, e.g.: Rainmaker Select 580 3jet overhead shower with Raindance Select S 120 3jet hand shower, ShowerSelect glass concealed thermostat and valve, p. 16



Installation of Showerpipe, ideal for renovations, e.g.: Rainmaker Select 460 3jet Showerpipe, p. 38



Installation of bath, e.g.: ShowerTablet Select 700 surface-mounted bath thermostat with Raindance Select S 120 3jet hand shower, p. 44

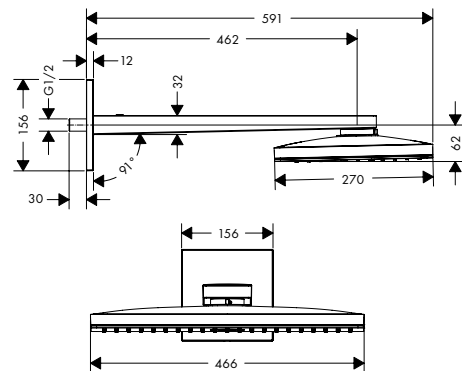


Installation with 2 functions

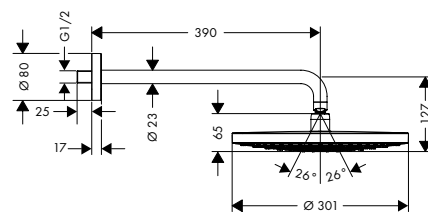
The innovative way to regulate pleasure: The new ShowerTablet Select 700 presents an all new form of installation: the surface-concealed installation.

Here, the 1jet overhead shower is controlled through a concealed line from the surface-mounted thermostat. The overhead shower can then be placed anywhere in the shower area.

Rainmaker® Select 460 1jet overhead shower



Raindance® Select S 300 2jet overhead shower





Rainmaker® Select 460 1jet

Components

Mixers

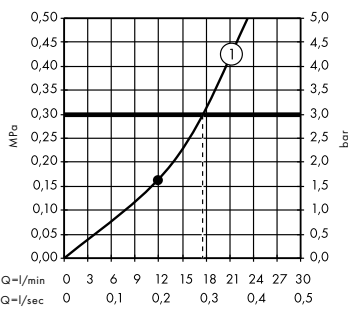
- Ⓑ ShowerTablet Select 700 thermostat # 13184, -400

Showers

- Ⓐ Rainmaker Select 460 1jet overhead shower # 24003, -400
- Ⓒ Raindance Select S 120 3jet hand shower # 26530, -400
Porter'S shower holder # 28331, -000
- Ⓓ Isiflex shower hose # 28276, -000
- Ⓔ Raindrain XXL waste system # 60067, -000

Flow diagram

Rainmaker Select 460 1jet overhead shower # 24003, -400

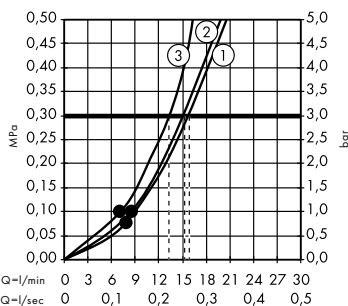


Legend

- ① Rain XL

Flow diagram

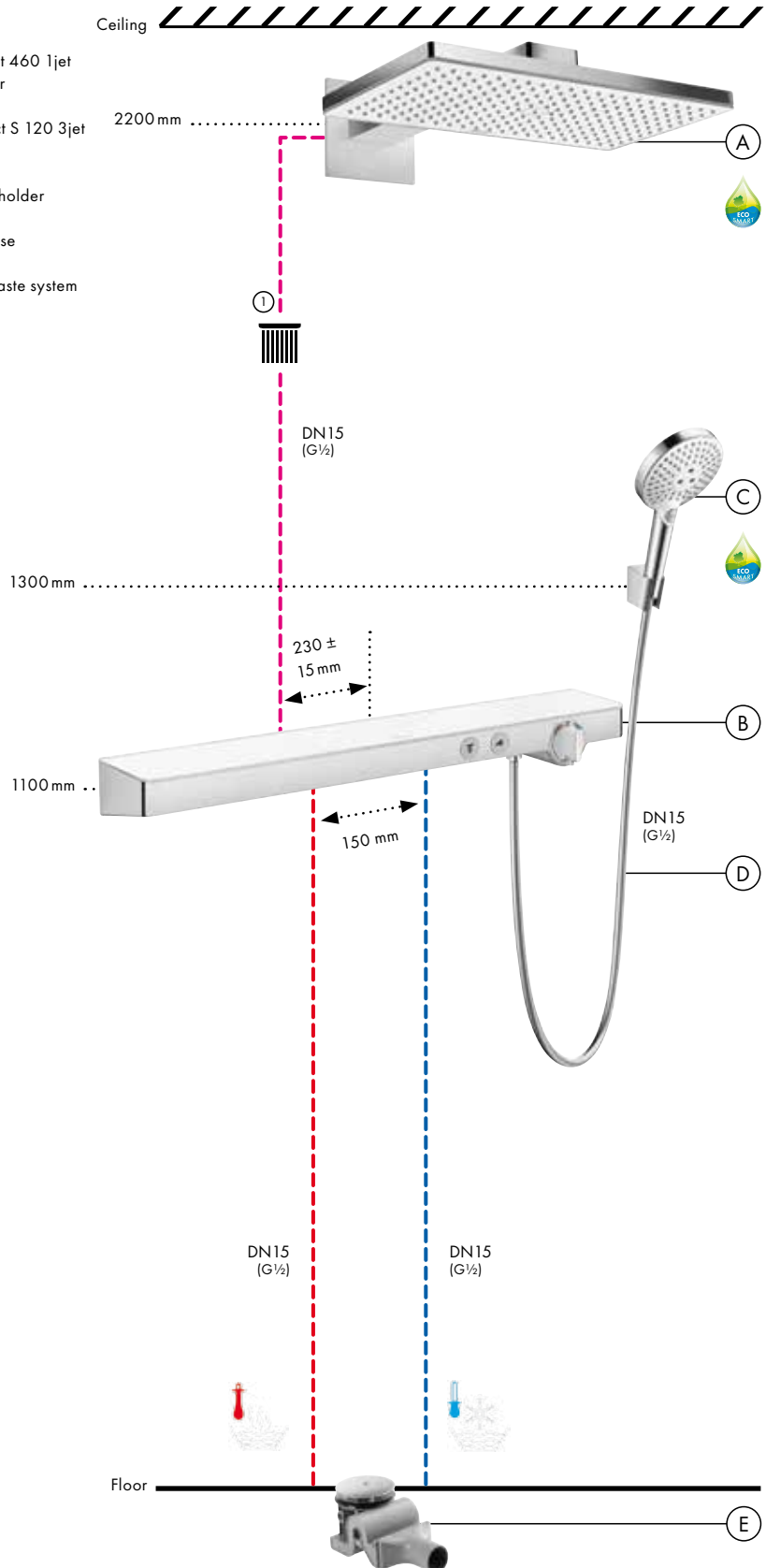
Raindance Select S 120 3jet hand shower # 26530, -400



Legend

- ① RainAir
- ② Rain
- ③ Whirl

• denotes minimum operating pressure



Raindance® Select S 300 2jet



Components

Mixers

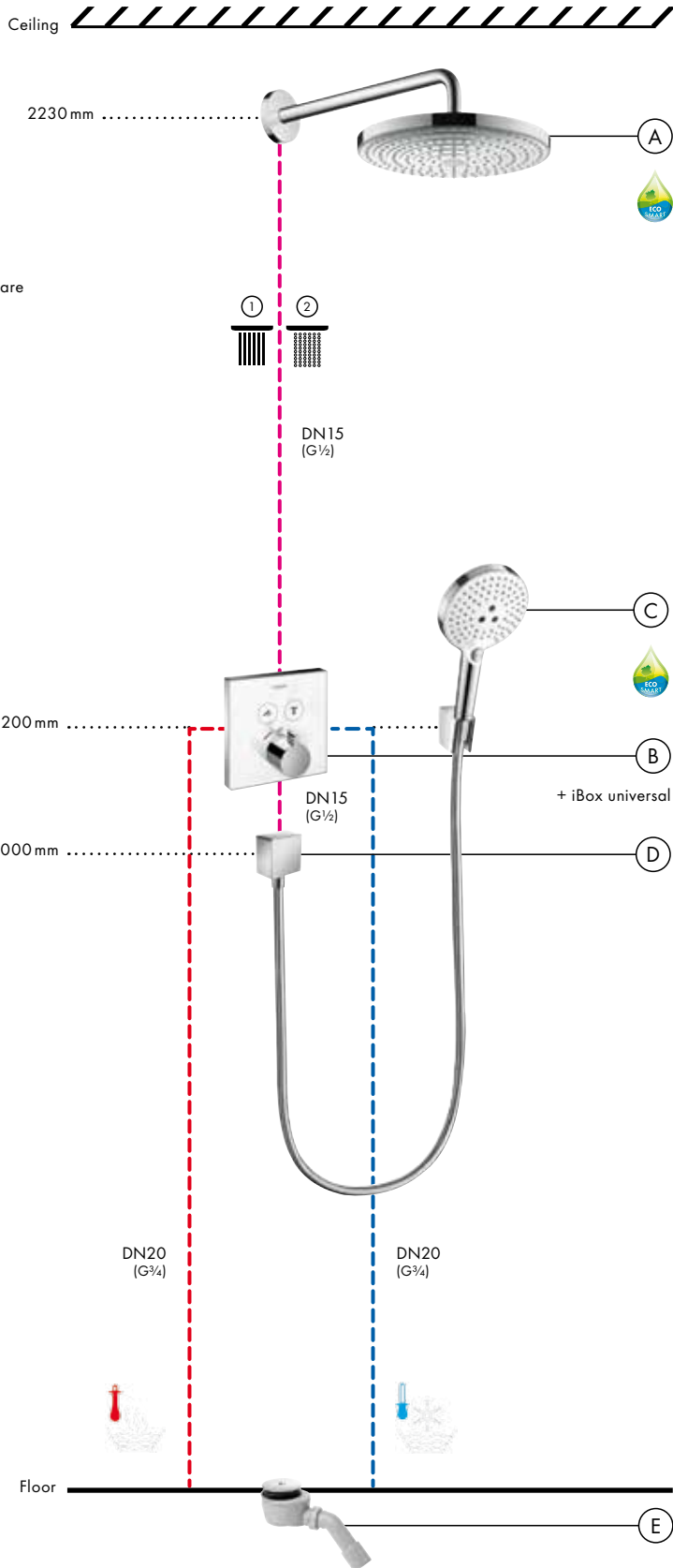
- Ⓑ Basic set iBox universal
01800180
ShowerSelect glass thermostat
for 2 functions
15738, -400

Alternative:

- ShowerSelect S thermostat
15743, -000
- Mixer ShowerSelect
15768, -000
- Mixer ShowerSelect S
15748, -000
- Ecostat E thermostat
15708, -000
- Ecostat S thermostat
15758, -000

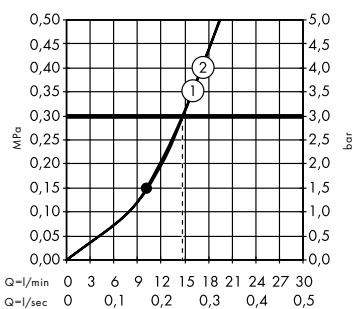
Showers

- Ⓐ Raindance Select S 300 2jet
overhead shower
27378, -000
- Ⓒ Raindance Select S 120 3jet
hand shower
26530, -000
Porter'S shower holder
28331, -000
Isiflex shower hose
28276, -000
- Ⓓ Shower connection Fixfit Square
26455, -000
- Ⓔ Staro 90 waste system
60056, -000



Flow diagram

Raindance Select S 300 2jet overhead shower
27378, -000

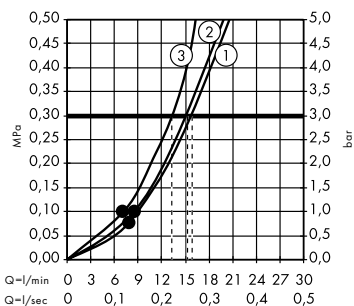


Legend

- ① Rain
- ② RainAir

Flow diagram

Raindance Select S 120 3jet hand shower
26530, -000



Legend

- ① RainAir
- ② Rain
- ③ Whirl

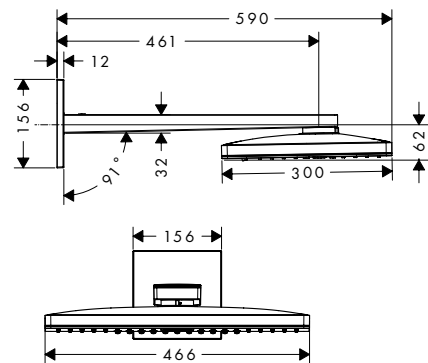
• denotes minimum operating pressure



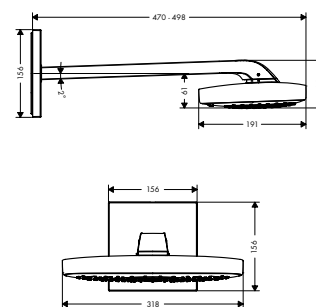
Installation with 3 functions

Highlights of form and function: Showering should be a pleasure for the whole body. Whatever your customer is looking for, our overhead showers can fulfil their wishes and with Select technology choosing their favourite spray pattern is effortless at the touch of a button. But for a shower to be totally luxurious, it also has to look good. The combination of Rainmaker Select overhead showers and ShowerSelect glass finish sets is the perfect eye-catcher. Design language and materials match each other perfectly. For a truly delightful, holistic showering experience.

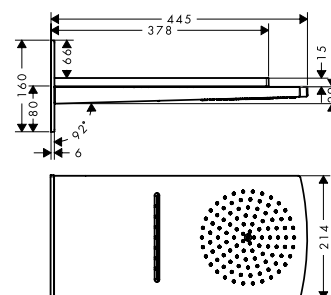
Rainmaker® Select 460 2jet overhead shower



Raindance® Select E 300 3jet overhead shower



Raindance® Rainfall® 180 Air 2jet overhead shower



Rainmaker® Select 460 2jet

Components

Mixers

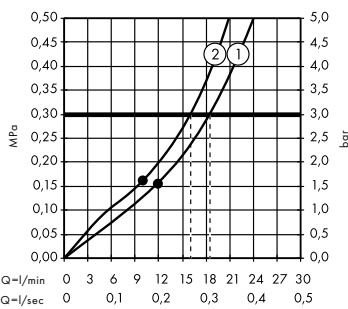
- Ⓒ Basic set iBox universal
01800180
Valve ShowerSelect for 3 functions
15736, -400
- Ⓓ Basic set iBox universal
01800180
Highflow ShowerSelect glass
thermostat
15734, -400

Showers

- Ⓐ Basic set iBox universal
01800180
Rainmaker Select 460 2jet
overhead shower
24005, -400
- Ⓑ Raissance Select S 120 3jet
hand shower
26530, -400
Shower holder/Shower connection
Fixfit/Porter Square
26486, -000
Isiflex shower hose
28276, -000
- Ⓔ Raindrain XXL waste system
60067, -000

Flow diagram

Rainmaker Select 460 2jet overhead shower
24005, -400

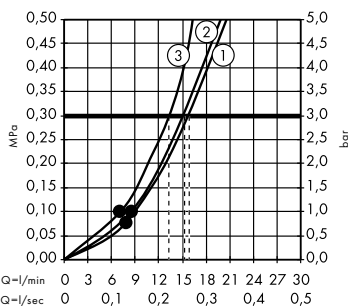


Legend

- ① Rain XL
- ② RainStream

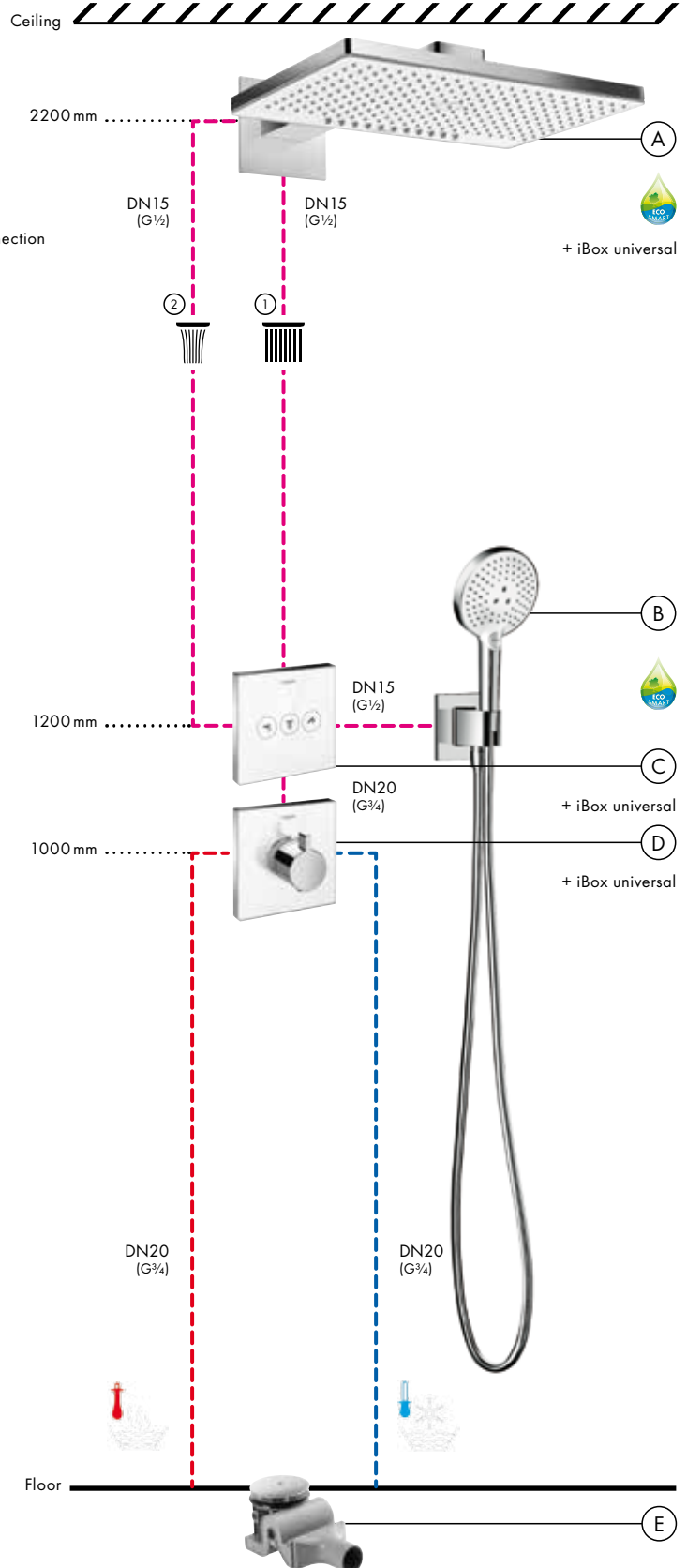
Flow diagram

Raissance Select S 120 3jet hand shower
26530, -400



Legend

- ① RainAir
- ② Rain
- ③ Whirl



• denotes minimum operating pressure

Raindance® Select E 300 3jet

3 functions

Components

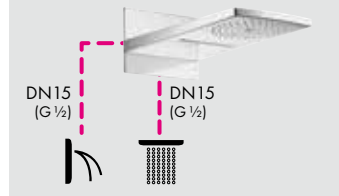
Mixers

- Ⓒ Basic set iBox universal
01800180
Valve ShowerSelect for 3 functions
15764, -000
- Ⓓ Basic set iBox universal
01800180
Highflow ShowerSelect Thermostat
15760, -000

Showers

- Ⓐ Basic set iBox universal
01800180
Raindance Select E 300 3jet
overhead shower
26468, -000

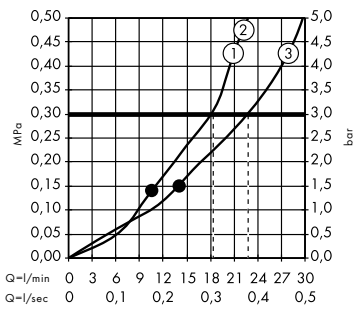
Alternative:
Raindance Rainfall 2jet
Overhead shower
28433, -000



- Ⓑ Raindance Select S 120 3jet
hand shower
26530, -400
Shower holder/Shower connection
Fixfit/Porter Square
26486, -000
Isiflex shower hose
28276, -000
- Ⓔ Raindrain XXL waste system
60067, -000

Flow diagram

Raindance Select E 300 3jet
overhead shower
26468, -000

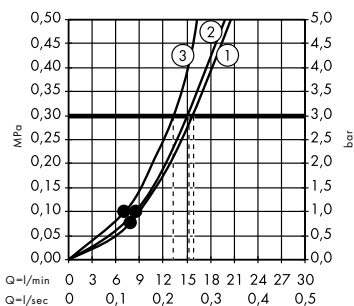


Legend

- ① Rain
- ② RainAir
- ③ RainStream

Flow diagram

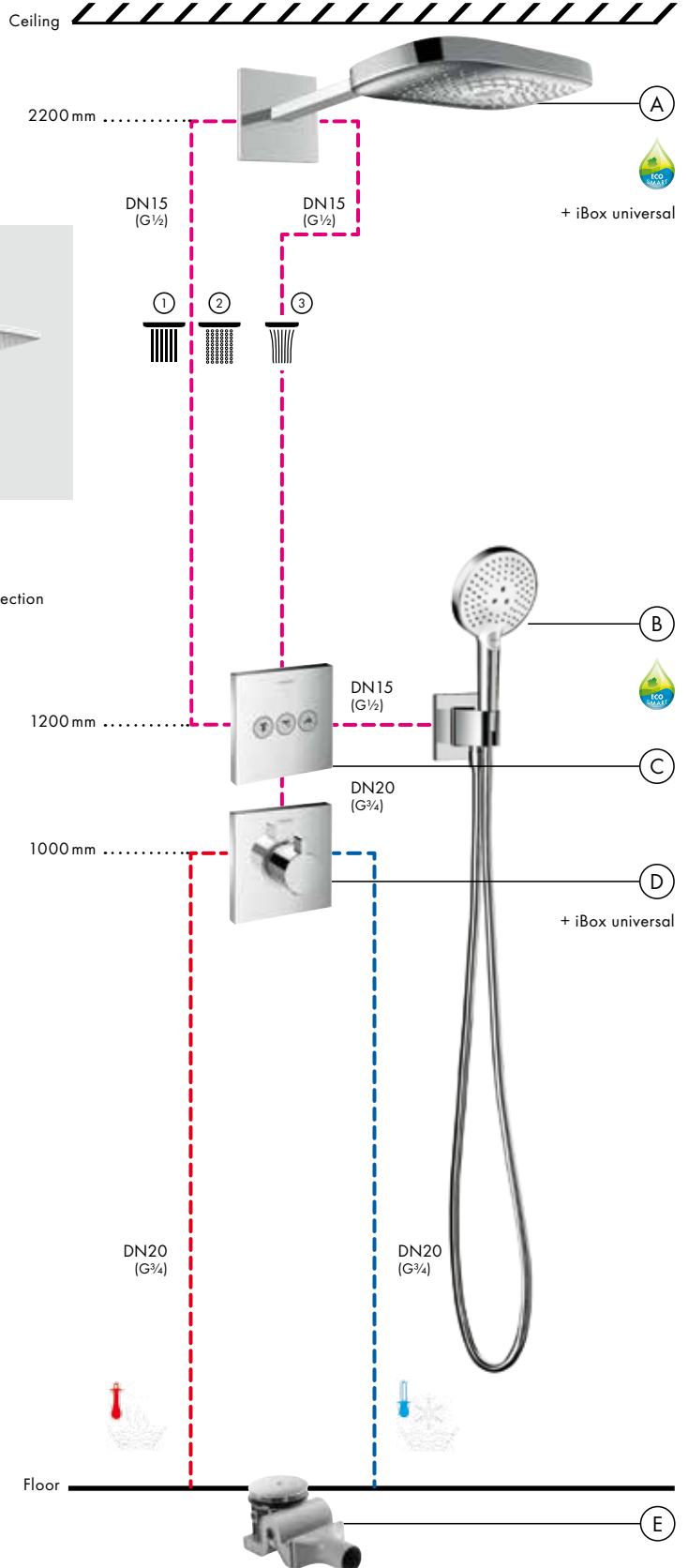
Raindance Select S 120 3jet hand shower
26530, -400

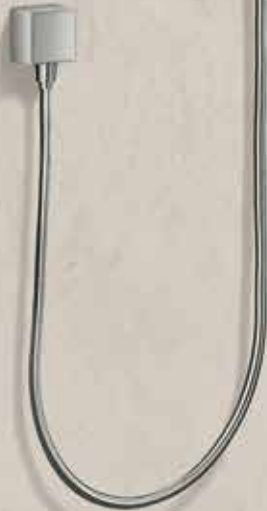


Legend

- ① RainAir
- ② Rain
- ③ Whirl

• denotes minimum operating pressure

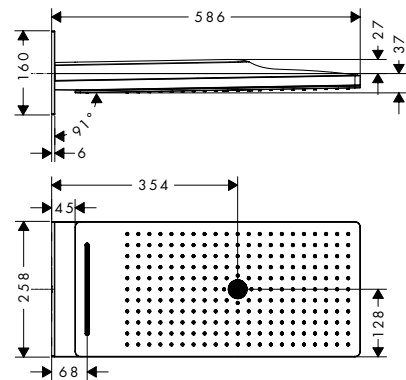




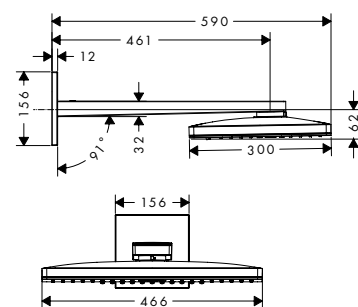
Installation with 4 functions

That extra portion of showering pleasure: The size of the overhead shower and the type of water spray – these factors are crucial to the individual showering experience. These exceptional 3jet overhead showers are setting new standards in all respects. With diverse rain sprays, whirl sprays, the RainFlow flood spray, or the fine RainStream with 11 parallel sprays, they are ideal for any showering type. And spray faces up to 580 mm wide envelop the whole body in droplets. For the complete well being of your customers.

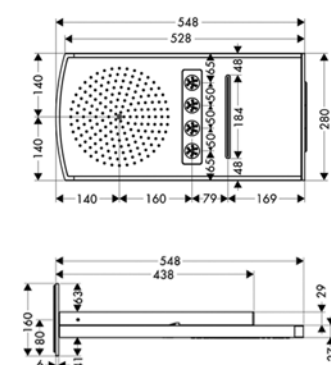
Rainmaker® Select 580 3jet overhead shower



Rainmaker® Select 460 3jet overhead shower



Raindance® Rainfall® 240 Air 3jet overhead shower





Rainmaker® Select 580 3jet

Components

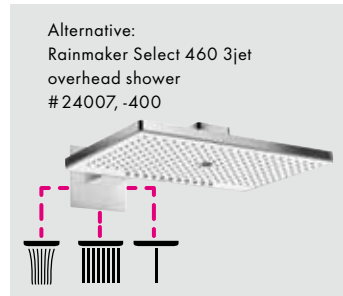
Mixers

- Ⓒ Basic set iBox universal
01800180
Valve ShowerSelect glass
for 3 functions
15736, -400
- Ⓓ Basic set iBox universal
01800180
Highflow Thermostat ShowerSelect
glass for 1 function (top) and one
additional function (bottom)
15735, -400

Alternative:
Valve ShowerSelect for 3 functions
15764, -000
Highflow ShowerSelect thermostat
for 1 function (top) and one
additional function (bottom)
15761, -000

Showers

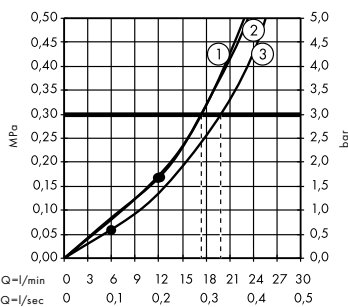
- Ⓐ Basic set iBox universal
01800180
Rainmaker Select 580 3jet
overhead shower
24001, -400



- Ⓑ Raindance Select S 120 3jet
hand shower
26530, -400
Porter'S shower holder
28331, -000
Isiflex shower hose
28276, -000
- Ⓔ Shower connection Fixfit Square
26455, -000
- Ⓕ Raindrain XXL waste system
60067, -000

Flow diagram

Rainmaker Select 580 3jet
overhead shower
24001, -400

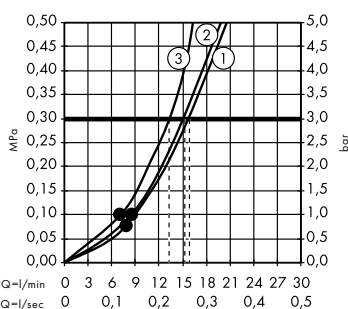


Legend

- ① Rain XL
- ② RainFlow
- ③ Mono

Flow diagram

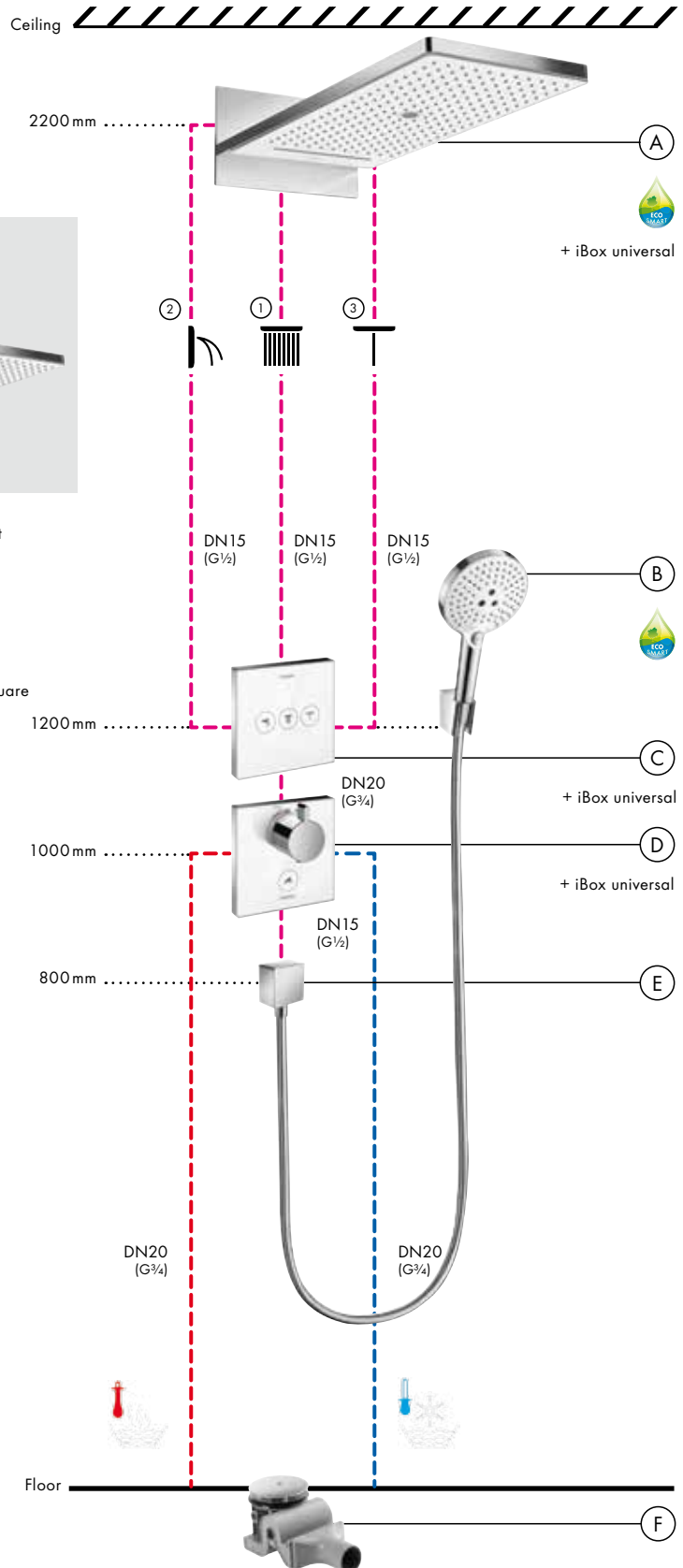
Raindance Select S 120 3jet
hand shower
26530, -400



Legend

- ① RainAir
- ② Rain
- ③ Whirl

• denotes minimum operating pressure



Raindance® Rainfall® 240 3jet



Components

Mixers

- Ⓒ Basic set iBox universal
01800180
Valve ShowerSelect Glass (black)
for 3 functions
15736, -600
- Ⓓ Basic set iBox universal
01800180
Highflow ShowerSelect glass
thermostat (black) for 1 function
(top) and one additional function
(bottom)
15735, -600

Alternative:

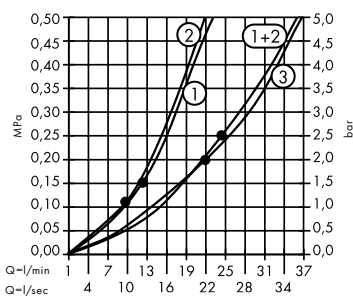
- Valve ShowerSelect S
for 3 functions
15745, -000
- Highflow ShowerSelect glass
thermostat for 1 function (top)
and one additional function
(bottom)
15742, -000

Showers

- Ⓐ Basic set iBox universal
01800180
Raindance Rainfall 240 3jet
overhead shower
28411, -000
- Ⓑ Raindance Select S 120 3jet
hand shower
26530, -000
Porter'S shower holder
28331, -000
Isiflex shower hose
28276, -000
- Ⓔ Shower connection Fixfit Square
26455, -000
- Ⓕ Raindrain XXL waste system
60067, -000

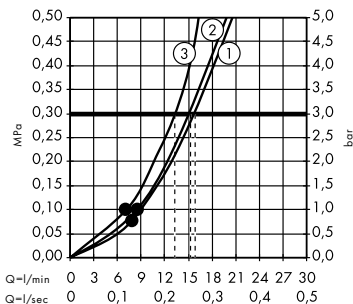
Flow diagram

Raindance Rainfall 240 3jet
overhead shower
28411, -000

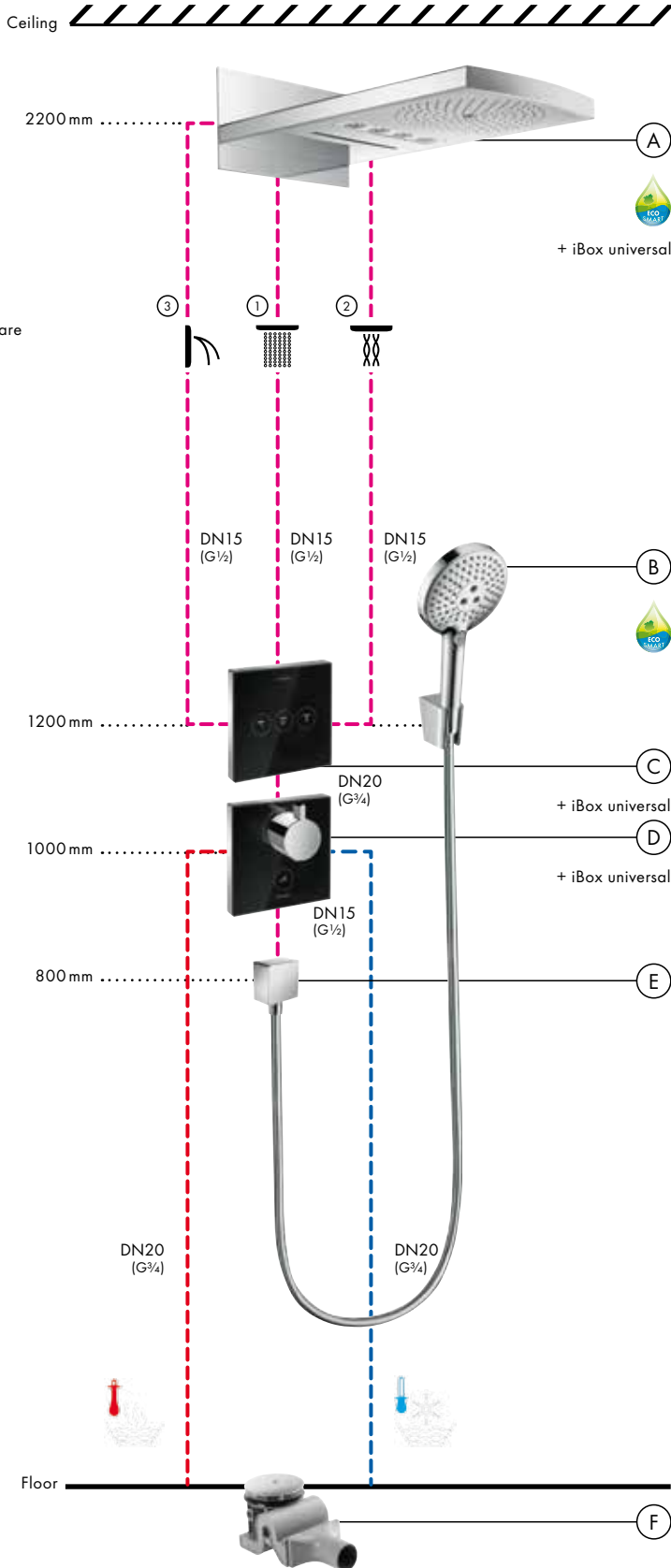


Flow diagram

Raindance Select S 120 3jet
hand shower
26530, -000



• denotes minimum operating pressure



Raindance® Rainfall® 240 3jet

Components

Mixers

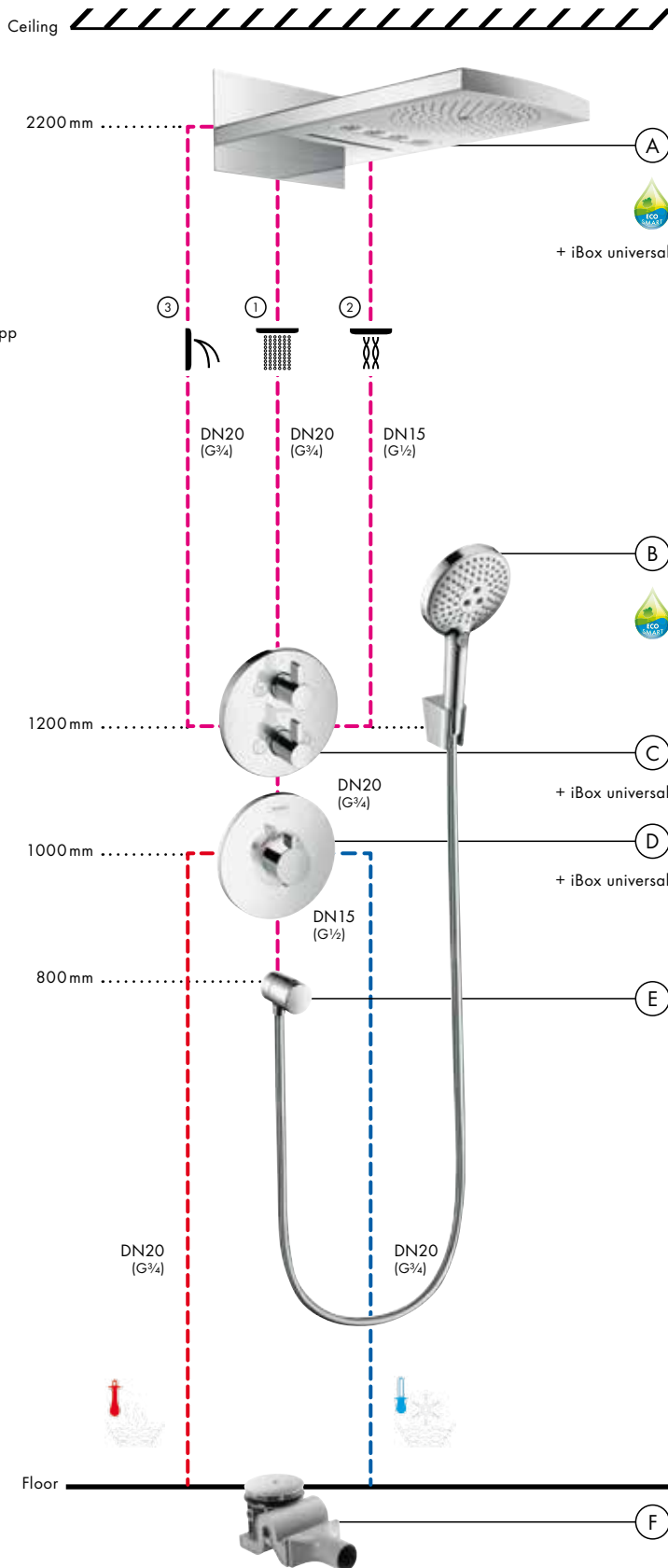
- Ⓒ Basic set iBox universal
01800180
iControl S
Valve for 3 functions
15955, -000
- Ⓓ Basic set iBox universal
01800180
Ecostat S Highflow thermostat
15715, -000

Alternative:

- Valve ShowerSelect S
for 3 functions
15745, -000
- Highflow ShowerSelect S
thermostat
15742, -000

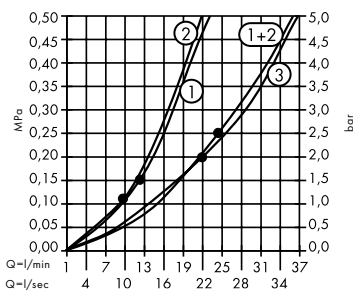
Showers

- Ⓐ Basic set iBox universal
01800180
Raindance Rainfall 240 3jet
overhead shower
28411, -000
- Ⓑ Raindance Select S 120 3jet
hand shower
26530, -000
Porter'S shower holder
28331, -000
Isiflex shower hose
28276, -000
- Ⓔ Shower connection Fixfit Stopp
38882, -000
- Ⓕ Raindrain XXL waste system
60067, -000



Flow diagram

Raindance Rainfall 240 3jet overhead shower
28411, -000

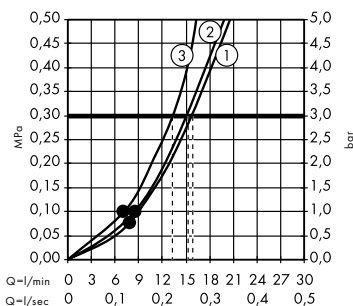


Legend

- ① RainAir
- ② Whirl
- ③ RainFlow

Flow diagram

Raindance Select S 120 3jet hand shower
26530, -000



Legend

- ① RainAir
- ② Rain
- ③ Whirl

• denotes minimum operating pressure

Raindance® Rainfall® 240 3jet

4 functions

Components

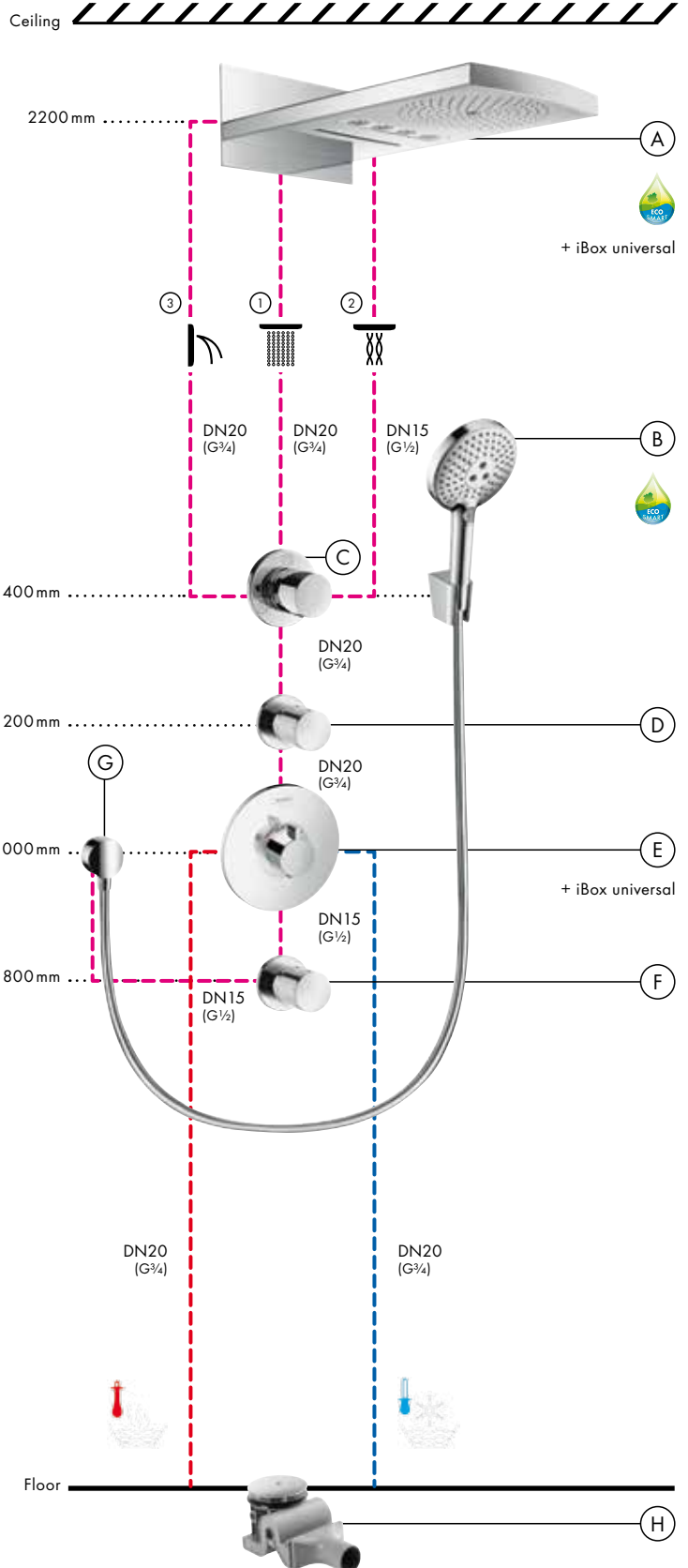
Mixers

- (C) Quattro basic set
15930180
Trio/Quattro S shut-off valve
15932, -000
- (D) Shut-off valve basic set
15970180
Shut-off valve S DN15/DN20
15972, -000
- (E) Basic set iBox universal
01800180
Ecostat S Highflow thermostat
15715, -000
- (F) Shut-off valve basic set
15974180
Shut-off valve S DN15/DN20
15972, -000

Other alternatives possible.

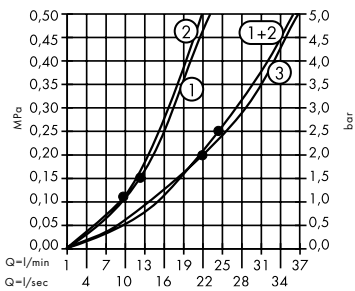
Showers

- (A) Basic set iBox universal
01800180
Raindance Rainfall 240 3jet
overhead shower
28411, -000
- (B) Raindance Select S 120 3jet
hand shower
26530, -000
Porter'S shower holder
28331, -000
Isiflex shower hose
28276, -000
- (G) Shower connection Fixfit S
27453, -000
- (H) Raindrain XXL waste system
60067, -000



Flow diagram

Raindance Rainfall 240 3jet overhead shower
28411, -000

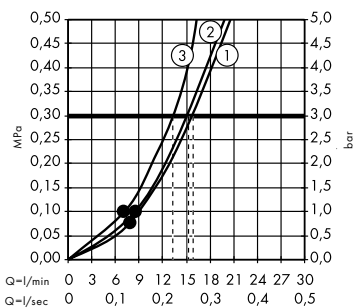


Legend

- (1) RainAir
- (2) Whirl
- (3) RainFlow

Flow diagram

Raindance Select S 120 3jet hand shower
26530, -000



Legend

- (1) RainAir
- (2) Rain
- (3) Whirl

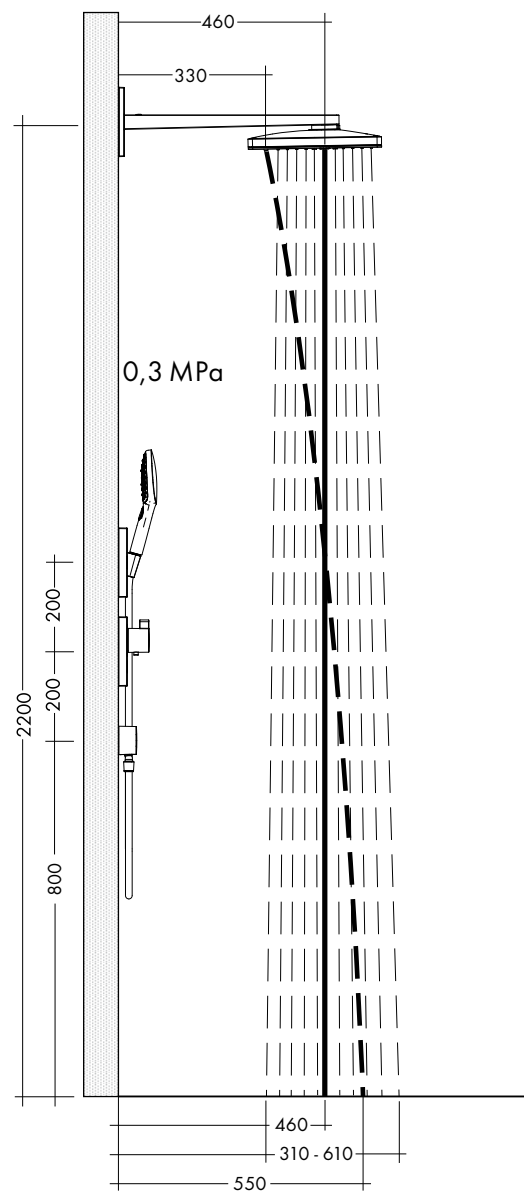
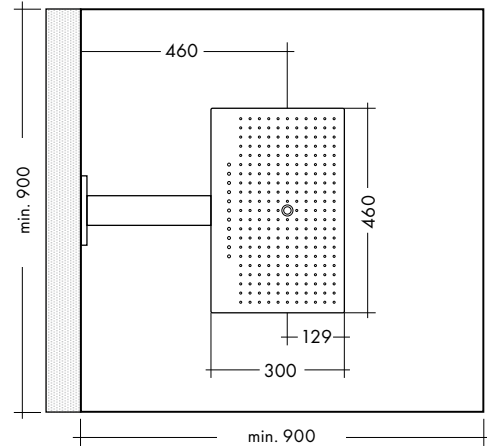
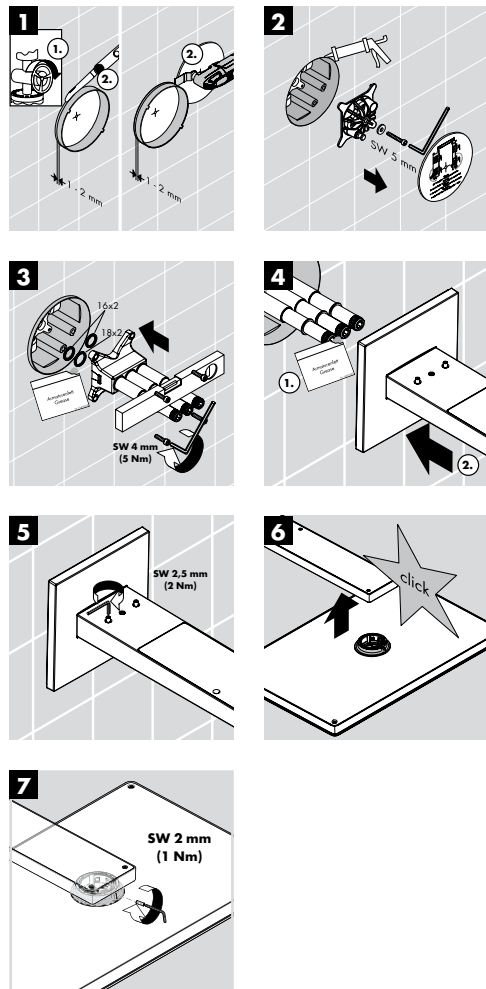
• denotes minimum operating pressure

Rainmaker® Select 460 3jet overhead shower

Wall mounting

Installation

Please consider in your plans the size and design of the shower cubicle, and the outlet angles and reach of each spray type.



all dimensions in mm

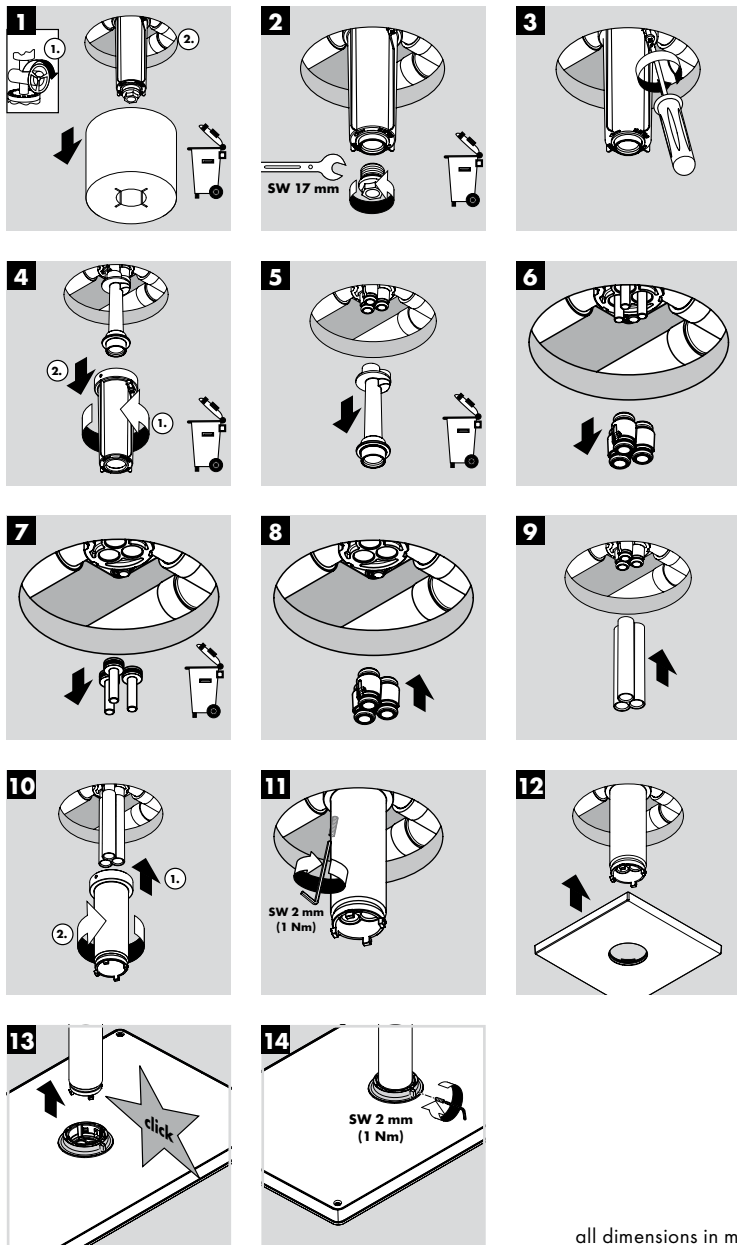
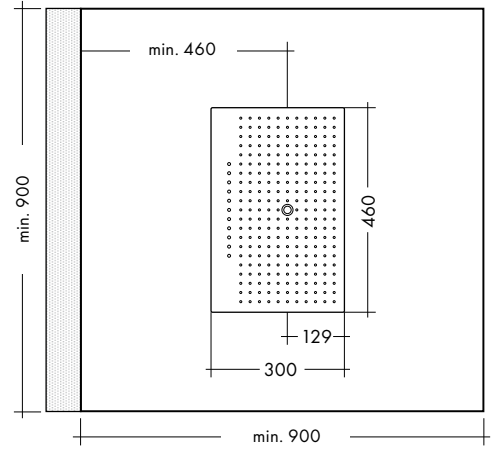
Rainmaker® Select 460 3jet overhead shower

Ceiling mounting

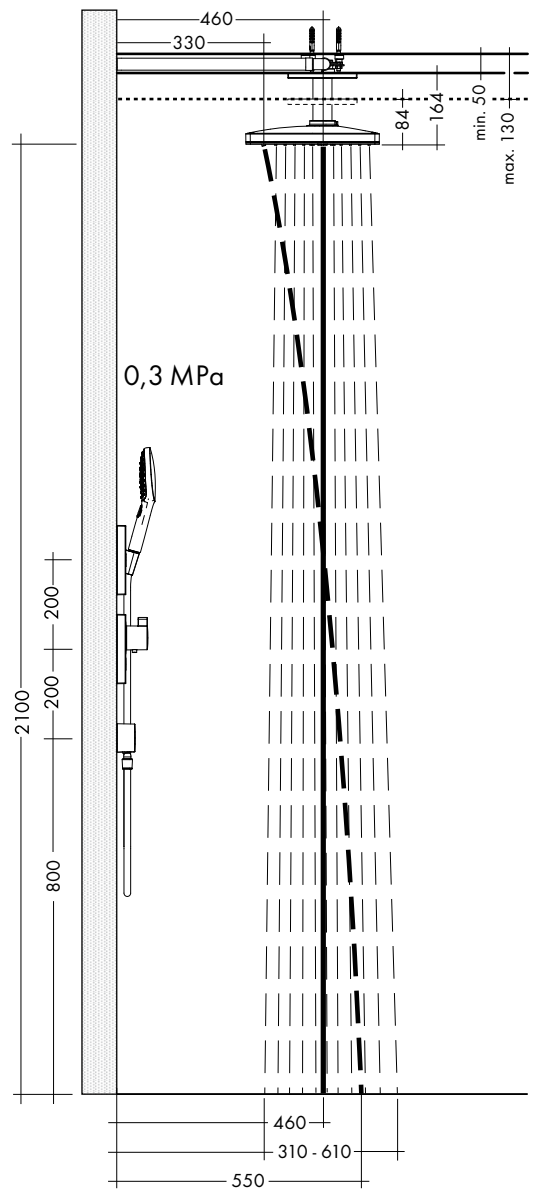


Installation

Please consider in your plans the size and design of the shower cubicle, and the outlet angles and reach of each spray type.



all dimensions in mm

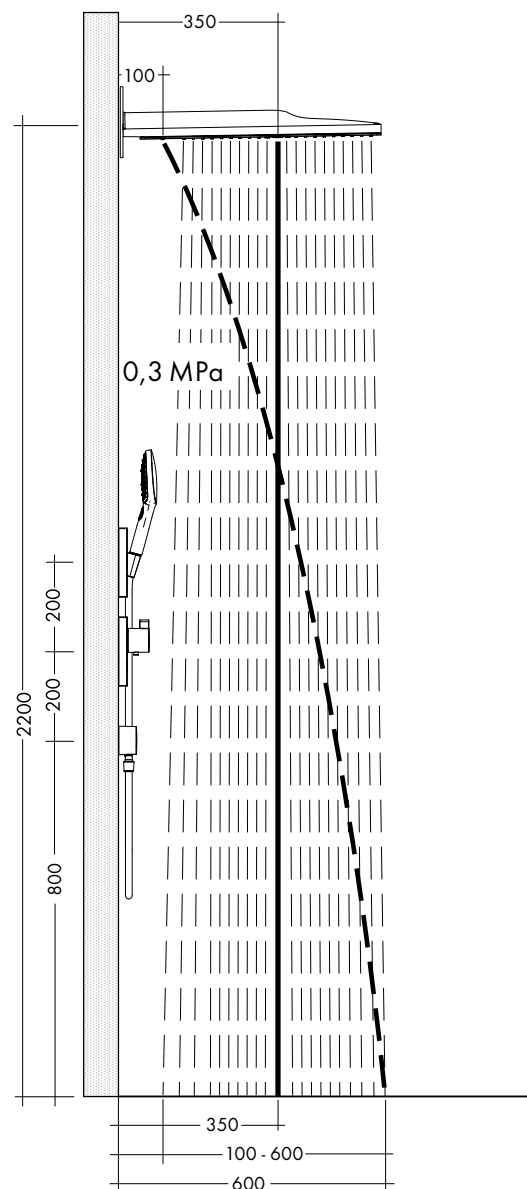
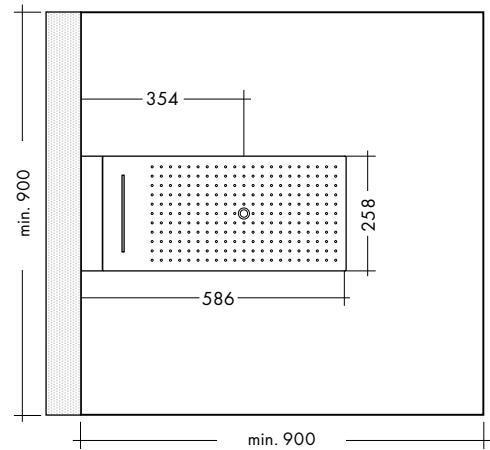
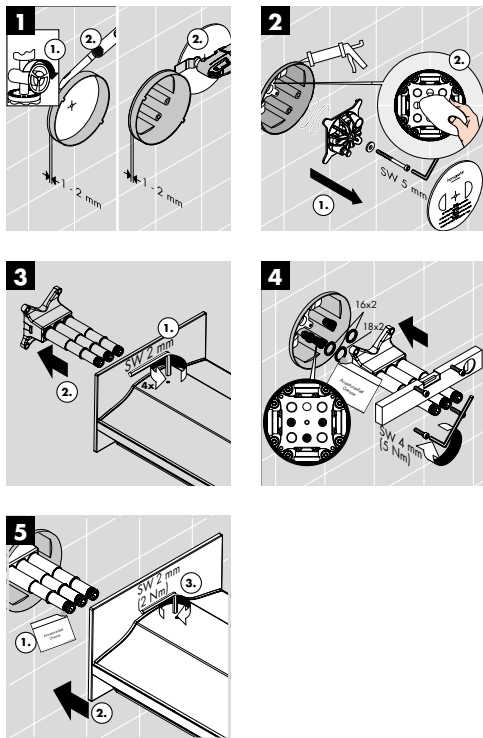


Rainmaker® Select 580 3jet overhead shower

Wall mounting

Installation

Please consider in your plans the size and design of the shower cubicle, and the outlet angles and reach of each spray type.



all dimensions in mm

Installation ShowerTablet® Select 700

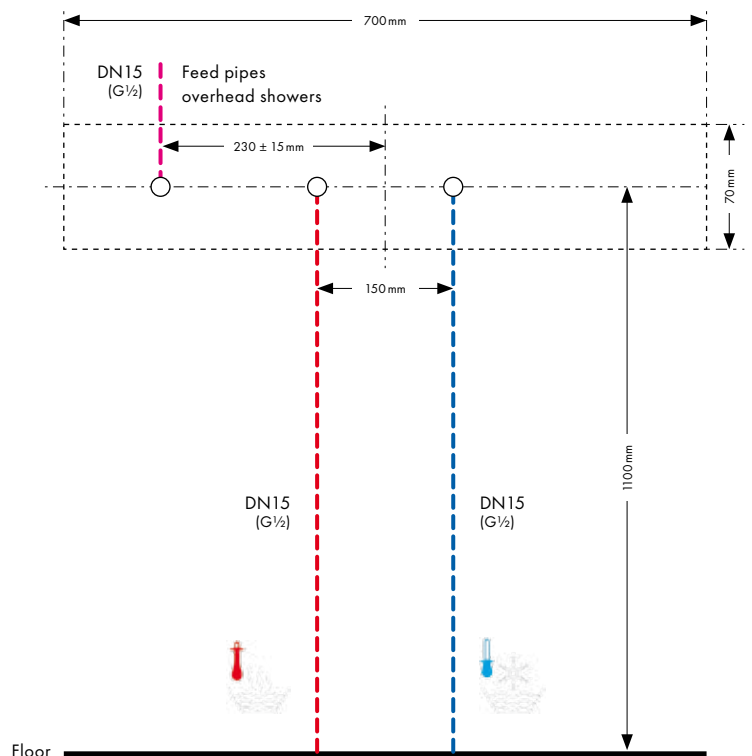
Thermostat for 2 functions

Installation options

The new form of showering pleasure: The new ShowerTablet Select 700 is the first Hansgrohe surface-mounted thermostat that also controls a single-spray overhead shower connected to a $G\frac{1}{2}$ wall connection. With effortless control, at the touch of a button. The innovative surface-concealed installation is a genuine highlight, in both technology and visual appeal. The 700 mm wide storage shelf also offers space for all toiletries you could ever need and is easy to clean, thanks to its high-quality glass surface.



ShowerTablet® Select 700
Thermostat
13184, -000, -400

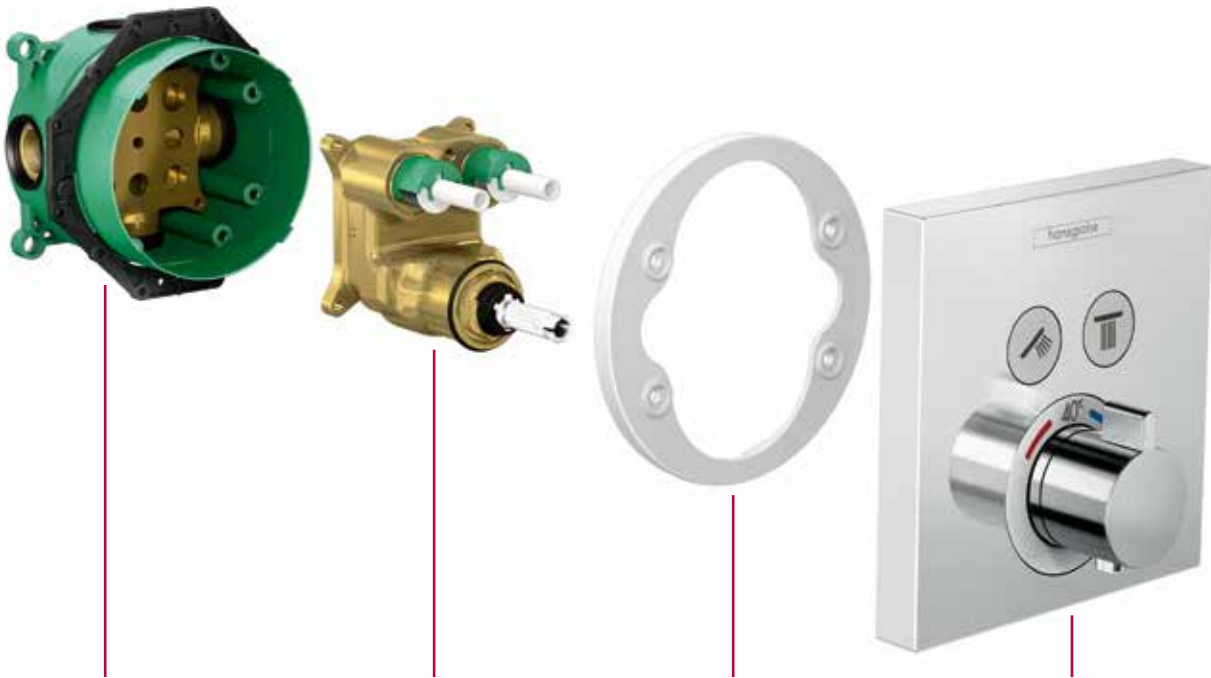


Installation

The ShowerTablet Select 700 is installed on commercially available connections ($G\frac{1}{2}$). The specified measurements are the distance between the hot and cold lines and the connection for the supply line to the overhead shower. The overhead shower itself can be placed anywhere in the shower area.

More comfort as early as the installation

All standard Hansgrohe and Axor concealed solutions can be installed with the greatest of ease thanks to the iBox universal. No matter whether bath or shower mixer, thermostat, valve, overhead shower, or Showerpipe: The basic set is always the same. Depending on the function, the corresponding block is fitted in just moments and completed with the matching finish set. Also renovations and modernisations are easily possible with the iBox universal. Simply replace the function box with the finish set and the bathroom will look as good as new. Give your bathroom a facelift without any damage to the walls.



Basic set iBox® universal

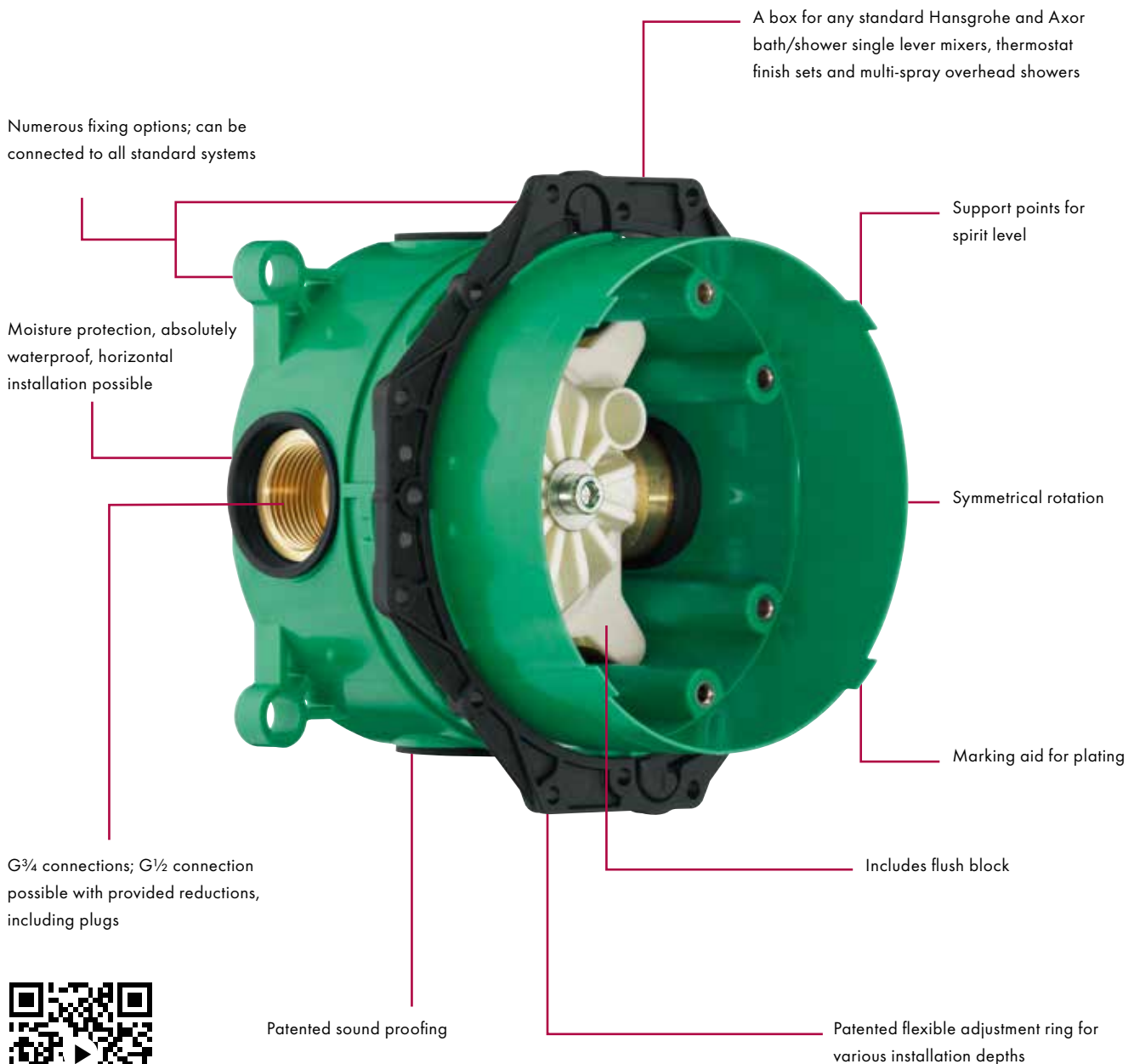
Functions block

Carrier escutcheon

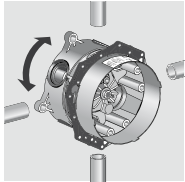
Finish set

iBox® universal: convincing on all fronts

The iBox universal is your first choice for concealed installation. See for yourself over the following pages what the iBox universal has to offer you and your customers.

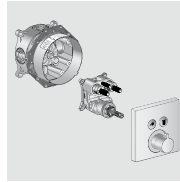


iBox® universal: the all-rounder with many strengths



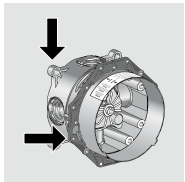
Rotation-symmetrical installation

- Symmetrical construction; all the connections are the same
- It is important that cold water is connected on the right and hot water on the left
- The lower outlet has priority for bath mixers
- Either the upper or lower outlet can be connected for shower mixers



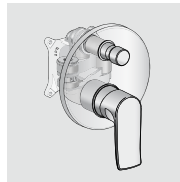
Safe and economical

- Basic set includes only the connection block
- The valuable functions block is supplied later and mounted with the finish set
- Prevents problems like theft, dirt and frost damage occurring during the building phase and expensive warehousing becomes unnecessary



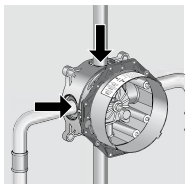
Many installation types

- Coordinated with to all the standard installation systems, connection types and mixers
- Patented flexible adjustment ring
- Attachment options on 2 levels and G $\frac{3}{4}$ connections for universal installation possibilities
- Also suitable for stronger wall constructions and dry wall installations as well as for prefabricated houses



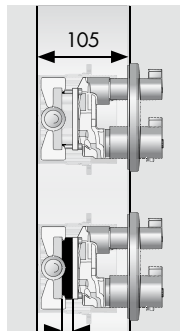
Integrated safety combination

- Used in conjunction with Exafill baths with an outflow and overflow mixer, it eliminates the need for an external pipe breaker on concealed installation single lever bath mixers: lower installation costs and fewer functional parts in the wall



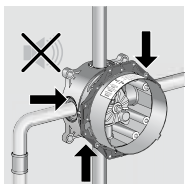
Perfect moisture protection

- Sealing sleeves on all 4 connections, sealing sleeve under the tiles and the carrier escutcheon that seals against splashes perfectly protect the masonry against moisture on all sides



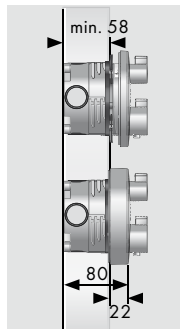
Solutions for walls that are very deep or very shallow

- If the iBox universal is too deep in the wall, the basic set extension is inserted between the connection and functions block
- The extension set provides safety right up to the wall and perfectly protects the masonry against moisture
- The standard body of the iBox universal has become flatter and is therefore even more suitable for walls with shallow installation depths



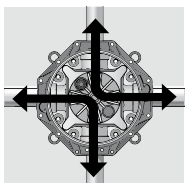
Low noise levels

- Brass bodies on seals ensure that the noise of water-bearing parts is transferred to the masonry
- The carrier escutcheon is screwed to the housing of the iBox universal and not to the functions block, which means that the noise cannot be transmitted to the tiles



Collar extension

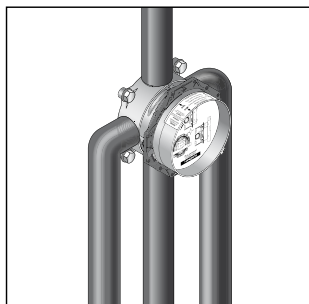
- Thanks to the extension, even shallow installation depths are no longer a problem
- The extension collar means that the iBox can be installed even in narrow walls



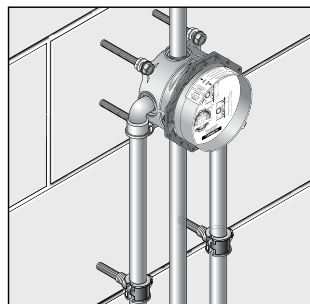
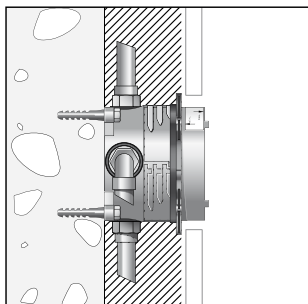
Easy rinsing

- Flush block included and can be mounted in various different positions. This means that pipes can be flushed through to the end just in front of the wall, as per DIN 1988/EN 1717 part 2

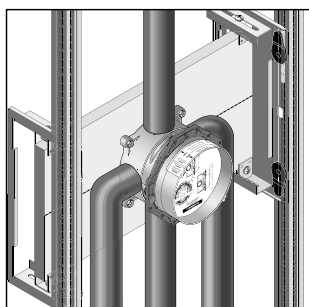
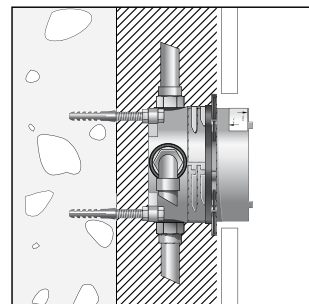
Attachment options



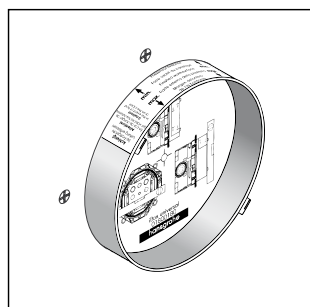
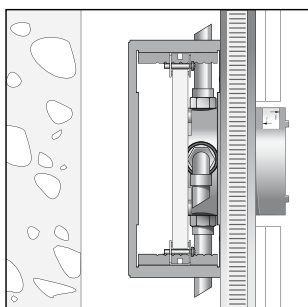
Installation directly on the wall



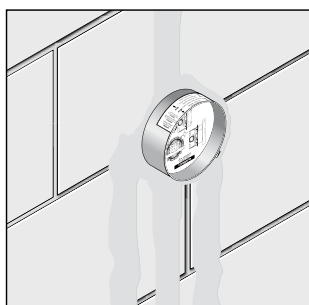
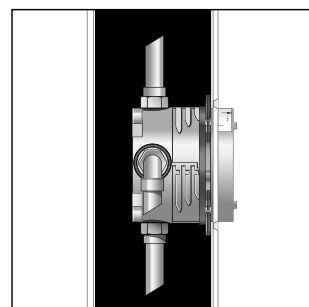
Installation in front of the wall; here with variable spacers on hanger bolts M 10



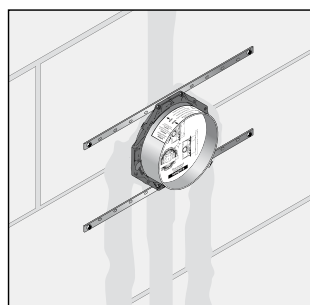
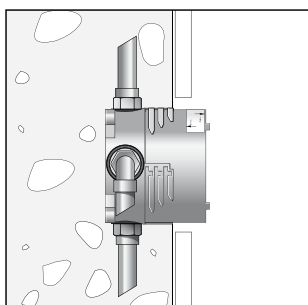
Installation on carrier system



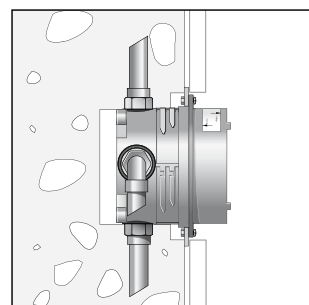
Installation on prefab house mounting panels or prefab shell



Installation directly in the wall



Installation with mounting rail set





RainBrain® – the brains under the shower

RainBrain proves yet again the technical comfort of Hansgrohe: With just the one electrical controller, all showering functions can be operated via a touch screen. Overhead, hand and side showers can be set just as easily as the spray type, water quantity and temperature. In addition, RainBrain also controls external lighting and, via Bluetooth, even an MP3 player – for the perfect showering experience.



Planning and installation instructions



1. Hot and cold water supply

The specific dimensions of each system must be determined according to personal preferences, frequency of usage and the number of users. Operating pressure max. 1 MPa. Recommended operating pressure: 0.2-0.5 MPa (1 MPa = 10 bar = 147 PSI). Hot water temperature: max. 60 °C. When calculating the storage and drain capacity, bear in mind that, depending on which showers are combined, up to 48 l/min of mixed water are needed at 0.3 MPa.

Attention: This product cannot be used in combination with continuous flow water heaters. Large differences in pressure between the cold and hot water outlets must be equalized.

2. Shower feed pipes

Function box: 2 x G³/₄ hot/cold

Rainfall: 3 x G¹/₂ mixed water
(if flow pressure < 3 bar G³/₄)

Hand shower: 1 x G¹/₂ mixed water

Side showers: 1 x G³/₄ mixed water

3. Hansgrohe RainBrain connecting bridge

The connecting bridge serves as a base for the function box, and as a connection for both the hot and cold water feed pipes and the five shower feed pipes. Installation is carried out during the construction phase.

Attention: The connecting bridge must be mounted perpendicular to the vertical feed pipes, rinsed and checked in accordance with the applicable regulations and connected to the equipotential bonding grid. Connection threads: 2 x G³/₄ internal thread for hot and cold water connection

4. Hansgrohe RainBrain functions box

The function box houses: Electronic temperature control, water flow control if applicable, five magnetic valves to control the shower functions, power supply unit, the electronic control system and lighting control. Proper installation of the function box and the connecting bridge requires that an appropriate installation space must be reserved (minimum safety zone two).

Attention: It is essential that the function box is easily accessible for maintenance. The function box is connected to the control panel in the shower area via a 7 m cable. The connection cable is laid in a Ø 25 mm PE empty conduit. The function box is mounted during the finishing phase of the bathroom. Power supply: 230 V/50 Hz direct connection.

5. Hansgrohe RainBrain installation case operating panel

The installation housing serves as a base for the control panel and is installed during the construction phase. The required installation depth is 84 mm. An empty Ø 25 mm conduit (control cable) must be laid between the installation housing and the function box, and a Ø 20 mm empty conduit (audio cable) must be laid between the function box and the audio amplifier. The control panel is not

inserted into the installation housing until the finishing phase of the bathroom. Control cable: 7 m long, Ø 25 mm PE empty conduit; audio cable: 7 m long, Ø 20 mm PE empty conduit.

6. Hansgrohe RainBrain control panel

The control panel for controlling the different shower functions is inserted into the installation housing during the finishing phase of the bathroom.

7. Hansgrohe Raindance Rainfall

Quick and simple installation of the Raindance Rainfall is facilitated by using the iBox universal. Considering the exceptional length and weight of this overhead shower, the iBox universal ensures that the Raindance Rainfall is securely mounted and sits perfectly on the wall (product not included in delivery).

Attention: The net weight of the shower without water is 12 kg. Please ensure sufficient wall reinforcement at point of installation, especially in drywall construction! The mixed water is fed through G $\frac{1}{2}$ /G $\frac{3}{4}$ feed pipes into the bottom opening and two side openings of the iBox universal. Another brass pipe (approx. 10 cm long) is screwed into the fourth (upwards-pointing) opening of the iBox universal and attached to the wall with a pipe clamp. This provides additional stability. The bottom feed pipe is also secured with a pipe clamp. For plastic pipes, an additional brass nipple must be used. The pre-assembled overhead shower panel, including the pre-attached wall escutcheon, is then simply slid onto the iBox universal and screwed on at the sides. Finished!

Attention: The shower must be installed, rinsed and checked in accordance with the applicable regulations in order to ensure proper shower function!

8. Hansgrohe Fixfit hose connection

27453000 Fixfit S hose connection G $\frac{1}{2}$

9. Hansgrohe Raindance Air 100 side showers

28477000 Raindance Air 100 side showers G $\frac{1}{2}$

10. Hansgrohe Raindrain XXL outlet

Floor drain (without shower tray): DN70 drain pipe Drain for shower tray: # 60067000 Raindrain 90 XXL complete set Drain capacity 51 l/min (damming height 15 mm) complies with DIN12056.

Attention: The drain capacity must be greater than 50 l/min

11. Audio amplifier

The Hansgrohe RainBrain control panel provides a standard signal (L, R, Audio GND) with 0dBu level (0.775 V).

To complement the Hansgrohe RainBrain we recommend the Axor Starck loudspeakers (# 40874,-000).

Power supply: 230 V/50 Hz socket

12. Lighting control set

For external lighting

Power supply: 230 V/50 Hz

direct connection

Maximum load: 500 W

Connection cable: 10 m long

27189000 Hansgrohe RainBrain lighting control set

13. Distributor box for operating voltage

Function box, lighting control set (optional) and amplifier (optional) require a 230 V/50 Hz power supply.

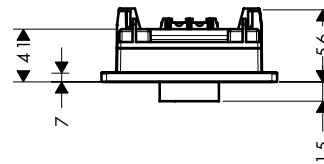
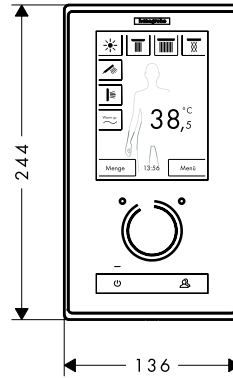
Product overview



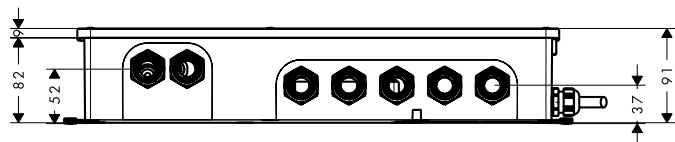
control panel, pure chrome



control panel, white chrome



Function box



RainBrain® Finish set with water flow control

Consisting of control panel with TouchScreen user interface, function box with electronic temperature control, water flow control, 5 magnetic valves and electronic control system (power supply 230V/50 Hz)

pure chrome # 15842, -000

white chrome # 15842, -400

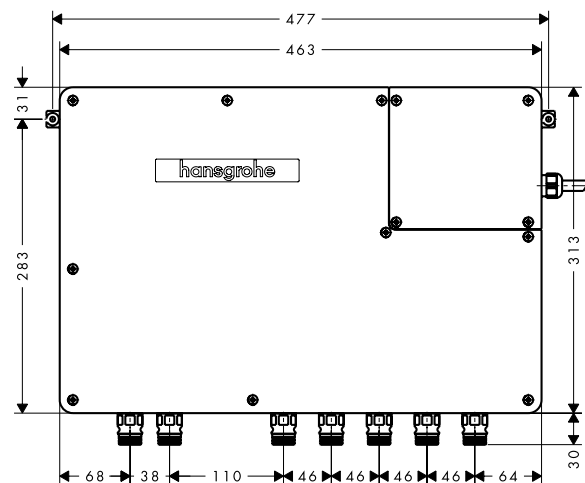
to be combined with:

RainBrain basic set

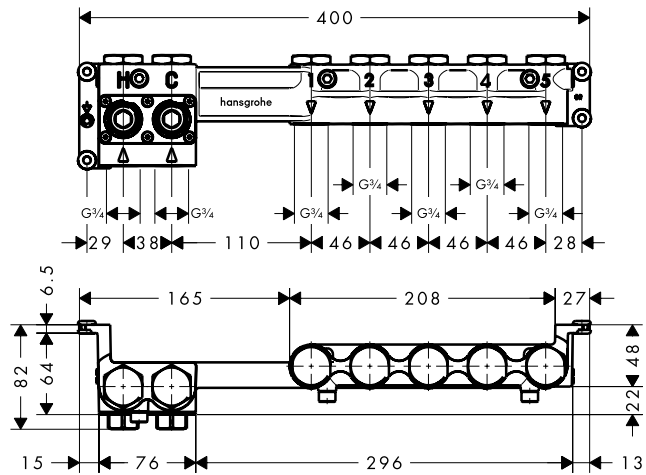
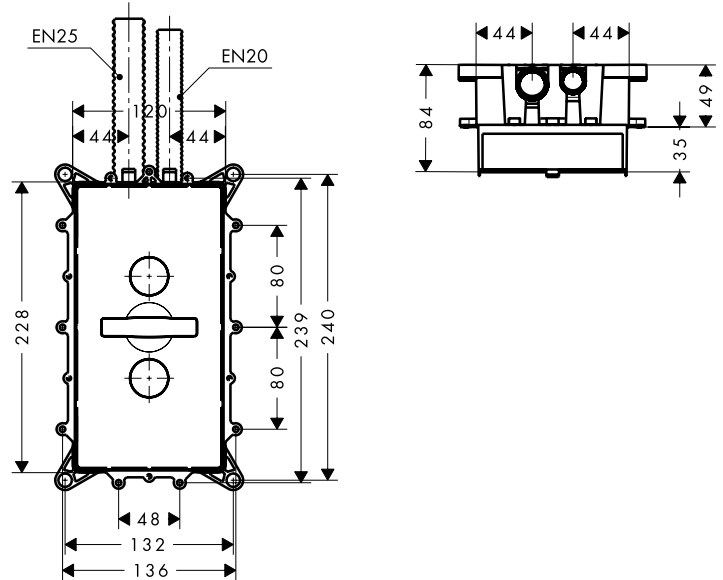
15840180

Lighting control set

27189, -000



all dimensions in mm



RainBrain® basic set

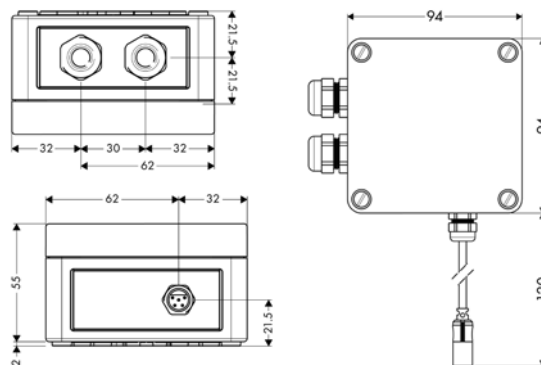
Consisting of installation housing for the control panel, connection block with integrated shut-off device and dirt filter for G $\frac{3}{4}$ hot/cold water feed pipes, 5 x G $\frac{3}{4}$ connections for the showers and quick connectors for mounting the installation box, 7 m \varnothing 25 mm PE empty conduit for the control cable from control panel to installation box, 7 m \varnothing 20 mm PE empty conduit for

15840180

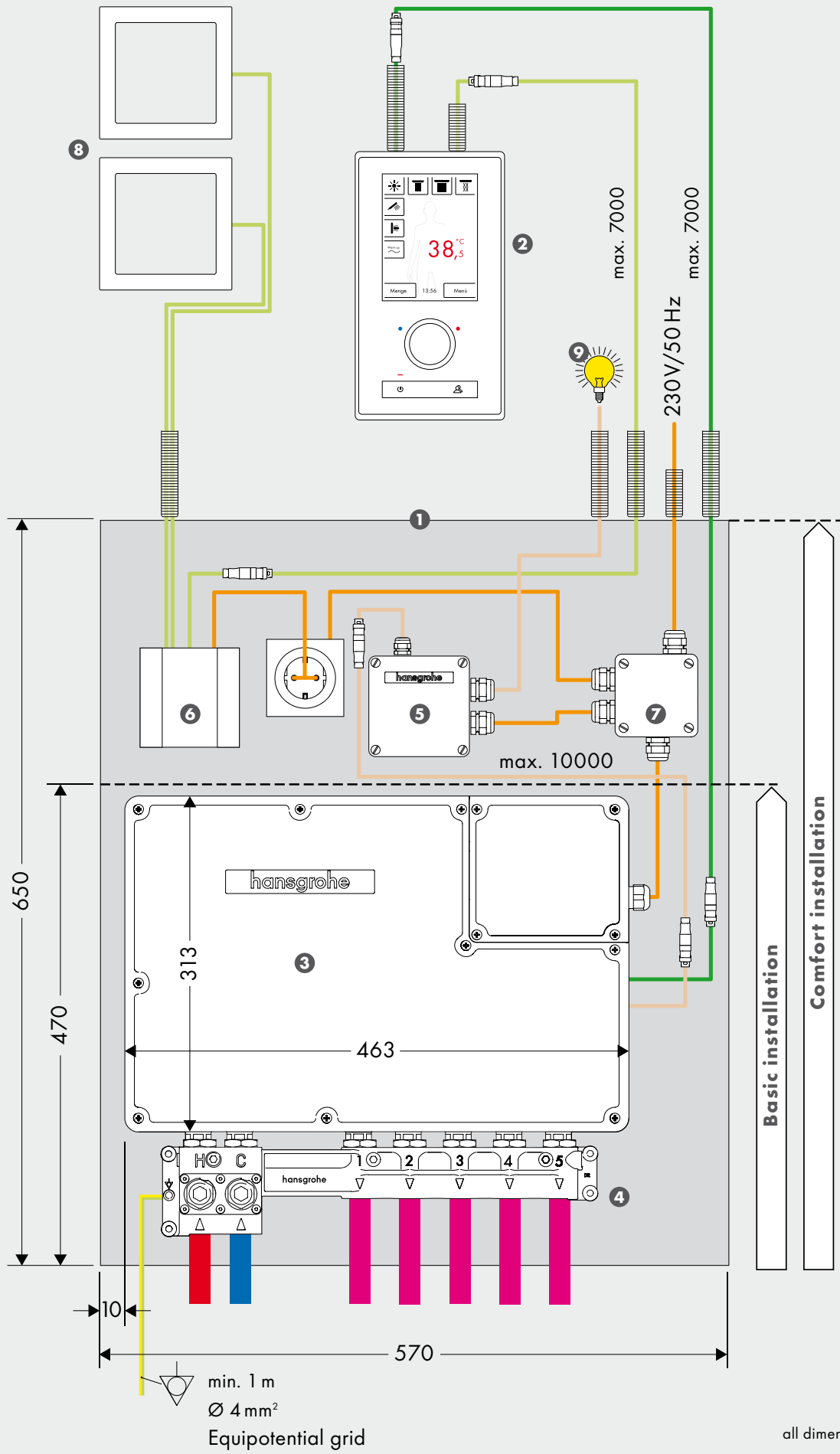


RainBrain® Lighting control set

Power supply: 230V/50Hz Maximum load: 500 W consisting of relay lighting control, 7 m connection cable # 27189, -000

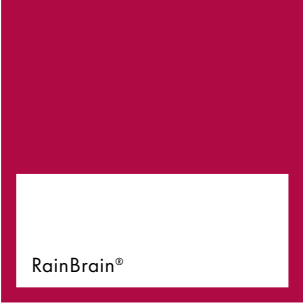


all dimensions in mm



all dimensions in mm

RainBrain® function box: technical specifications



RainBrain®

The core of the Hansgrohe RainBrain is the function box. It houses the electronic temperature control, water volume control, five magnetic valves to control the shower functions, a power supply unit and the electronic control system. The function box with its connecting bridge can be installed either directly onto the wall or in a designated installation space. The installation of the function box must be carried out within safety zone two. It is also necessary to ensure that the function box is left accessible for maintenance.

1. Installation space

Basic installation:
470 mm x 570 mm x 95 mm
Comfort installation:
650 mm x 570 mm x 95 mm

2. Control panel with installation housing

Dimensions: 136 mm x 244 mm
Installation depth: 84 mm

3. Functions box

Dimensions: 463 mm x 313 mm
Installation depth: 83 mm
Power supply: 230V/50 Hz

4. Connecting bridge

Dimensions: 400 mm x 96 mm
Installation depth: 83 mm

5. Lighting control set*

Dimensions: 94 mm x 94 mm
Installation depth: 57 mm
Power supply: 230 V/50 Hz

6. Audio amplifier*

Power supply: 230 V/50 Hz

7. Junction box for operating voltage*

Dimensions: 75 mm x 75 mm
Installation depth: 57 mm
Power supply: 230 V/50 Hz

8. Loud speaker*

9. Lighting*

* These products are not included in delivery.

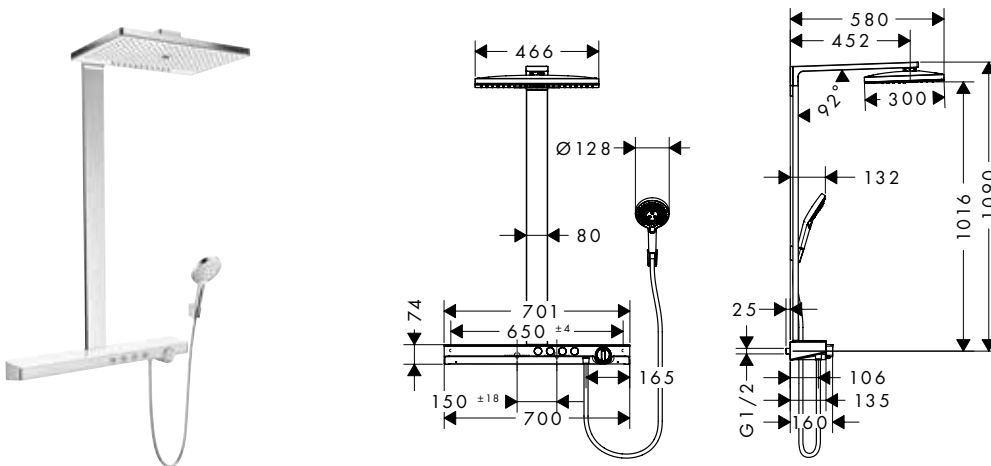


Installation of Showerpipe

The easy way to showering aplenty: Hansgrohe Showerpipes are a complete system with overhead shower, hand shower, and thermostat in one. An answer for every taste and every desire. Whether shower or bath, new installation or retrofit – all Showerpipes can be installed quickly and easily. All water carrying elements are laid in front of the wall, so they can be retrofitted with little work at any time. There is no need for significant construction work. Form and function are perfectly matched for all Showerpipes.

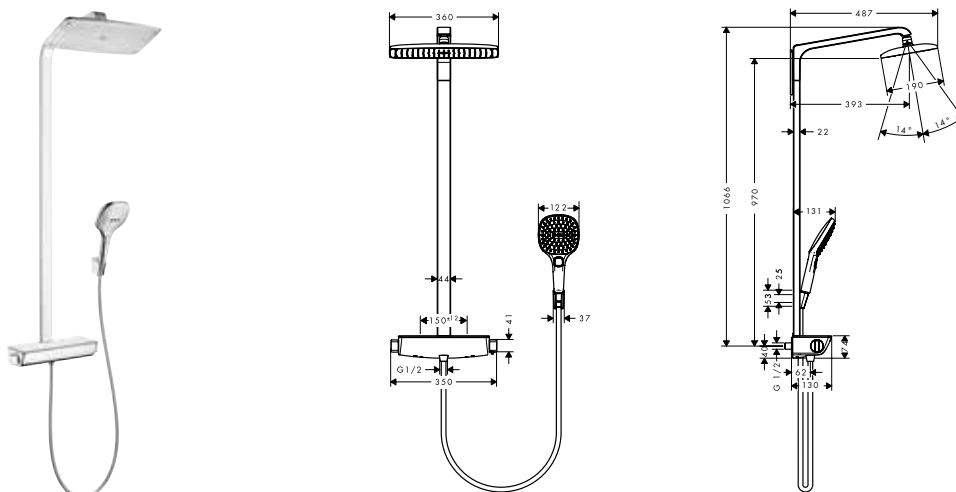
Rainmaker® Select 460 3jet Showerpipe

With Rainmaker Select 460 3jet overhead shower, Raindance Select S 120 3jet hand shower and ShowerTablet Select 700 thermostat



Raindance® Select E 360 1jet Showerpipe

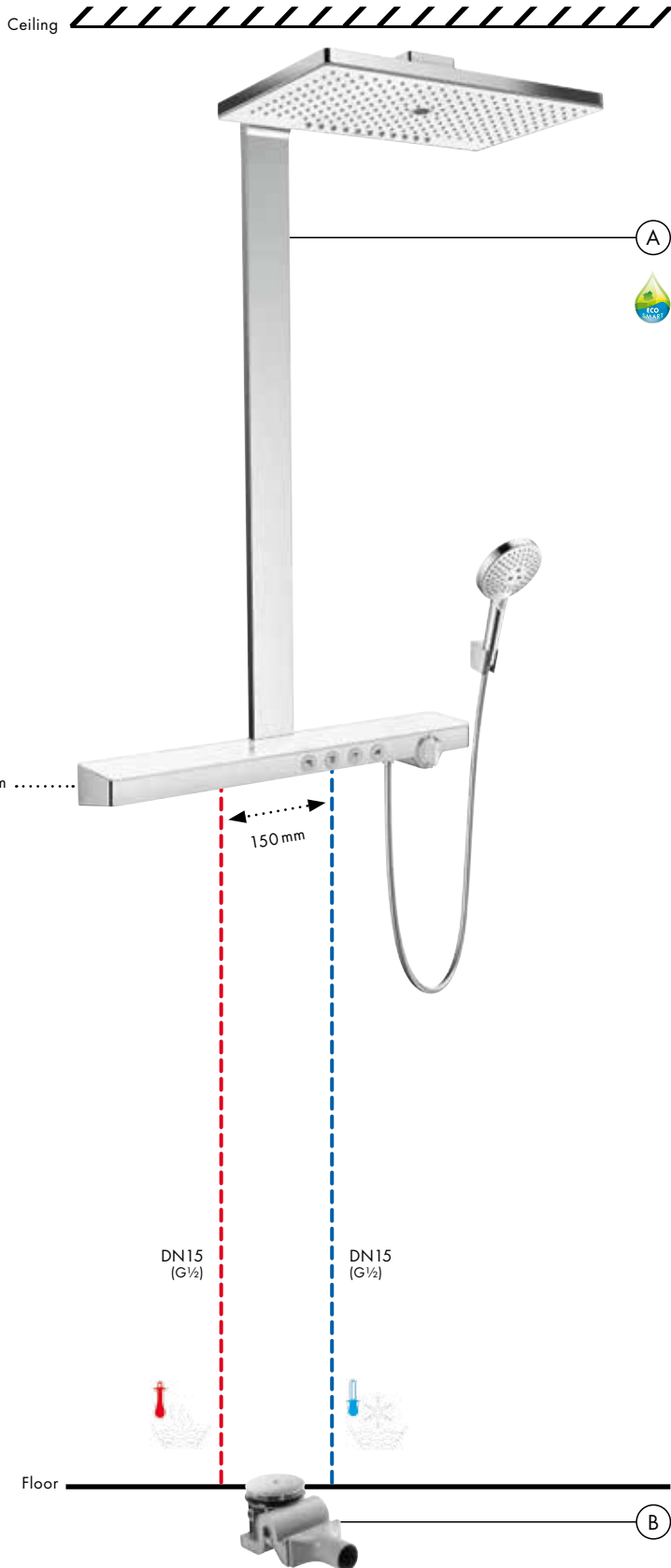
With Raindance Select E 360 1jet overhead shower, Raindance Select E 120 3jet hand shower and Ecostat Select thermostat



Rainmaker® Select 460 3jet Showerpipe

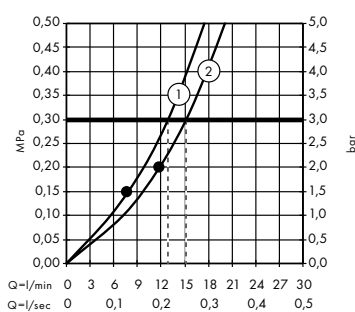
Components

- Ⓐ Rainmaker Select 460 3jet Showerpipe
27106, -400
- Ⓑ Raindrain XXL waste system
60067, -000



Flow diagram

Rainmaker Select 460 3jet Showerpipe
27106, -400



Legend

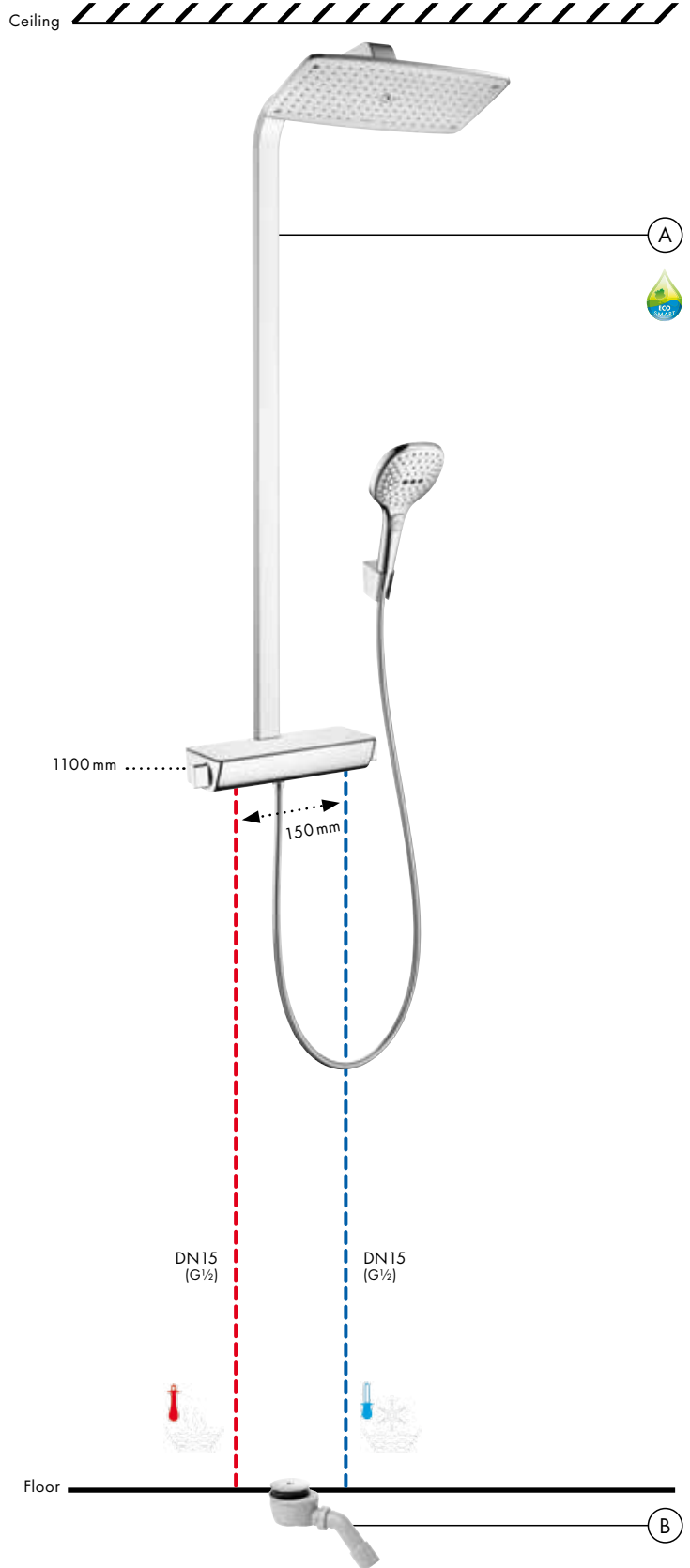
- ① Hand shower
- ② Overhead shower

• denotes minimum operating pressure

Raindance® Select E 360 1jet Showerpipe

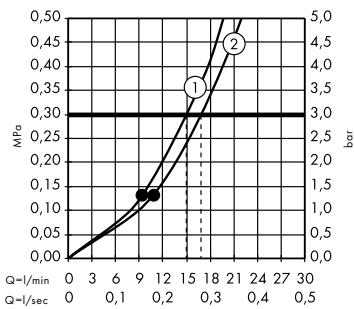
Components

- (A) Raindance Select E 360 1jet Showerpipe
27112, -000, -400
- (B) Staro 90 waste system
60056, -000



Flow diagram

Raindance Select E 360 1jet Showerpipe
27112, -000, -400



Legend

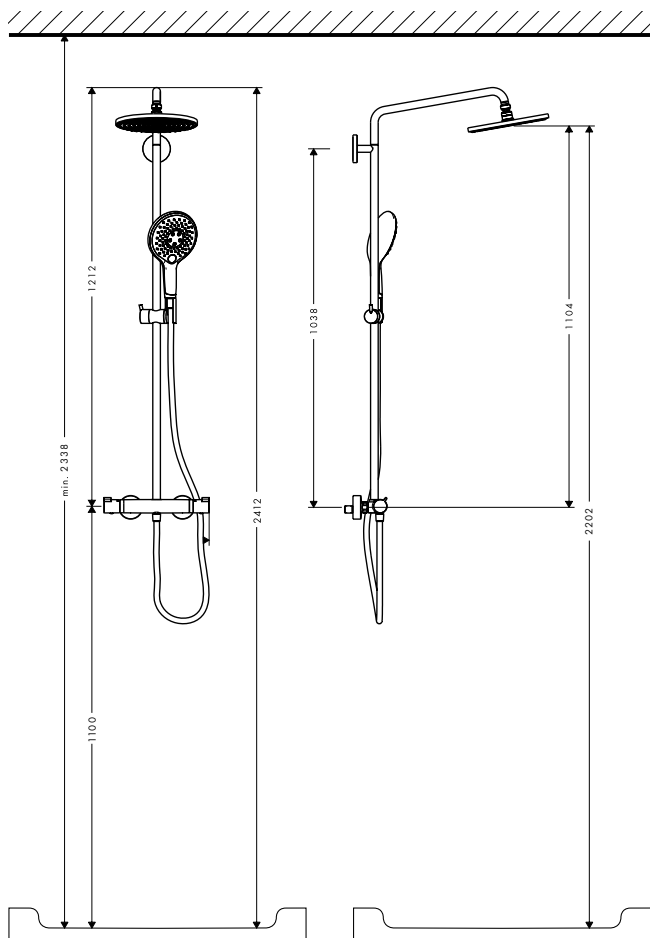
- (1) Hand shower
- (2) Overhead shower

• denotes minimum operating pressure

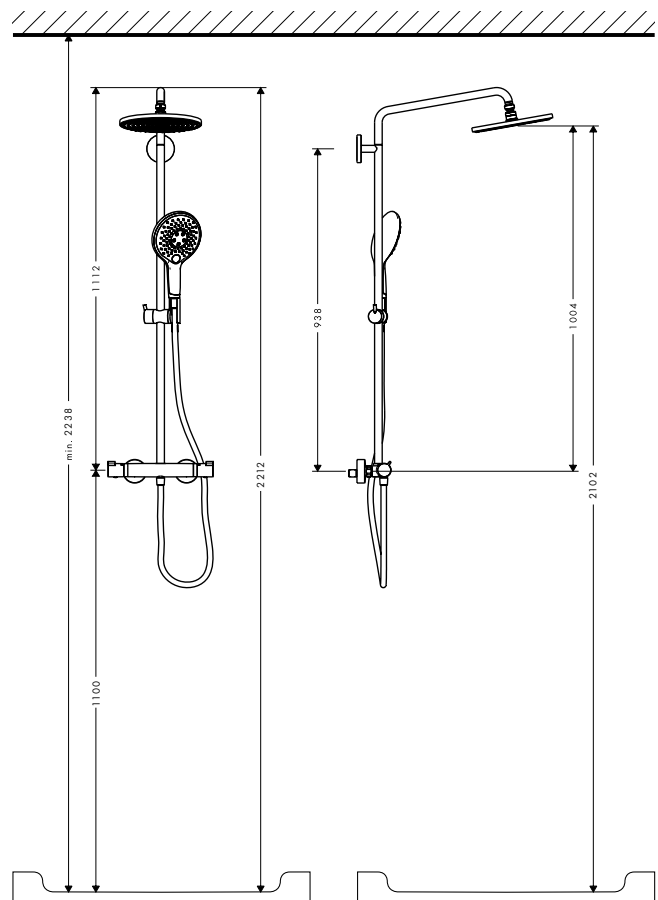
Flexible in height – Showerpipes with round tube

Regardless of the height of the room and the water connections, round tube Showerpipes can always be placed in the optimum position. The round tube can be cut to the right length, which means that individual customer requirements can also be met.

Room height A



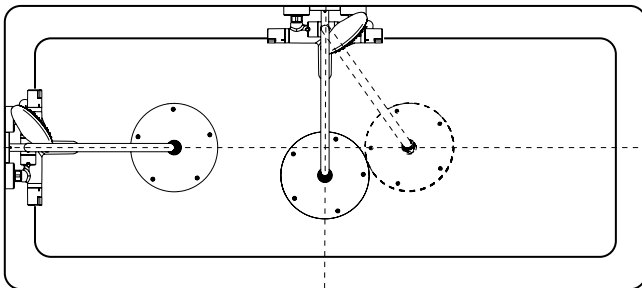
Room height B



Versatile positioning

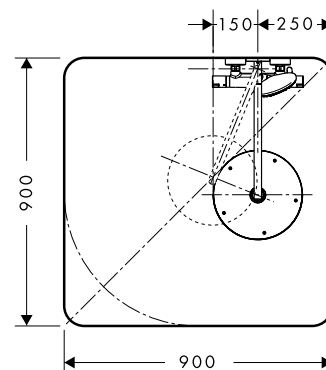
The swivelling arm makes the Showerpipes extremely versatile – perfect for using in any bath or shower situation.

Bath installation



Showerpipes can easily be installed on the front or long side of the bath, according to the positions of the water connections. The shower head can also be individually aligned.

Shower installation



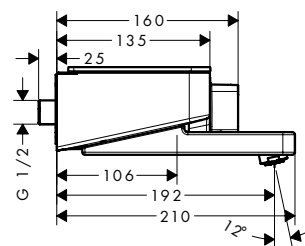
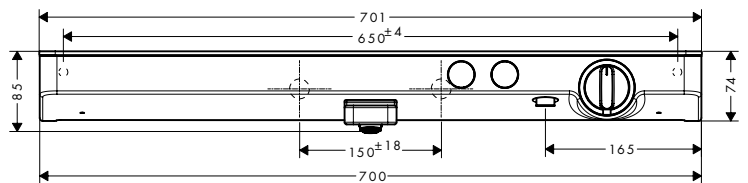
Often, the existing water connections are not positioned in the middle of a shower. Thanks to the swivelling shower arm, the head shower can still be placed in the middle of the shower after installation.



Installation on the bath

For greater relaxation in the bath: The ShowerTablet Select 700 for the bath represents comfort across the full width. The high-quality glass ledge 70 cm long provides a lot of space for toiletries and is easy to clean thanks to its plane surface. In addition, the ease of use perfects bathing fun: The functions can be controlled easily at the Select buttons with self explanatory symbols. Also, thanks to the handy thermostat control, the water can also be set easily to the desired temperature.

ShowerTablet® Select 700 thermostatic bath mixer



ShowerTablet® Select 700 bath

Components

Mixers

- (A) ShowerTablet Select 700 bath thermostat
13183, -000, -400

Alternative:
ShowerTablet Select 300 bath thermostat
13151, -000, -400

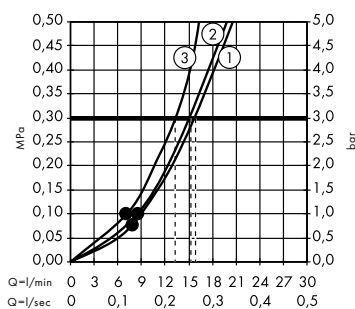


Showers

- (B) Raindance Select S 120 3jet hand shower
26530, -400
Porter'S shower holder
28331, -000
Isiflex shower hose
28276, -000
- (C) Waste and overflow set Flexaplus
58143, -000

Flow diagram

Raindance Select S 120 3jet hand shower
26530, -400

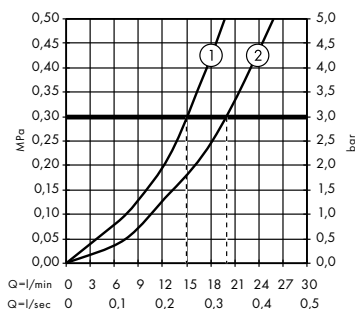


Legend

- (1) RainAir
- (2) Rain
- (3) Whirl

Flow diagram

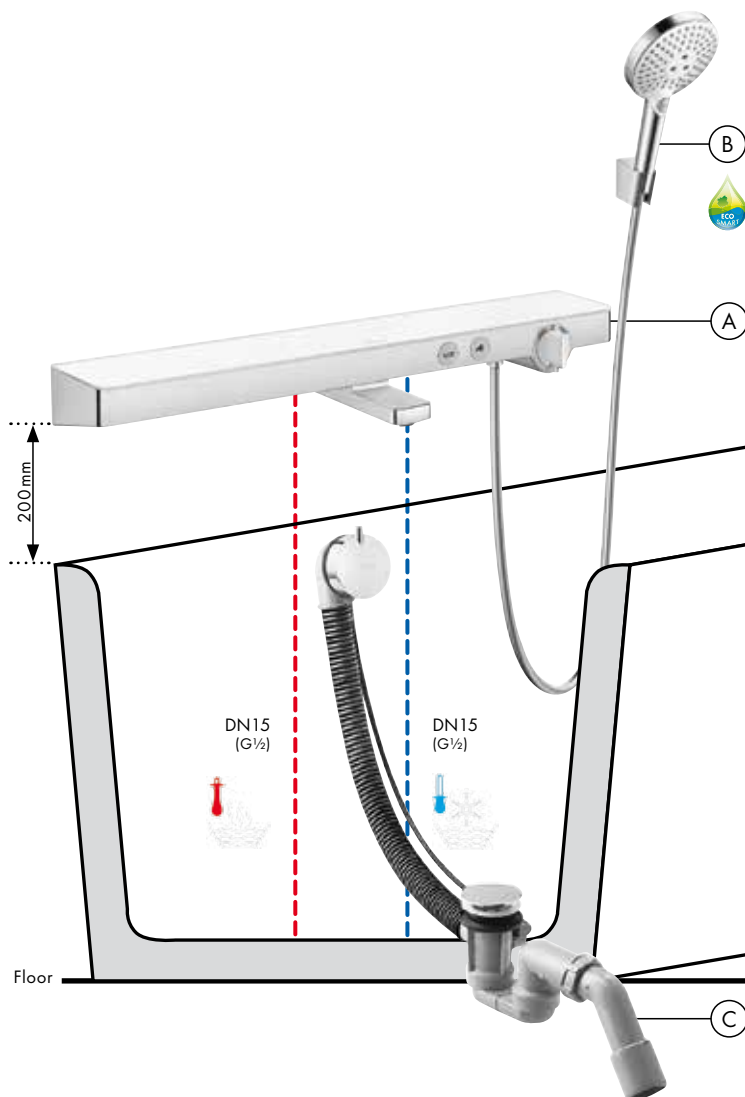
ShowerTablet Select 700 bath thermostat
13183, -000, -400



Legende

- (1) Shower
- (2) Bath

• denotes minimum operating pressure



For every installation the matching outflow

Hansgrohe has developed a great many innovative outflow systems that drain away used water quickly and easily. The models are easy to install and moreover exceedingly easy to use. Overflow control and intelligent functions for lasting shower pleasure.



Exafill® S bath: The integrated fine flood spray fills the bath easily and free of splashes, so a separate bath filler is not needed. Exafill S is everything in one: bath filler, outflow and overflow. Better still: The installation is pleasantly uncomplicated – and with QuickClean technology cleaning the filler nozzles is just as easy.



Flexaplus® S bath: Never again a bath that has run too full. The outflow and overflow mixer regulates excess bath water through the overflow control element. In addition, the water level in the bath can be raised by up to 25 mm – for even more bath fun.



Raindrain® 90 XXL shower: Ideal for large showers with high flow rates like Rainedance Rainfall or Rainedance Rainmaker. Provides for a fast and uncomplicated outflow in all shower trays. The perfect shower outflow with a max capacity of 51 l/min and easy installation.

Overhead showers, hand showers and surface-mounted thermostats

Rainmaker® Select



Rainmaker® Select 580 3jet
Overhead shower
24001, -400
24011, -400 EcoSmart



Rainmaker® Select 460 3jet
Overhead shower
24007, -400
24017, -400 EcoSmart



Rainmaker® Select 460 2jet
Overhead shower
24005, -400
24015, -400 EcoSmart



Rainmaker® Select 460 1jet
Overhead shower
24003, -400
24013, -400 EcoSmart

Raindance® Select



Raindance® Select E 300 3jet
Overhead shower
26468, -000, -400



Raindance® Select E 300 2jet
Overhead shower
27385, -000, -400
26609, -000, -400 EcoSmart



Raindance® Select S 300 2jet
Overhead shower
27378, -000, -400



Raindance® Select S 240 2jet
Overhead shower
26466, -000, -400
26470, -000, -400 EcoSmart

Raindance® Rainfall®



Raindance® Rainfall® 240 Air 3jet
Overhead shower
28411, -000, -400



Raindance® Rainfall® 180 Air 2jet
Overhead shower
28433, -000, -400



Raindance® Rainfall® 150 1jet
Overhead shower
26442, -000



Raindance® Rainfall® Stream 150 1jet
Overhead shower
26443, -000

Croma® Select



Croma® Select E 180 2jet
Overhead shower
26524, -000, -400
26528, -000, -400 EcoSmart



Croma® Select S 180 2jet
Overhead shower
26522, -000, -400
26523, -000, -400 EcoSmart



Croma® 220 1jet
Overhead shower
26464, -000
26465, -000 EcoSmart



Crometta® 160 1jet
Overhead shower
26577, -000, -400
26578, -000, -400 EcoSmart

Raindance® Select



Raindance® Select E 150 3jet
Hand shower
26550, -000, -400
26551, -000, -400 EcoSmart



Raindance® Select E 120 3jet
Hand shower
26520, -000, -400
26521, -000, -400 EcoSmart



Raindance® Select S 150 3jet
Hand shower
28587, -000, -400
28588, -000, -400 EcoSmart



Raindance® Select S 120 3jet
Hand shower
26530, -000, -400
26531, -000, -400 EcoSmart

Croma® Select



Croma® Select S Multi
Hand shower
26800, -400
26801, -400 EcoSmart



Croma® Select S Vario
Hand shower
26802, -400
26803, -400 EcoSmart



Croma® Select E Multi
Hand shower
26810, -400
26811, -400 EcoSmart



Croma® Select E Vario
Hand shower
26812, -400
26813, -400 EcoSmart

ShowerTablet® Select



ShowerTablet® Select 700
Thermostat
13184, -000, -400



ShowerTablet® Select 300
Thermostat
13171, -000, -400



ShowerTablet® Select 700
Thermostatic bath/shower mixer
13183, -000, -400



ShowerTablet® Select 300
Thermostatic bath/shower mixer
13151, -000, -400

Showerpipes

Rainmaker® Select



Rainmaker® Select 460 3jet
Showerpipe
27106, -400
27029, -400 EcoSmart



Rainmaker® Select 460 2jet
Showerpipe
27109, -400
27028, -400 EcoSmart



Rainmaker® Select 420 2jet
Showerpipe
27168, -400

Raindance® Select



Raindance® Select E 300 3jet
Showerpipe
27127, -000, -400



Raindance® Select E 300 ST
Showerpipe
27126, -000, -400
27283, -000, -400 EcoSmart



Raindance® Select E 360 1jet
Showerpipe
27112, -000, -400
27116, -000 EcoSmart



Raindance® Select S 300 2jet
Showerpipe
27133, -000, -400

Croma® Select/Croma®



Croma® Select E 180 2jet
Showerpipe
27256, -400
27257, -400 EcoSmart



Croma® Select S 180 2jet
Showerpipe
27253, -400
27254, -400 EcoSmart



Croma® 220 Air 1jet
Showerpipe
27185, -000
27188, -000 EcoSmart



Croma® 160 1jet
Showerpipe
27135, -000
27238, -000 EcoSmart

Crometta®



Crometta® 160 1jet
Showerpipe
27264, -400
27265, -400 EcoSmart

Bath



Raindance® Select E 360 1jet
Showerpipe
27113, -000, -400



Raindance® Select S 240 1jet
Showerpipe
27117, -000



Croma® 220 Air 1jet
Showerpipe
27223, -000

Thermostats, mixers and valves

ShowerSelect®



ShowerSelect®
Thermostat for 1 function
15762, -000



ShowerSelect®
Thermostat for 2 functions
15763, -000



ShowerSelect®
Thermostat for 2 functions with
hose connection and shower
support (Hand shower and
hose are not included and can
be chosen freely)
15765, -000



ShowerSelect®
Valve for 3 functions
15764, -000



ShowerSelect®
Highflow thermostat
15760, -000



ShowerSelect®
Highflow Thermostat for
1 function (bottom) and
1 additional function (top)
15761, -000



ShowerSelect®
Mixer for 1 function
15767, -000



ShowerSelect®
Mixer for 2 functions
15768, -000



ShowerSelect® S
Thermostat for 1 function
15744, -000



ShowerSelect® S
Thermostat for 2 functions
15743, -000



ShowerSelect® S
Valve for 3 functions
15745, -000



ShowerSelect® S
Highflow thermostat
15741, -000



ShowerSelect® S
Highflow Thermostat for
1 function (bottom) and
1 additional function (top)
15742, -000



ShowerSelect® S
Mixer for 1 function
15747, -000



ShowerSelect® S
Mixer for 2 functions
15748, -000

Valves



Trio®/Quattro®
Shut-off/diverter
valve for PuraVida
15937, -000,
-400



Shut-off valve
for PuraVida
15978, -000,
-400



Trio®/Quattro® E
Shut-off/diverter
valve
31634, -000



Shut-off valve E
31677, -000



Trio®/Quattro® S
Shut-off/diverter
valve
15932, -000



Shut-off valve S
15972, -000



Shut-off valve
for Logis
71970, -000



Shut-off valve
or Logis Classic
71976, -000

ShowerSelect® – glass surface



ShowerSelect®
Thermostat for 1 function
15737, -400



ShowerSelect®
Thermostat for 2 functions
15738, -400



ShowerSelect®
Highflow thermostat
15734, -400



ShowerSelect®
Highflow Thermostat for 1 function (bottom) and 1 additional function (top)
15735, -400



ShowerSelect®
Valve for 3 functions
15736, -400



ShowerSelect®
Thermostat for 1 function
15737, -600



ShowerSelect®
Thermostat for 2 functions
15738, -600



ShowerSelect®
Highflow thermostat
15734, -600



ShowerSelect®
Highflow Thermostat for 1 function (bottom) and 1 additional function (top)
15735, -600



ShowerSelect®
Valve for 3 functions
15736, -600

EcoStat®



EcoStat® E
Thermostat for 1 function
15707, -000



EcoStat® E
Thermostat for 2 functions
15708, -000



EcoStat® E
Thermostat
15705, -000



iControl® E
Valve for 3 functions
15777, -000



EcoStat® S
Thermostat for 1 function
15757, -000



EcoStat® S
Thermostat for 2 functions
15758, -000



EcoStat® S
Thermostat
15755, -000

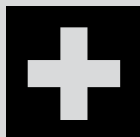


iControl® S
Valve for 3 functions
15955, -000

Hansgrohe products combine outstanding design with innovative technologies. In this brochure you will find all the details you need for your planning and installation: measurements, flow diagrams and planning and installation instructions including installation tips.



We did our utmost to ensure that the printing of this brochure was friendly to the environment. You too can contribute to the protection of our environment by passing on the brochure to others when you've finished reading it, or by recycling it.



PartnerPlus services:

Hansgrohe Customer Service

For technical enquiries, experts in the sanitary trade will be happy to assist you with their extensive knowledge of the entire Hansgrohe product range. Service and replacement parts are delivered in the fastest possible manner.

Service hours:
Monday – Friday: 9 am – 5 pm
Phone: 01372 472001
Fax: 01372 470670
E-Mail: technical@hansgrohe.co.uk

Hansgrohe Sales Service

Phone enquiries regarding products and delivery times.

Service hours:
Monday – Friday: 9 am – 5 pm
Phone: 01372 472001
Fax: 01372 470670
E-Mail: orders@hansgrohe.co.uk

Hansgrohe replacement part guarantee

We guarantee the availability of replacement parts for up to ten years. This gives you peace of mind, even for projects that were completed some time ago.

Hansgrohe guarantee of quality

Superior quality is a vital part of the Hansgrohe business philosophy. For this reason, we voluntarily offer consumers a manufacturer's guarantee on our products for a period of five years. Details at www.hansgrohe-int.com/ guarantee.

The Hansgrohe Aquademie, Esher, Surrey

Our Aquademie has the greatest range of Hansgrohe products anywhere in the UK, some displayed in room settings that will inspire you. Based in Esher, Surrey we have over three hundred squared metres of floor space.

Working displays enable you to see the many benefits of the products for yourself.

By appointment only.
Opening Hours:
Monday – Friday: 9 am – 4.30 pm
Phone: 01372 465 655

The Hansgrohe Aquademie, Schiltach, Germany

The Aquademie is our event centre where you can experience everything to do with water. Visit our museum to learn all about the history of bathing and the bathroom. Discover in our exhibition how international design stars turn a bathroom into a true oasis of well-being. Let us show you how innovative technologies can make saving water a pure pleasure. Or experience great shower and water fun in our Showerworld, Germany's largest bathroom.

Opening hours:
Monday – Friday: 7.30 am – 7 pm
Saturday – Sunday: 10.30 am – 4 pm
Free admission. Booking required.
Please bring swimwear.

Hansgrohe · Units D1 and D2 · Sandown Park Trading Estate · Royal Mills
Esher · Surrey · KT10 8BL · Tel. 01372 472 078 · Fax 01372 472 039
projects@hansgrohe.co.uk · www.hansgrohe.co.uk · www.pro.hansgrohe.co.uk

