



Ihr Online-Fachhändler für:



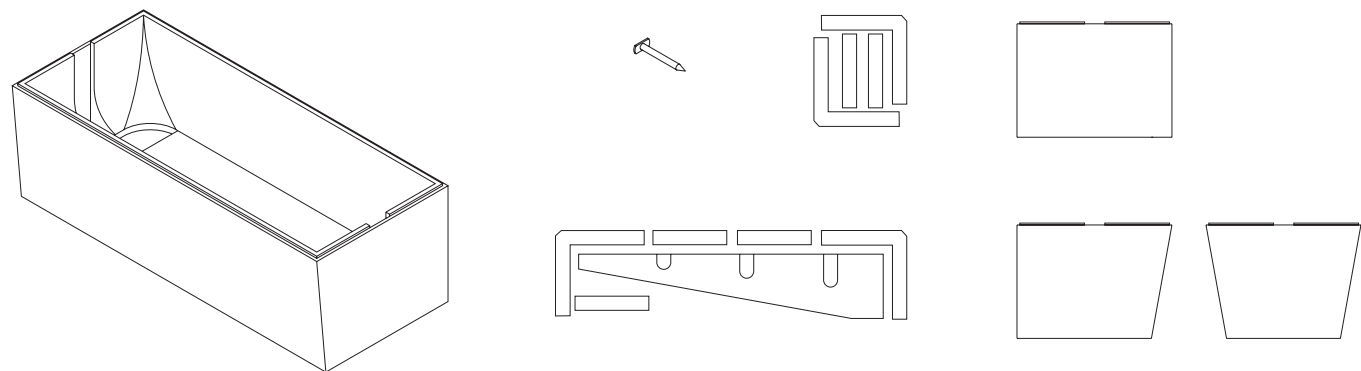
- Kostenlose und individuelle Beratung
- Hochwertige Produkte
- Kostenloser und schneller Versand

- TOP Bewertungen
- Exzelerter Kundenservice
- Über 20 Jahre Erfahrung



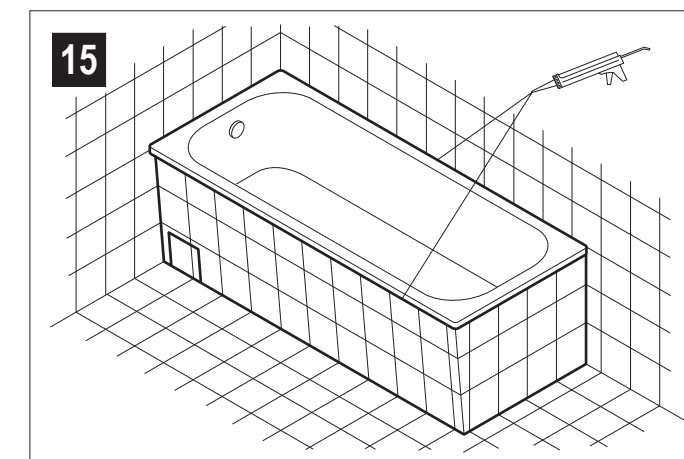
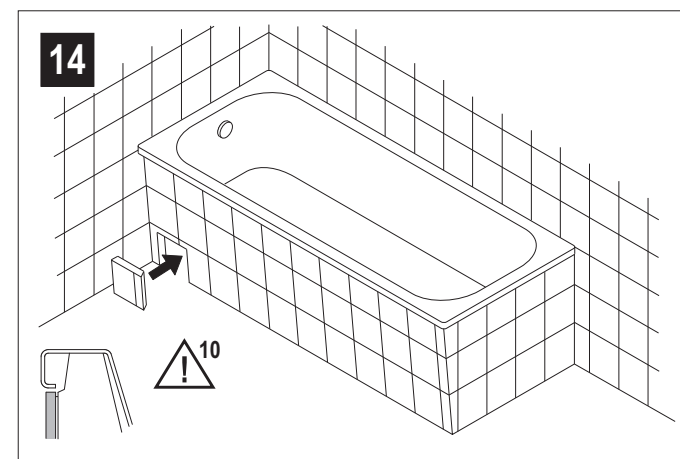
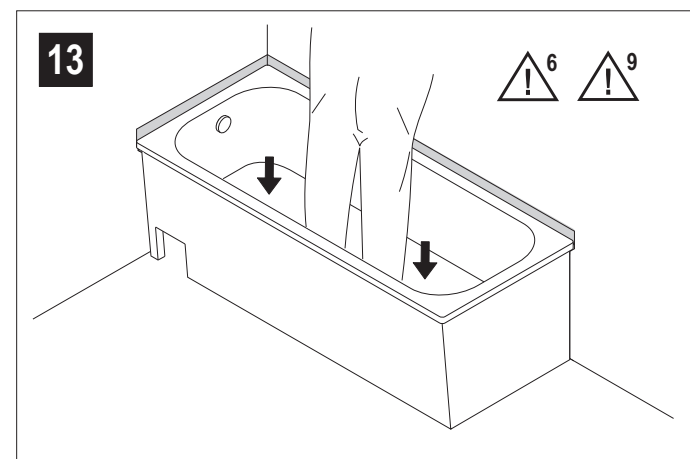
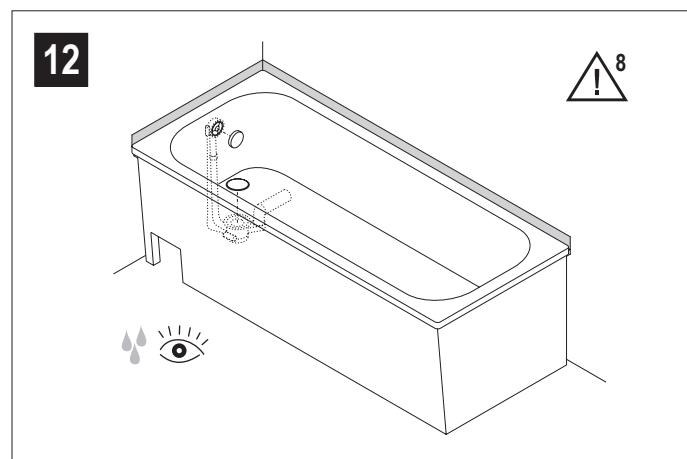
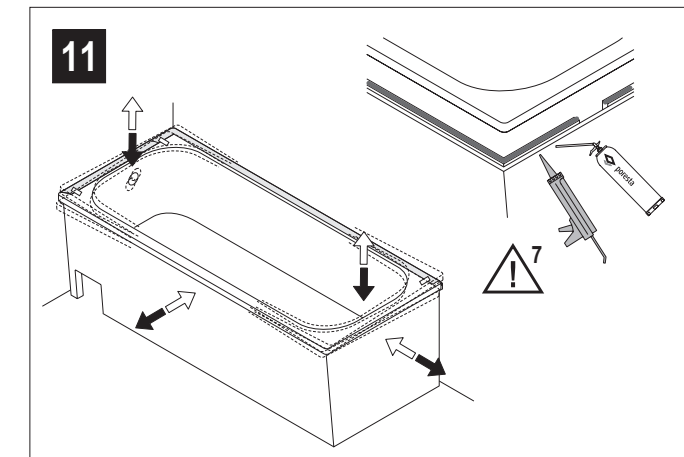
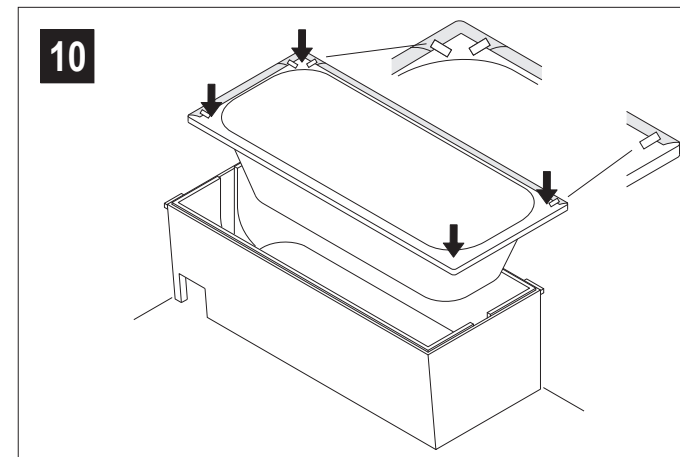
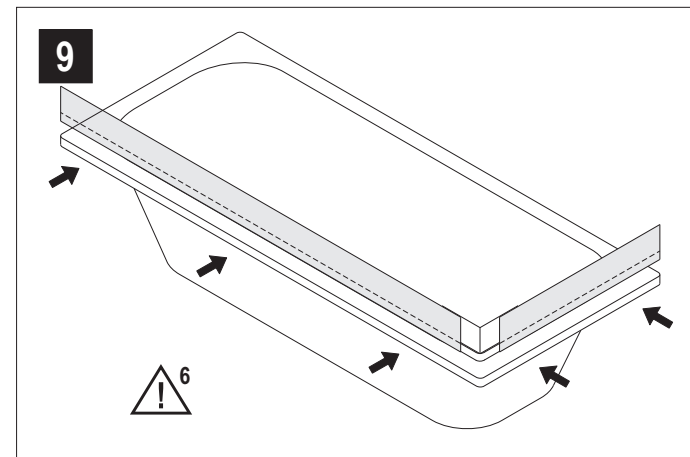
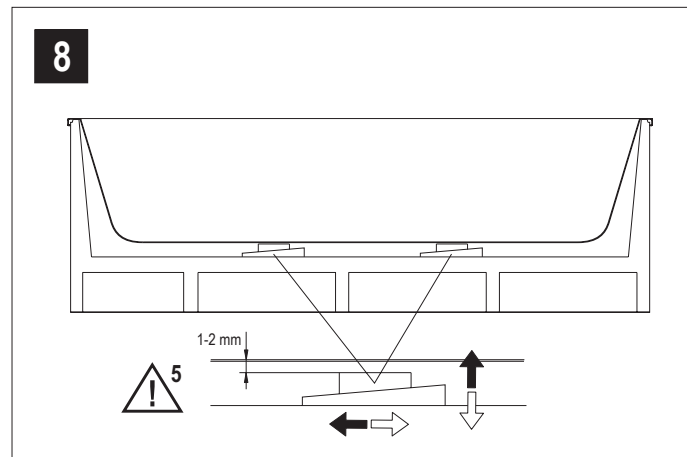
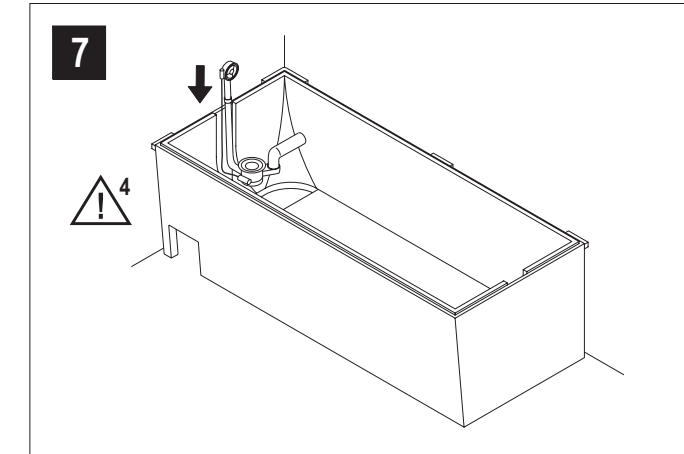
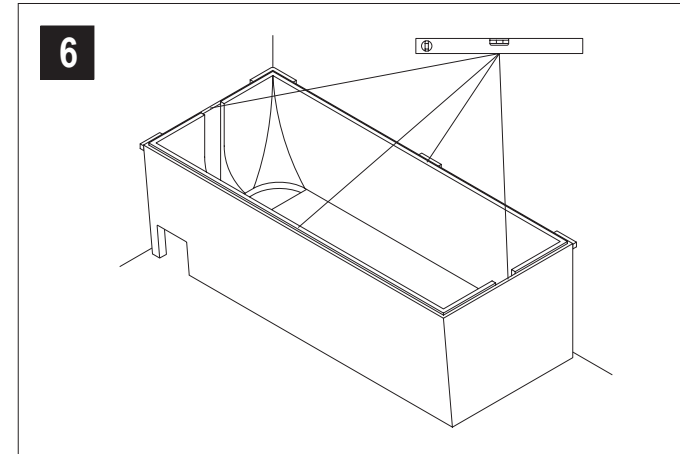
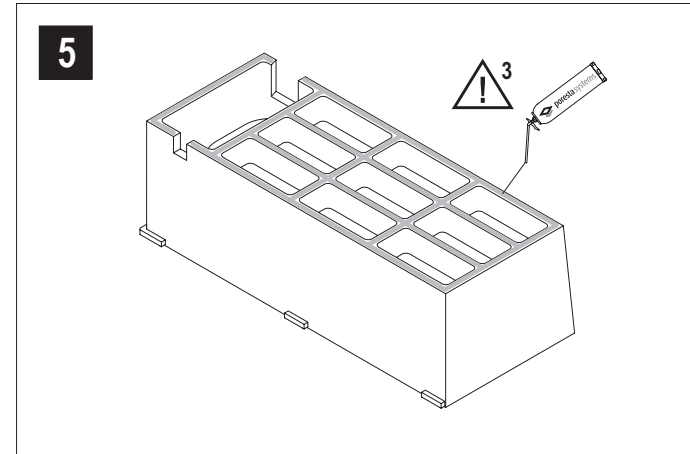
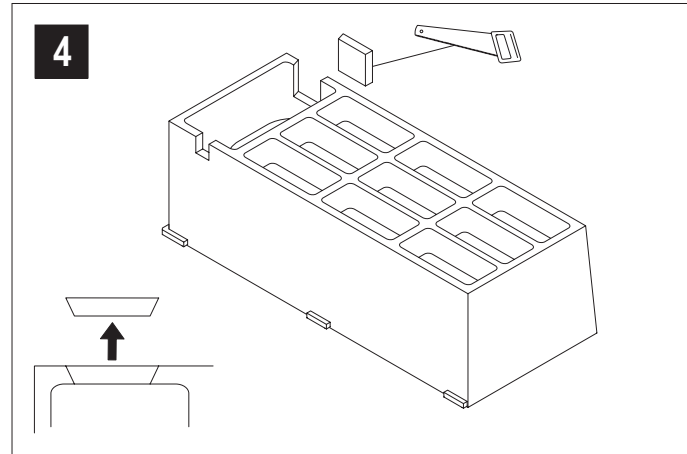
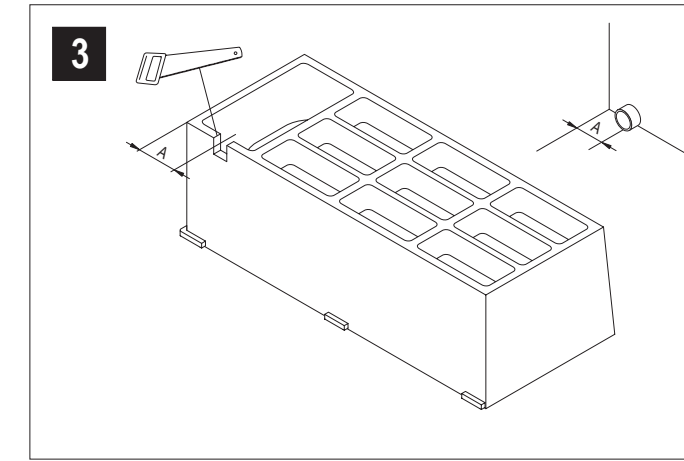
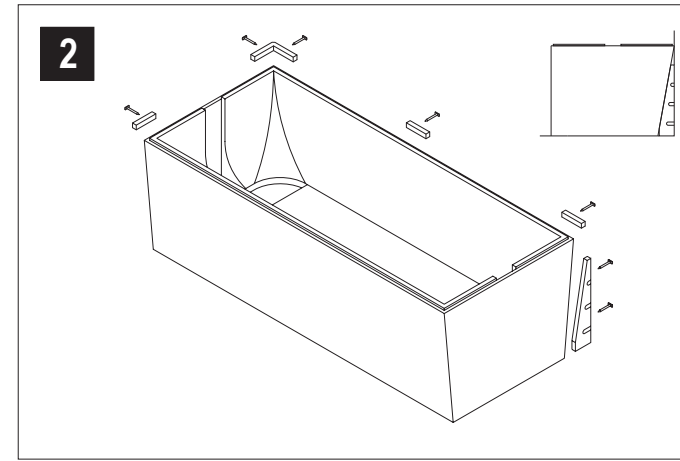
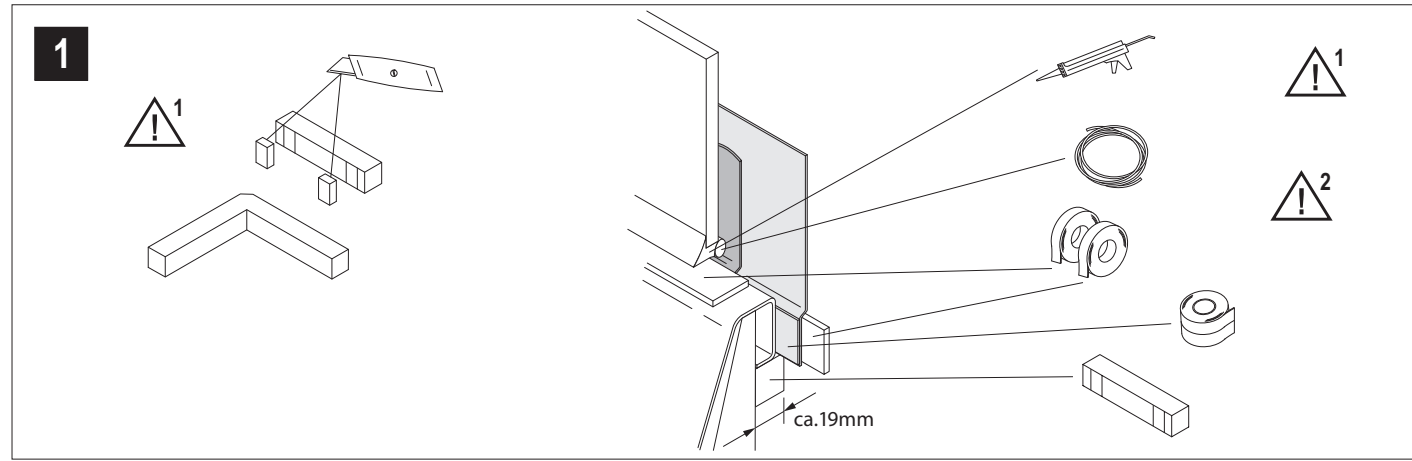
E-Mail: info@unidomo.de | Tel.: 04621 - 30 60 89 0 | www.unidomo.de

Einbauanleitung Mounting instruction Montagehandleiding Instructions de montage Istruzioni di montaggio Instrukcja montażu Инструкция по монтажу

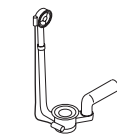



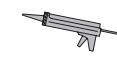
Poresta® Badewannenträger
Poresta® tub supporting frame
Poresta® Badkuipdrager
Support de baignoire Poresta®
Sistema di supporto Poresta®
per vasche da bagno
Obudowa do wanny Poresta®
Стойка для ванны Poresta®


- | | | | | | | |
|----------------------------------------------------------------------------------------------------------------------------------------------------------------------------------------------------------------------------------------------------------------------------------------------------------------------------------------------------------------------------------------------------------------------------------------------------------------------------------------------------------------------------------------------------------------------------------------------------------------------------------------------------------------------------------------------------------------------------------------------------------------------------------------------------------------------------------------------------------------------------------------------------------------------------------------------------------------------------------------------------------------------------------------------------------------------------------------------------------------------------------------------------------------------------------------------------------------------------------------------------------------------------------------------------------------------------------------------------------------------------------------------------------------------------------------------------------------------------------------------------------------------------------------------------------------------------------------------------------------------------------------------------------------------------------------------------------------------------------------------------------------------------------------------------------------------------------------------------------------------------------------------------------------------------------------------------------------------------------------------------------------------------------------------------------------------------------------------------------------------------------------------------------------------------------------------------------------------------------------------------------------------------------------------------------------------------------------------------------------------------------------------------------------------------|--------------------------------------------------------------------------------------------------------------------------------------------------------------------------------------------------------------------------------------------------------------------------------------------------------------------------------------------------------------------------------------------------------------------------------------------------------------------------------------------------------------------------------------------------------------------------------------------------------------------------------------------------------------------------------------------------------------------------------------------------------------------------------------------------------------------------------------------------------------------------------------------------------------------------------------------------------------------------------------------------------------------------------------------------------------------------------------------------------------------------------------------------------------------------------------------------------------------------------------------------------------------------------------------------------------------------------------------------------------------------------------------------------------------------------------------------------------------------------------------------------------------------------------------------------------------------------------------------------------------------------------------------------------------------------------------------------------------------------------------------------------------------------------------------------------------------------------------------------------------------------------------------------------------------------------------------------------------------------------------------------------------------------------------------------------------------------------------------------------------------------------------------------------------------------------------------------------------------------------------------------------------------------------------------------------------------------------------------------------------------------------------------------------------------------------------------------------------------|---------------------------------------------------------------------------------------------------------------------------------------------------------------------------------------------------------------------------------------------------------------------------------------------------------------------------------------------------------------------------------------------------------------------------------------------------------------------------------------------------------------------------------------------------------------------------------------------------------------------------------------------------------------------------------------------------------------------------------------------------------------------------------------------------------------------------------------------------------------------------------------------------------------------------------------------------------------------------------------------------------------------------------------------------------------------------------------------------------------------------------------------------------------------------------------------------------------------------------------------------------------------------------------------------------------------------------------------------------------------------------------------------------------------------------------------------------------------------------------------------------------------------------------------------------------------------------------------------------------------------------------------------------------------------------------------------------------------------------------------------------------------------------------------------------------------------------------------------------------------------------------------------------------------------------------------------------------------------------------------------------------------------------------------------------------------------------------------------------------------------------------------------------------------------------------------------------------------------------------------------------------------------------------------------------------------------------------------------------------------------------|-------------------------------------------------------------------------------------------------------------------------------------------------------------------------------------------------------------------------------------------------------------------------------------------------------------------------------------------------------------------------------------------------------------------------------------------------------------------------------------------------------------------------------------------------------------------------------------------------------------------------------------------------------------------------------------------------------------------------------------------------------------------------------------------------------------------------------------------------------------------------------------------------------------------------------------------------------------------------------------------------------------------------------------------------------------------------------------------------------------------------------------------------------------------------------------------------------------------------------------------------------------------------------------------------------------------------------------------------------------------------------------------------------------------------------------------------------------------------------------------------------------------------------------------------------------------------------------------------------------------------------------------------------------------------------------------------------------------------------------------------------------------------------------------------------------------------------------------------------------------------------------------------------------------------------------------------------------------------------------------------------------------------------------------------------------------------------------------------------------------------------------------------------------------------------------------------------------------------------------------------------------------------------------------------------------------------------------------------------------------------------------------------------------------------------------------------------------------------------------------------------------------------------------------------------------------------------------------------------------------------------------------------------------------------------------------------------------------------------------------------------------------------------------------------------------------------------------------------------------------------------------------------------------------------------------------------------------------------------------------------------------------------------------------------------------------------------------------------------|---------------------------------------------------------------------------------------------------------------------------------------------------------------------------------------------------------------------------------------------------------------------------------------------------------------------------------------------------------------------------------------------------------------------------------------------------------------------------------------------------------------------------------------------------------------------------------------------------------------------------------------------------------------------------------------------------------------------------------------------------------------------------------------------------------------------------------------------------------------------------------------------------------------------------------------------------------------------------------------------------------------------------------------------------------------------------------------------------------------------------------------------------------------------------------------------------------------------------------------------------------------------------------------------------------------------------------------------------------------------------------------------------------------------------------------------------------------------------------------------------------------------------------------------------------------------------------------------------------------------------------------------------------------------------------------------------------------------------------------------------------------------------------------------------------------------------------------------------------------------------------------------------------------------------------------------------------------------------------------------------------------------------------------------------------------------------------------------------------------------------------------------------------------------------------------------------------------------------------------------------------------------------------------------------------------------------------------------------------------------------------------------------------------------------------------------------------------------------------------------------------------------------------------------------------------------------------------------------------------------------------------------------------------------------------------------------------------------------------------------------------------------------------------------------------------------------------------------------------------------------------------------------------------------------------------------------------------------------------------------------------------------------------------------------------------|--------------------------------------------------------------------------------------------------------------------------------------------------------------------------------------------------------------------------------------------------------------------------------------------------------------------------------------------------------------------------------------------------------------------------------------------------------------------------------------------------------------------------------------------------------------------------------------------------------------------------------------------------------------------------------------------------------------------------------------------------------------------------------------------------------------------------------------------------------------------------------------------------------------------------------------------------------------------------------------------------------------------------------------------------------------------------------------------------------------------------------------------------------------------------------------------------------------------------------------------------------------------------------------------------------------------------------------------------------------------------------------------------------------------------------------------------------------------------------------------------------------------------------------------------------------------------------------------------------------------------------------------------------------------------------------------------------------------------------------------------------------------------------------------------------------------------------------------------------------------------------------------------------------------------------------------------------------------------------------------------------------------------------------------------------------------------------------------------------------------------------------------------------------------------------------------------------------------------------------------------------------------------------------------------------------------------------------------------------------------------------------------------------------------------------------------------------------------------------------------------------------------------------------------------------------------------------------------------------------------------------------------------------------------------|-------------------------------------------------------------------------------------------------------------------------------------------------------------------------------------------------------------------------------------------------------------------------------------------------------------------------------------------------------------------------------------------------------------------------------------------------------------------------------------------------------------------------------------------------------------------------------------------------------------------------------------------------------------------------------------------------------------------------------------------------------------------------------------------------------------------------------------------------------------------------------------------------------------------------------------------------------------------------------------------------------------------------------------------------------------------------------------------------------------------------------------------------------------------------------------------------------------------------------------------------------------------------------------------------------------------------------------------------------------------------------------------------------------------------------------------------------------------------------------------------------------------------------------------------------------------------------------------------------------------------------------------------------------------------------------------------------------------------------------------------------------------------------------------------------------------------------------------------------------------------------------------------------------------------------------------------------------------------------------------------------------------------------------------------------------------------------------------------------------------------------------------------------------------------------------------------------------------------------------------------------------------------------------------------------------------------------------------------------------------------------------------------------------------------------------------------------------------------------------------------------------------------------------------------------|
| <p>! Die einschlägigen Verarbeitungsrichtlinien aller beteiligten Gewerke sind zu berücksichtigen.</p> <p>! Für den Einbau des Wannenträgers muss ein ebener, sauberer, tragfähiger, schwingungsfreier und für die Verklebung mit Poresta® Wannenträger Montageschaum oder Poresta® Profi Flex zementärer Kleber geeigneter Untergrund vorhanden sein.</p> <p>! Bei Arbeiten mit Poresta® Wannenträger Montageschaum sind die Verarbeitungshinweise zu beachten. Achtung: Zündquellen vom Montageschaum fernhalten und nicht rauchen. Treibgase vor Setzen des Wannenträgers gut ablüften lassen.</p> <p>1 Die Fliesenstärke inklusive Fliesenkleber muss berücksichtigt werden und die Abstandhalter angepasst werden.</p> <p>2 Vor Verfügen der Badewanne mit Silikon ist ein Hinterfüllmaterial (Rundschnur) einzubringen.</p> <p>3 Alle Bodenrippen mit Poresta® Wannenträger Montageschaum verschäumen.</p> <p>4 Für die Installation der Ablaufgarnitur (z.B. „Poresta Fix“) ist die beiliegende Einbauanleitung des Herstellers zu beachten (Ablaufgarnitur nicht im Lieferumfang).</p> <p>5 Bei Badewannenträgern mit Verstellboden Sitz- und Unterstützung der Badewanne überprüfen und Verstellkeile gegebenenfalls nach Vorgabe einstellen.</p> <p>6 3D Wannenrand Dichtset gemäß Einbauanleitung poresta systems GmbH montieren (Nicht im Lieferumfang).</p> <p>7 Abhilfe bei Toleranzen: Bei federnden Wannenrandbereichen oder nachgebenden Wannenträgerwänden im Wannenrandbereich mit Poresta® Wannenträger Montageschaum oder Poresta® Konstruktionskleber unterfüllen bzw. verkleben. Auf richtigen Wandabstand des Wannenrandes und richtigen Wannenrandüberstand zum Badewannenträger achten – Badewanne im Badewannenträger fugengerecht ausrichten. Bei Acryl-Badewannen ist der Wannenrandbereich immer zu unterfüllen. Achtung: Zündquellen vom Montageschaum fernhalten und nicht rauchen. Treibgase gut ablüften lassen.</p> <p>8 Nach Installation der Ablaufgarnitur ist eine Dichtigkeitsprüfung durchzuführen. Achtung: Bei der Prüfung im Revisionsschacht Zündquellen fernhalten und nicht rauchen.</p> <p>9 Zur korrekten Auflage Badewanne belasten.</p> <p>10 Die verflusste Revisionsschachtabdeckung mit Silikon oder Poresta® Konstruktionskleber STP einsetzen.</p> | <p>! The relevant working guidelines of all the trades involved shall be observed.</p> <p>! The tub supporting frame must be mounted on a plane, clean, load-bearing and vibration-free surface suitable for bonding with Poresta® supporting frame mounting foam or Poresta® Profi Flex cement adhesive.</p> <p>! When working with Poresta® supporting frame mounting foam, the working instructions shall be observed. Warning: Keep mounting foam away from ignition sources and do not smoke. Thoroughly ventilate propellants before installing the supporting frame.</p> <p>1 The tile thickness including tile adhesive must be taken into account and the spacers have to be adjusted.</p> <p>2 Before jointing the bathtub with silicone, backfilling material (round cord) must be placed.</p> <p>3 Apply Poresta® supporting frame mounting foam to all bottom ribs.</p> <p>4 When mounting the drain fitting (e.g. "Poresta Fix"), the enclosed installation instructions of the manufacturer must be observed (waste fitting not included in the scope of supply).</p> <p>5 Supporting frames with adjustable bottom: Check the seat and support of the bathtub and adjust the adjusting wedges to size as required.</p> <p>6 Install 3D bathtub rim sealing set according to the installation instructions of poresta systems GmbH. (Not included in scope of supply).</p> <p>7 To remedy tolerances, underfill springy bathtub edge areas or yielding supporting frame walls in the tub edge area with Poresta® supporting frame mounting foam or apply Poresta® structural adhesive. Observe the correct clearance between wall and bathtub edge and the correct protrusion between tub edge and supporting frame – align the bathtub in the supporting frame along the joints. With acrylic bathtubs, the edge area must generally be underfilled. Warning: Keep mounting foam away from ignition sources and do not smoke. Thoroughly ventilate propellants.</p> <p>8 After the installation of the drain fitting, a leak test has to be carried out. Warning: When checking the inspection chamber, do not use ignition sources and do not smoke.</p> <p>9 To make sure the bathtub is properly supported, press it down.</p> <p>10 Mount the tiled inspection chamber cover using silicone or Poresta® structural adhesive STP.</p> | <p>! Rekening houden met de verwerkingsrichtlijnen van alle betroffen leveranciers.</p> <p>! Voor montage van de kuipdrager moet een vlakke, schone en zonder vibratie dragende ondergrond aanwezig zijn, die geschikt is voor het bevestigen met Poresta® kuipdrager-montageschuim of met cementgebonden lijm Poresta® Profi Flex.</p> <p>! Bij werken met Poresta® badkuipdragermontageschuim op de toepassingsrichtlijnen letten. Let op: montageschuim uit de buurt van ontstekingsbronnen houden en niet roken! Vóór plaatsing van de drager drijfgassen goed laten ontluften.</p> <p>1 U moet rekening houden met de dikte van de tegels inclusief tegellijm en de afstandhouders moeten worden aangepast.</p> <p>2 Voor het voegen van de badkuip met siliconen als afdichtingsmateriaal een (ronde) afdichtsnor plaatsen.</p> <p>3 Alle bodemribben met Poresta®-badkuipdragermontageschuim volschuimen.</p> <p>4 Voor installatie van de afvoergarnituur (bijv. „Poresta Fix“) op de bijgaande montagehandleiding van de fabrikant letten (afvoergarnituur niet in de levering inbegrepen).</p> <p>5 Bij badkuipdragers met verstelbare bodem positie en ondersteuning van de kuip controleren en spieën eventueel volgens opgave afstellen.</p> <p>6 3D-afdichtset badkuiprand volgens montagehandleiding poresta systems GmbH monteren (niet meegeleverd).</p> <p>7 Oplossen van toleranties: Bij verende stukken in de douchebakrand of verende kuipwanden Poresta®-kuipdragermontageschuim of Poresta®-constructielijm aanbrengen. Op de juiste wandafstand van de kuiprand en de juiste afstand tussen kuiprand en drager letten – kuip in de kuipdrager aan de hand van de voegen uitrichten. Bij acryl-badkuipen moet altijd een opvullaag worden aangebracht. Let op: montageschuim uit de buurt van ontstekingsbronnen houden en niet roken! Drijfgassen goed laten ontluften.</p> <p>8 Na installatie van de afvoergarnituur controleren, of deze goed afsluit. Let op: tijdens de controle door de revisie-opening ontstekingsbronnen uit de buurt houden en niet roken!</p> <p>9 Ter controle van de juiste positie badkuip belasten.</p> <p>10 De betegelde revisie-afdekking met siliconen of Poresta®-constructielijm STP inzetten.</p> | <p>! Les instructions correspondantes de mise en oeuvre de tous les métiers participants sont à respecter.</p> <p>! Pour le montage du support de baignoire, il est nécessaire d'avoir une surface plane, propre, stable, exempte de vibrations et appropriée à l'application de mousse de montage pour supports de baignoire Poresta® ou de mortier-colle Profi Flex Poresta®.</p> <p>! Lors de travaux avec de la mousse de montage pour supports de baignoires Poresta®, il faut respecter les instructions de mise en oeuvre. Attention: éviter la présence de sources inflammables à proximité de la mousse de montage et ne pas fumer. Avant de poser le support de baignoire, laisser s'évacuer les gaz propulseurs.</p> <p>1 Tenir compte de l'épaisseur des carreaux y compris la colle pour carreaux et les écarteurs doivent être adaptés.</p> <p>2 Avant de procéder au jointoiement avec de la silicone, placer du matériau de remplissage (cordon rond).</p> <p>3 Revêtir toutes les nervures de fond par de la mousse de montage pour supports de baignoires Poresta®.</p> <p>4 Pour l'installation de la garniture d'écoulement (p.ex. „Poresta Fix“), respecter les instructions du fabricant qui y sont jointes (garniture d'écoulement pas comprise dans la fourniture).</p> <p>5 En cas de supports de baignoires avec fond réglable, contrôler la position et l'appui corrects de la baignoire et, le cas échéant, ajuster les cales de réglage selon les instructions.</p> <p>6 Bordure de baignoire 3D Monter le jeu d'étanchéité conformément à la notice d'installation de poresta systems GmbH (non fournie).</p> <p>7 Remède en cas de tolérances: dans le cas d'un effet de ressort dans la zone du bord de la baignoire ou d'un fléchissement des parois des supports dans la zone du bord de la baignoire, appliquer du matériau de remplissage comme de la mousse de montage pour supports de baignoires Poresta® ou coller au moyen de colle de construction Poresta®. Faire attention à la distance correcte entre le mur et le bord de la baignoire et à la saillie correcte du bord de la baignoire par rapport au système de support de la baignoire – aligner la baignoire dans le système de support de manière correcte par rapport aux joints. En cas de baignoires acryliques, il faut toujours prévoir du matériau de remplissage dans la zone du bord de la baignoire. Attention: Eviter la présence de sources inflammables à proximité de la mousse de montage et ne pas fumer. Laisser s'évacuer les gaz propulseurs.</p> <p>8 Après installation de la garniture d'écoulement, procéder à un contrôle de l'étanchéité. Attention: Lors de contrôles dans le regard d'égout, éloigner les sources inflammables et ne pas fumer.</p> <p>9 Pour assurer un appui correct, charger la baignoire.</p> <p>10 Installer la couverture carrelée du regard d'égout en utilisant de la silicone ou de la colle de construction STP Poresta®.</p> | <p>! Si deve osservare le istruzioni corrispondenti di lavorazione di tutti i mestieri partecipanti.</p> <p>! Per il montaggio del supporto di vasca è necessario d'avere una superficie piana, pulita, stabile, esente da vibrazioni ed appropriata all'applicazione di schiuma di montaggio per supporti di vasca Poresta® o adesivo cementizio Profi Flex Poresta®.</p> <p>! Per lavori con schiuma di montaggio Poresta® per supporti di vasca, si deve osservare le istruzioni di lavorazione. Attenzione: Evitare la presenza di fonti infiammabili in prossimità della schiuma di montaggio e non fumare. Lasciar evacuare gas propellenti prima di posare il supporto di vasca.</p> <p>1 Lo spessore delle piastrelle vi compresa la colla per piastrelle deve essere preso in considerazione ed i distanziatori devono essere aggiustati.</p> <p>2 Prima di rabboccare con silicone i giunti della vasca, applicare un materiale di riempimento (corda tonda).</p> <p>3 Rivestire con schiuma di montaggio Poresta® per supporti di vasca tutte le coste di fondo.</p> <p>4 Per l'installazione dell'elemento di scarico (p. es. „Poresta Fix“) si deve osservare le istruzioni di montaggio giunte del produttore (gruppo di scarico non compreso nella fornitura).</p> <p>5 In caso di supporti di vasca con fondo regolabile controllare la posizione e l'appoggio corretto della vasca e eventualmente aggiustare i cunei d'aggiustaggio secondo le istruzioni.</p> <p>6 Installare set di guarnizione del bordo della vasca 3D secondo le istruzioni di montaggio di poresta systems GmbH (non incluso nella consistenza di fornitura).</p> <p>7 Rimedio in caso di tolleranze: In caso d'effetto di molla nella zona del bordo della vasca o di pareti cedevoli del supporto di vasca nella zona del bordo della vasca è necessario di applicare un materiale di riempimento come schiuma di montaggio Poresta® per supporti di vasca o colla di costruzione Poresta®. Badare alla distanza corretta fra il muro ed il bordo della vasca nonché alla sporgenza corretta del bordo della vasca riguardo al supporto di vasca – allineare la vasca nel sistema di supporto correttamente per quanto riguarda i giunti. Per quanto riguarda le vasche acriliche è necessario di prevedere sempre del materiale di riempimento per la zona del bordo della vasca. Attenzione: Evitare la presenza di fonti infiammabili in prossimità della schiuma di montaggio e non fumare. Lasciar evaporare i gas propellenti.</p> <p>8 Dopo l'installazione del gruppo di scarico si deve procedere ad una prova di tenuta. Attenzione: Durante controlli nel pozzetto d'ispezione evitare la presenza di fonti infiammabili e non fumare.</p> <p>9 Per l'alloggiamento corretto caricare la vasca.</p> <p>10 Per installare la copertura piastrellata del pozzetto d'ispezione utilizzare silicone o colla di costruzione STP Poresta®.</p> | <p>! Obowiązują uwzględnienie zasad wykonawstwa wszystkich związanych branż.</p> <p>! Do montażu obudowy wanny konieczne jest płaskie, czyste podłoże o odpowiedniej nośności, wolne od wibracji i nadające się do przyklejenia pianki montażowej do obudowy wanny Poresta® lub kleju cementowy Poresta® Profi Flex.</p> <p>! Podczas pracy z pianką montażową do obudowy wanny Poresta® należy przestrzegać wskazówek dotyczących sposobu użycia pianki. Uwaga: Nie zbliżać się ze źródłami ognia do pianki montażowej i nie palić tytoniu. Przed montażem obudowy do wanny dokładnie wywietrzyć pomieszczenie z gazów piankowych.</p> <p>1 Należy uwzględnić grubość płytek ceramicznych łączące z klejem i dopasować elementy dystansujące.</p> <p>2 Przed zafugowaniem wanny kapielowej silikonem należy założyć materiał podkładowy (okrągły sznur).</p> <p>3 Wszystkie żebra podłogowe pokryć pianką montażową do obudowy wanny Poresta®.</p> <p>4 Przy instalacji kompletu odpływowego (np. „Poresta Fix“) należy przestrzegać instrukcji montażu wydanej przez producenta (komplet odpływowy nie wchodzi w skład zestawu).</p> <p>5 W przypadku obudowy do wanny z regulowaną wysokością spodu sprawdzić osadzenie i podparcie wanny, w razie potrzeby wstawić kliny regulujące.</p> <p>6 Zamontować zestaw uszczelniający 3D do obrzeża wanny zgodnie z instrukcją montażu firmy poresta systems GmbH (nie wchodzi w zakres dostawy).</p> <p>7 Postępowanie w razie odchytek: W przypadku sprężynowania krawędzi wanny lub podatnych na odkształcenia ścianek obudowy w obszarze krawędzi wanny należy te miejsca wypełnić pianką montażową Poresta® lub podkleić klejem konstrukcyjnym Poresta®. Dopilnować prawidłowego odstępu krawędzi wanny od ściany i właściwego występu wanny znad obudowy – wyregulować ustawienie wanny kapielowej w obudowie zgodnie z przebiegiem fug. W przypadku akrylowych wanien kapielowych należy zawsze wypełnić pianką obszar na krawędzi wanny. Uwaga: Nie zbliżać się ze źródłami ognia do pianki montażowej i nie palić tytoniu. Dokładnie wywietrzyć pomieszczenie z gazów piankowych.</p> <p>8 Po montażu kompletu odpływowego należy przeprowadzić próbę szczelności. Uwaga: Podczas przeprowadzania próby w otworze rewizyjnym nie zbliżać się ze źródłami ognia i nie palić tytoniu.</p> <p>9 W celu uzyskania prawidłowego ułożenia wanny w obudowie obciążyć wannę.</p> <p>10 Założyć oklejoną płytkami pokrywę otworu rewizyjnego z użyciem silikonu lub kleju konstrukcyjnego STP Poresta®.</p> | <p>! Учитывайте соответствующие руководства по обработке всего оборудования, используемого при установке.</p> <p>! Монтаж стойки для ванны должен осуществляться на ровной, чистой, прочной и безвибрационной поверхности, пригодной для использования монтажной пены Poresta® для ванн стоек или цементного клея Poresta® Profi Flex.</p> <p>! При проведении работ с монтажной пеной Poresta® для ванн стоек необходимо соблюдать инструкции по ее применению. Внимание: не работайте с монтажной пеной вблизи источников возгорания и не курите во время работы. Перед установкой стойки для ванны хорошо проветрите помещение от рабочих газов.</p> <p>1 Учитывайте толщину плитки и клевого слоя, установите распорки.</p> <p>2 Перед заделыванием швов стойки для ванны силиконом необходимо проложить заполнитель (крутлый шнур).</p> <p>3 Все напольные ребра запеньте монтажной пеной Poresta® для стоек.</p> <p>4 При установке сливной арматуры (например, „Poresta Fix“) необходимо соблюдать прилагаемую инструкцию производителя по монтажу (сливная арматура в комплект поставки не входит).</p> <p>5 При установке стойки для ванны с регулируемой высоты dna проверьте посадку и крепление ванны и стеной согласно инструкции по размеру регулировочные клинья.</p> <p>6 Установить 3D-систему уплотнения стыка между краем ванны и стеной согласно инструкции по монтажу компании poresta systems GmbH (не входит в комплект поставки).</p> <p>7 Устранение неплотностей посадки: пружинящие края ванны или неплотно прилегающие края стенок стойки для ванны заполните монтажной пеной Poresta® для ванн стоек или конструкционным клеем Poresta®. Следите за правильным расстоянием между краем ванны и стеной, а также расположением края ванны относительно стойки для ванны – выровняйте ванну в стойке по стыкам. В акриловых ваннах всегда прокладывайте заполнитель снизу по краю ванны. Внимание: не работайте с монтажной пеной вблизи источников возгорания и не курите во время работы. Хорошо проветрите помещение от рабочих газов.</p> <p>8 После установки проверьте сливную арматуру на герметичность. Внимание: при проведении проверок через контрольное отверстие не используйте источники возгорания и не курите.</p> <p>9 Для правильной посадки прижмите ванну.</p> <p>10 Облицованную плиткой дверку контрольного отверстия закрепите силиконом или конструкционным клеем STP Poresta®.</p> |
|----------------------------------------------------------------------------------------------------------------------------------------------------------------------------------------------------------------------------------------------------------------------------------------------------------------------------------------------------------------------------------------------------------------------------------------------------------------------------------------------------------------------------------------------------------------------------------------------------------------------------------------------------------------------------------------------------------------------------------------------------------------------------------------------------------------------------------------------------------------------------------------------------------------------------------------------------------------------------------------------------------------------------------------------------------------------------------------------------------------------------------------------------------------------------------------------------------------------------------------------------------------------------------------------------------------------------------------------------------------------------------------------------------------------------------------------------------------------------------------------------------------------------------------------------------------------------------------------------------------------------------------------------------------------------------------------------------------------------------------------------------------------------------------------------------------------------------------------------------------------------------------------------------------------------------------------------------------------------------------------------------------------------------------------------------------------------------------------------------------------------------------------------------------------------------------------------------------------------------------------------------------------------------------------------------------------------------------------------------------------------------------------------------------------------|--------------------------------------------------------------------------------------------------------------------------------------------------------------------------------------------------------------------------------------------------------------------------------------------------------------------------------------------------------------------------------------------------------------------------------------------------------------------------------------------------------------------------------------------------------------------------------------------------------------------------------------------------------------------------------------------------------------------------------------------------------------------------------------------------------------------------------------------------------------------------------------------------------------------------------------------------------------------------------------------------------------------------------------------------------------------------------------------------------------------------------------------------------------------------------------------------------------------------------------------------------------------------------------------------------------------------------------------------------------------------------------------------------------------------------------------------------------------------------------------------------------------------------------------------------------------------------------------------------------------------------------------------------------------------------------------------------------------------------------------------------------------------------------------------------------------------------------------------------------------------------------------------------------------------------------------------------------------------------------------------------------------------------------------------------------------------------------------------------------------------------------------------------------------------------------------------------------------------------------------------------------------------------------------------------------------------------------------------------------------------------------------------------------------------------------------------------------------------|---------------------------------------------------------------------------------------------------------------------------------------------------------------------------------------------------------------------------------------------------------------------------------------------------------------------------------------------------------------------------------------------------------------------------------------------------------------------------------------------------------------------------------------------------------------------------------------------------------------------------------------------------------------------------------------------------------------------------------------------------------------------------------------------------------------------------------------------------------------------------------------------------------------------------------------------------------------------------------------------------------------------------------------------------------------------------------------------------------------------------------------------------------------------------------------------------------------------------------------------------------------------------------------------------------------------------------------------------------------------------------------------------------------------------------------------------------------------------------------------------------------------------------------------------------------------------------------------------------------------------------------------------------------------------------------------------------------------------------------------------------------------------------------------------------------------------------------------------------------------------------------------------------------------------------------------------------------------------------------------------------------------------------------------------------------------------------------------------------------------------------------------------------------------------------------------------------------------------------------------------------------------------------------------------------------------------------------------------------------------------------|-------------------------------------------------------------------------------------------------------------------------------------------------------------------------------------------------------------------------------------------------------------------------------------------------------------------------------------------------------------------------------------------------------------------------------------------------------------------------------------------------------------------------------------------------------------------------------------------------------------------------------------------------------------------------------------------------------------------------------------------------------------------------------------------------------------------------------------------------------------------------------------------------------------------------------------------------------------------------------------------------------------------------------------------------------------------------------------------------------------------------------------------------------------------------------------------------------------------------------------------------------------------------------------------------------------------------------------------------------------------------------------------------------------------------------------------------------------------------------------------------------------------------------------------------------------------------------------------------------------------------------------------------------------------------------------------------------------------------------------------------------------------------------------------------------------------------------------------------------------------------------------------------------------------------------------------------------------------------------------------------------------------------------------------------------------------------------------------------------------------------------------------------------------------------------------------------------------------------------------------------------------------------------------------------------------------------------------------------------------------------------------------------------------------------------------------------------------------------------------------------------------------------------------------------------------------------------------------------------------------------------------------------------------------------------------------------------------------------------------------------------------------------------------------------------------------------------------------------------------------------------------------------------------------------------------------------------------------------------------------------------------------------------------------------------------------------------------------------------|---------------------------------------------------------------------------------------------------------------------------------------------------------------------------------------------------------------------------------------------------------------------------------------------------------------------------------------------------------------------------------------------------------------------------------------------------------------------------------------------------------------------------------------------------------------------------------------------------------------------------------------------------------------------------------------------------------------------------------------------------------------------------------------------------------------------------------------------------------------------------------------------------------------------------------------------------------------------------------------------------------------------------------------------------------------------------------------------------------------------------------------------------------------------------------------------------------------------------------------------------------------------------------------------------------------------------------------------------------------------------------------------------------------------------------------------------------------------------------------------------------------------------------------------------------------------------------------------------------------------------------------------------------------------------------------------------------------------------------------------------------------------------------------------------------------------------------------------------------------------------------------------------------------------------------------------------------------------------------------------------------------------------------------------------------------------------------------------------------------------------------------------------------------------------------------------------------------------------------------------------------------------------------------------------------------------------------------------------------------------------------------------------------------------------------------------------------------------------------------------------------------------------------------------------------------------------------------------------------------------------------------------------------------------------------------------------------------------------------------------------------------------------------------------------------------------------------------------------------------------------------------------------------------------------------------------------------------------------------------------------------------------------------------------------------------|--------------------------------------------------------------------------------------------------------------------------------------------------------------------------------------------------------------------------------------------------------------------------------------------------------------------------------------------------------------------------------------------------------------------------------------------------------------------------------------------------------------------------------------------------------------------------------------------------------------------------------------------------------------------------------------------------------------------------------------------------------------------------------------------------------------------------------------------------------------------------------------------------------------------------------------------------------------------------------------------------------------------------------------------------------------------------------------------------------------------------------------------------------------------------------------------------------------------------------------------------------------------------------------------------------------------------------------------------------------------------------------------------------------------------------------------------------------------------------------------------------------------------------------------------------------------------------------------------------------------------------------------------------------------------------------------------------------------------------------------------------------------------------------------------------------------------------------------------------------------------------------------------------------------------------------------------------------------------------------------------------------------------------------------------------------------------------------------------------------------------------------------------------------------------------------------------------------------------------------------------------------------------------------------------------------------------------------------------------------------------------------------------------------------------------------------------------------------------------------------------------------------------------------------------------------------------------------------------------------------------------------------------------------------------|-------------------------------------------------------------------------------------------------------------------------------------------------------------------------------------------------------------------------------------------------------------------------------------------------------------------------------------------------------------------------------------------------------------------------------------------------------------------------------------------------------------------------------------------------------------------------------------------------------------------------------------------------------------------------------------------------------------------------------------------------------------------------------------------------------------------------------------------------------------------------------------------------------------------------------------------------------------------------------------------------------------------------------------------------------------------------------------------------------------------------------------------------------------------------------------------------------------------------------------------------------------------------------------------------------------------------------------------------------------------------------------------------------------------------------------------------------------------------------------------------------------------------------------------------------------------------------------------------------------------------------------------------------------------------------------------------------------------------------------------------------------------------------------------------------------------------------------------------------------------------------------------------------------------------------------------------------------------------------------------------------------------------------------------------------------------------------------------------------------------------------------------------------------------------------------------------------------------------------------------------------------------------------------------------------------------------------------------------------------------------------------------------------------------------------------------------------------------------------------------------------------------------------------------------------|



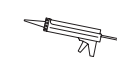
Empfohlenes Zubehör /
Recommended accessories /
Aanbevolen toebehoren /
Accessoires recommandés /
Accessori raccomandati /
Zalecany osprzęt /
Рекомендуемые комплектующие:

-  **Poresta®**
Fix Ablaufgarnitur /
Fix drain fitting /
Fix Afvoergarnituur /
Garniture d'écoulement Fix /
Elemento di scarico Fix /
Komplet odpływowy Fix /
Сливная арматура Fix
-  **Poresta®**
Wannenträger Montageschaum /
Supporting frame mounting foam /
Badkuipdragermontageschuim /
Mousse de montage pour supports de
baignoires /
Schiuma di montaggio per sopporti di vasca /
Pianka montażowa do obudowy wanny /
Монтажная пена для стойки для ванной

-  **Poresta®**
Konstruktionskleber STP /
Structural adhesive STP /
Constructielijm STP /
Colle de construction STP /
Colla di costruzione STP /
Klej konstrukcyjny STP /
Конструкционный клей STP

-  **Poresta®**
3D Wannrand-Dichtset /
3D Bathtub Rim Sealing Set /
3D-afdichtset badkuiprand /
3D Bordure de baignoire Jeu d'étanchéité /
Set di guarnizione del bordo della vasca 3D /
Zestaw uszczelniający 3D do obrzeża
wanny /
3D-система уплотнения стыка между краем
ванны и стенкой

-  **Hinterfüllmaterial /**
Backfilling material /
Opvulmateriaal /
Matériau de remplissage /
Materiale di riempimento /
Materiał podkładowy /
Заполнитель

-  **Silikon /**
Silicone /
Siliconen /
Silicone /
Silicone /
Silikon /
Силикон