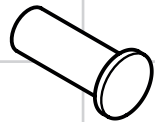


ZH 组装说明

EN assembly instructions



Logis E
41711007



Ihr Online-Fachhändler für:

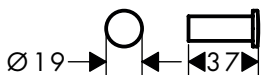
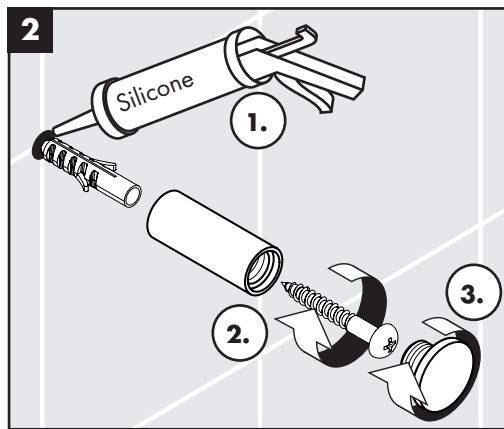
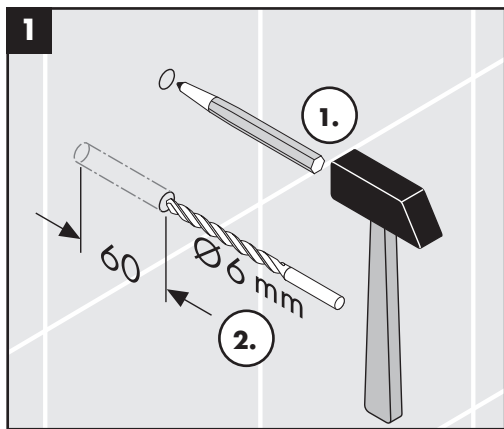
hansgrohe

- Kostenlose und individuelle Beratung
- Hochwertige Produkte
- Kostenloser und schneller Versand

- TOP Bewertungen
- Exzelerter Kundenservice
- Über 20 Jahre Erfahrung



E-Mail: info@unidomo.de | Tel.: 04621 - 30 60 89 0 | www.unidomo.de



⚠️ 安全技巧

⚠️ 装配时为避免挤压和切割受伤，必须戴上手套。

安装提示

在安装产品的位置，安装人员必须确保安装面的墙面是平的（没有突出物或瓷砖没有突起），墙体结构适合产品的安装并没有弱点。包装内的膨胀螺丝只适用于混凝土墙体。对于其他墙体结构必须咨询膨胀螺丝生产商的建议。

⚠️ Safety Notes

⚠️ Gloves should be worn during installation to prevent crushing and cutting injuries.

Installation Instructions

Where the contractor mounts the product, he should ensure that the entire area of the wall to which the mounting plate is to be fitted, is flat (no projecting joints or tiles sticking out), that the structure of the wall is suitable for the installation of the product and has no weak points. The enclosed screws and dowels are only suitable for concrete. For another wall constructions the manufacturer's indications of the dowel manufacturer have to be taken into account.

请勿使用含有乙酸的硅胶！
Do not use silicone containing acetic acid!

hangrohe

Quality Certificate 质量合格证

Worker No.
工号

Production date
生产日期

According to QB/T1560-2006
符合国际QB/T1560-2006



hangrohe