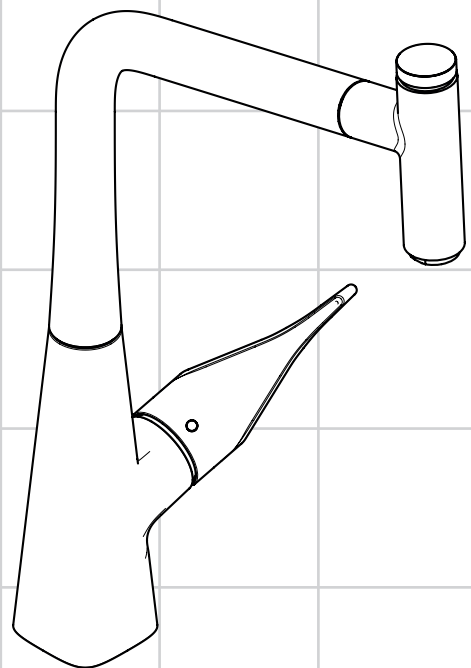


ZH 用户手册 / 组装说明	2
EN Instructions for use / assembly instructions	3



Metris Select 320 1jet
14884007



Ihr Online-Fachhändler für:

hansgrohe

- Kostenlose und individuelle Beratung
- Hochwertige Produkte
- Kostenloser und schneller Versand

- TOP Bewertungen
- Exzelerter Kundenservice
- Über 20 Jahre Erfahrung



E-Mail: info@unidomo.de | Tel.: 04621 - 30 60 89 0 | www.unidomo.de



安全技巧

- △ 装配时为避免挤压和切割受伤，必须戴上手套。
- △ 冷热水管间过大的压力差必须予以平衡。

安装提示

- 安装前必须检查产品是否受到运输损害。安装后将不认可运输损害或表面损伤。
- 管道和阀门必须根据通用标准进行安装、冲洗和检查。
- 请遵守当地国家现行的安装规定。
- 首次调试时和维护作业之后，管接头中的空气可能产生噪音。大约使用管接头 15 次后噪音消失。

技术参数

工作压强:	最大 1 MPa
推荐工作压强:	0,1 – 0,5 MPa
测试压强:	1,6 MPa
(1 MPa = 10 bar = 147 PSI)	
热水温度:	最大 70°C
推荐热水温度:	65°C
热力消毒:	最大 70°C / 4 分钟

该产品专为饮用水设计！

符号说明



请勿使用含有乙酸的硅胶！



调节 (参见第页 6)

热水温度调节。如果使用即热式喷头，则不建议安装热水阀门。



大小 (参见第页 7)

流量示意图
(参见第页 7)



操作 (参见第页 8)

- 汉斯格雅建议，清晨或在水流长时间停滞时，前半升水不作饮用水使用。
- 通过手柄打开阀门时出水口可能流出少量水。
- 抬起把手打开龙头，并调节需要的水温。通过位于正面出水口的调节钮可以暂时停止水流。长时间不使用时，例如夜晚或房屋空置，则必须将把手完全关闭。



保养 (参见第页 8)

单向阀必须在符合国家或当地的法律的情况下按照DIN EN 1717定期检查（至少一年一次）。



备用零件 (参见第页 9)





清洗
附有小手册

问题	原因	补救
龙头不灵活	- 阀芯损坏，结垢	- 更换阀芯
龙头滴水	- 阀芯损坏	- 更换阀芯
更换龙头后，在打开可调龙头时流量减少	- 安装了错误的可调龙头	- 更换可调龙头 (#98463000)
水从龙头出水嘴流出	- O形环损坏	- 更换O形环
水从螺纹底座中流出	- 连接软管没有完全旋入基体	- 用手拧紧连接软管
	- 连接软管的O形环损坏	- 更换O形环
热水温度过低	- 温度限制器设置错误	- 设置温度限制器
调节按钮不好用	- 调节按钮脏污	- 清洁调节按钮，给 O 形环 19x1,5 上油 (参见第页 9)





Safety Notes

-  Gloves should be worn during installation to prevent crushing and cutting injuries.
-  The hot and cold supplies must be of equal pressures.

Installation Instructions

- Prior to installation, inspect the product for transport damages. After it has been installed, no transport or surface damage will be honoured.
- The pipes and the fixture must be installed, flushed and tested as per the applicable standards.
- The plumbing codes applicable in the respective countries must be observed.
- During initial start-up and after servicing, air in the fittings can cause noise. After switching the jet on and off about 15 times, the noise will stop.

Technical Data

Operating pressure:	max. 1 MPa
Recommended operating pressure:	0,1 - 0,5 MPa
Test pressure:	1,6 MPa
(1 MPa = 10 bar = 147 PSI)	
Hot water temperature:	max. 70 °C
Recommended hot water temp.:	65 °C
Thermal disinfection:	max. 70 °C / 4 min

The product is exclusively designed for drinking water!

Symbol description



Do not use silicone containing acetic acid!



Adjustment (see page 6)

To adjust the hot water limiter. Using a hot water limiter in combination with a continuous flow water heater is not recommended.



Dimensions (see page 7)



Flow diagram

(see page 7)



Operation (see page 8)

- Hansgrohe recommends not to use as drinking water the first half liter of water drawn in the morning or after a prolonged period of non-use.
- Minor leaking may occur briefly at the spout when opening the fitting via the lever.
- Use the lever to open the tap and set the desired temperature. The water flow can be paused by pressing the Select button on the face side of the spout. When the tap is not used for a longer period of time, f.e. when retiring at night or leaving the house, it must be closed completely by means of the lever.



Maintenance (see page 8)

The check valves must be checked regularly according to DIN EN 1717 in accordance with national or regional regulations (at least once a year).



Spare parts (see page 9)

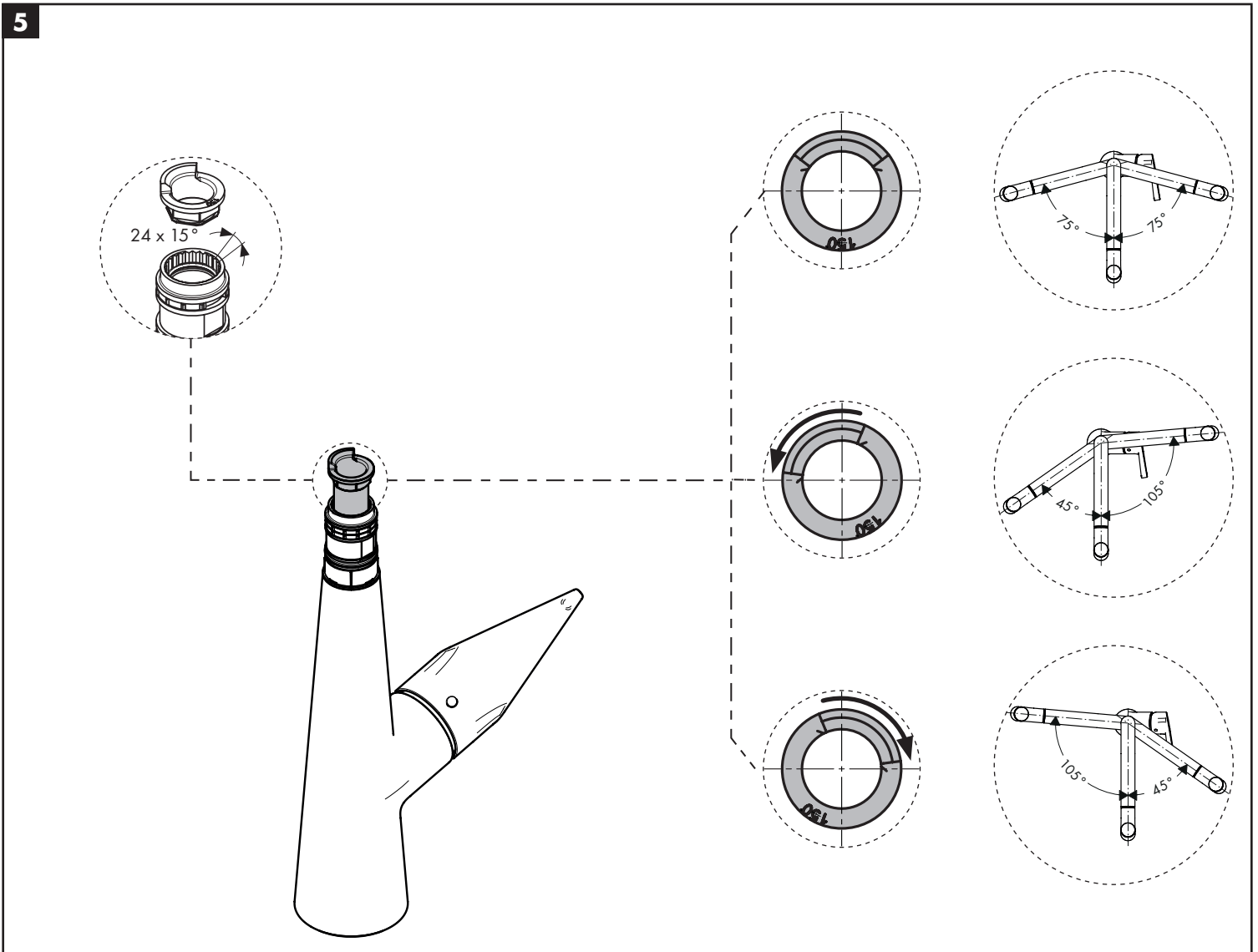
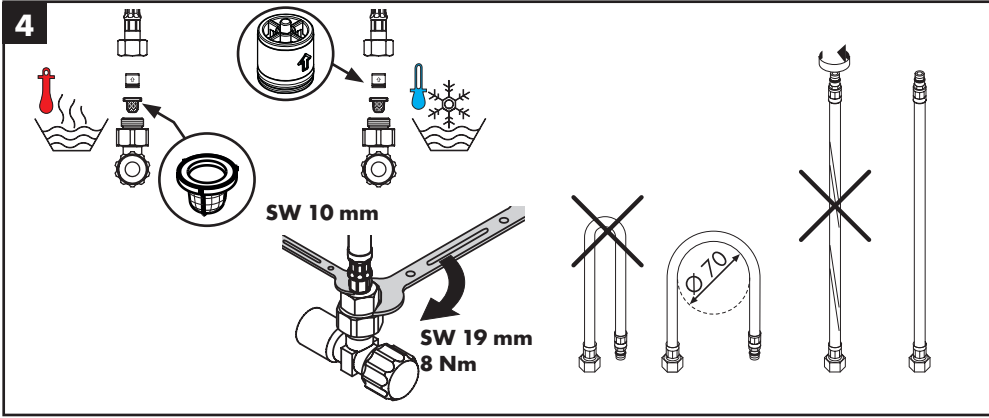
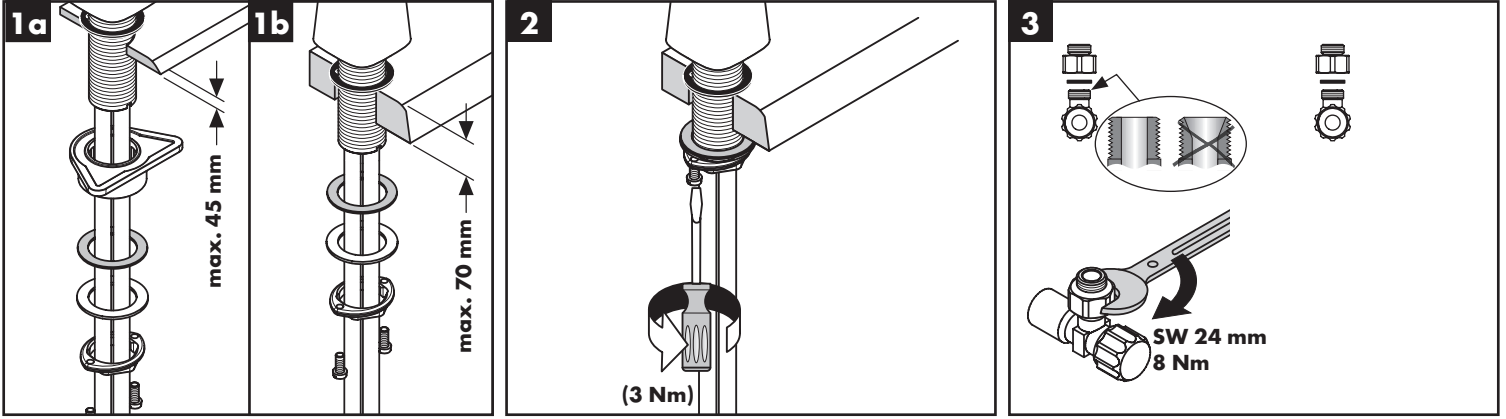


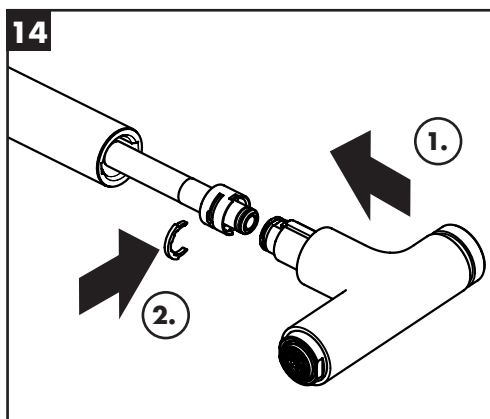
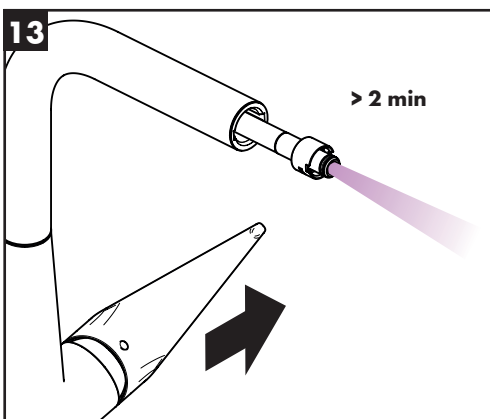
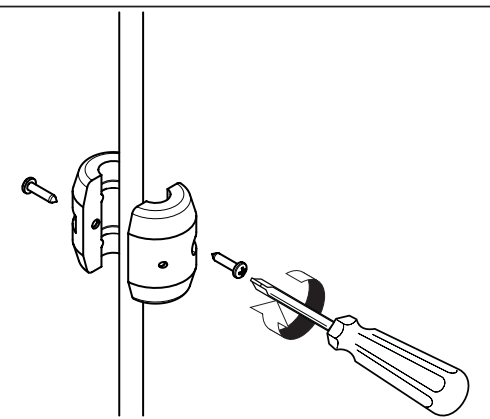
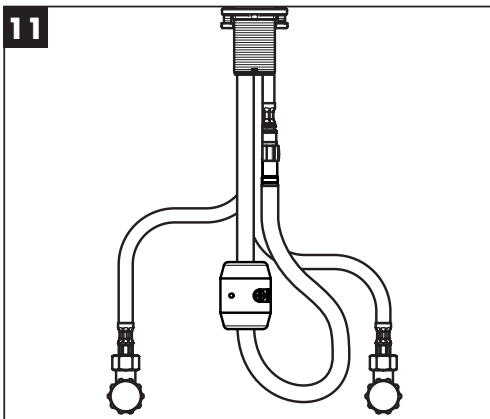
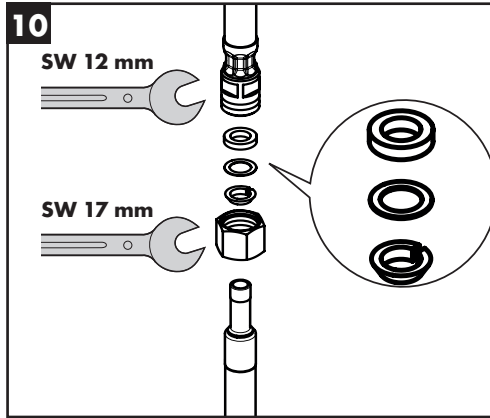
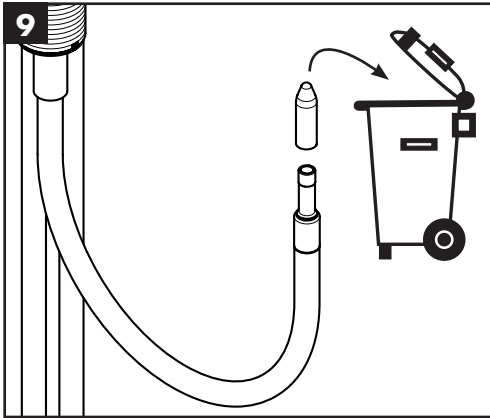
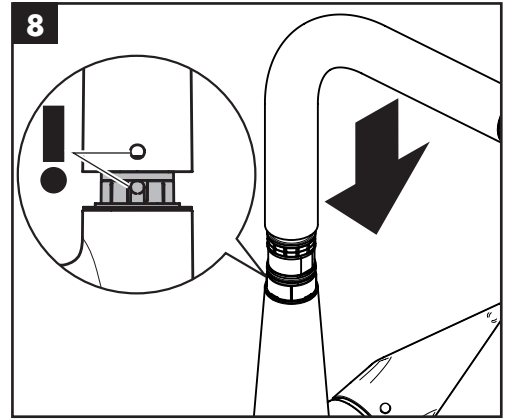
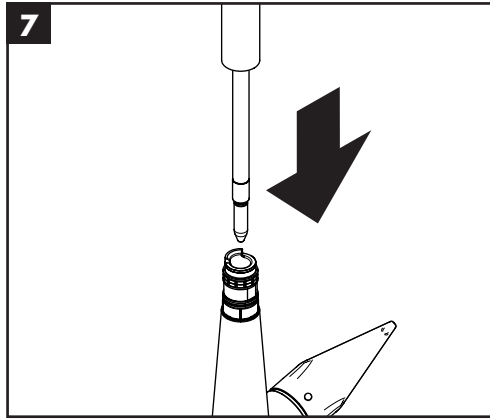
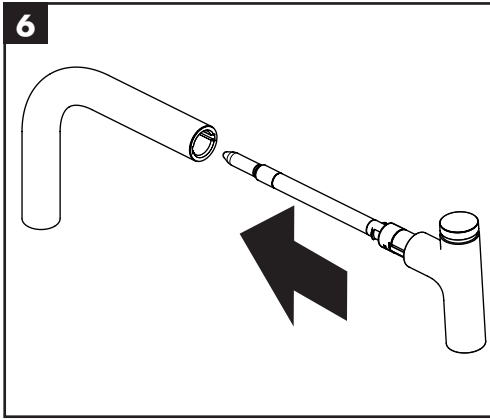
Cleaning

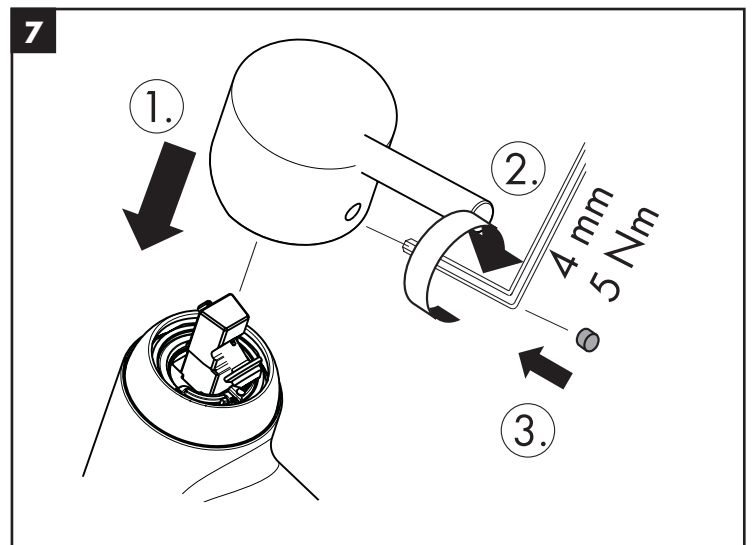
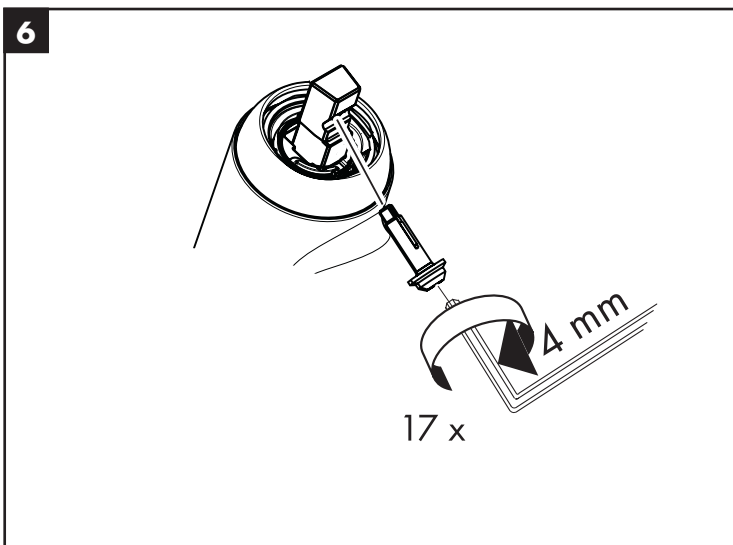
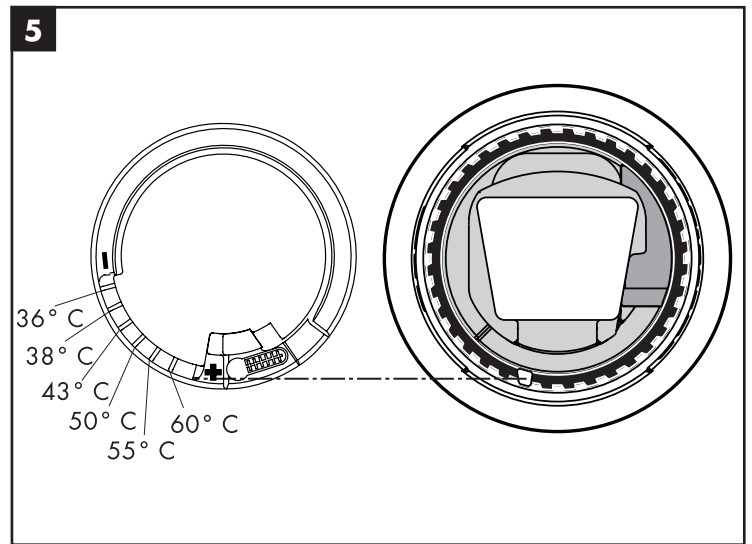
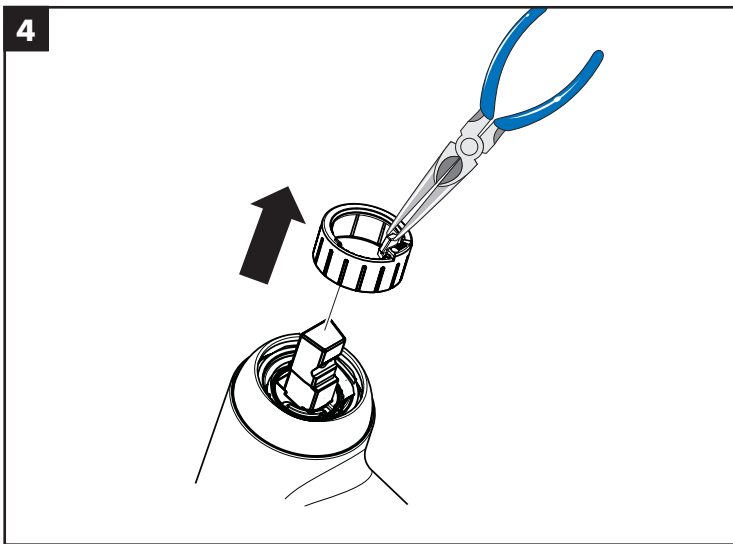
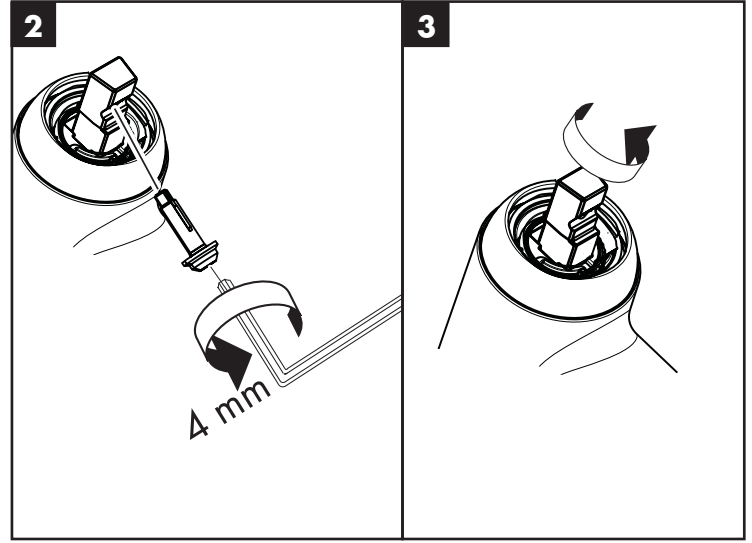
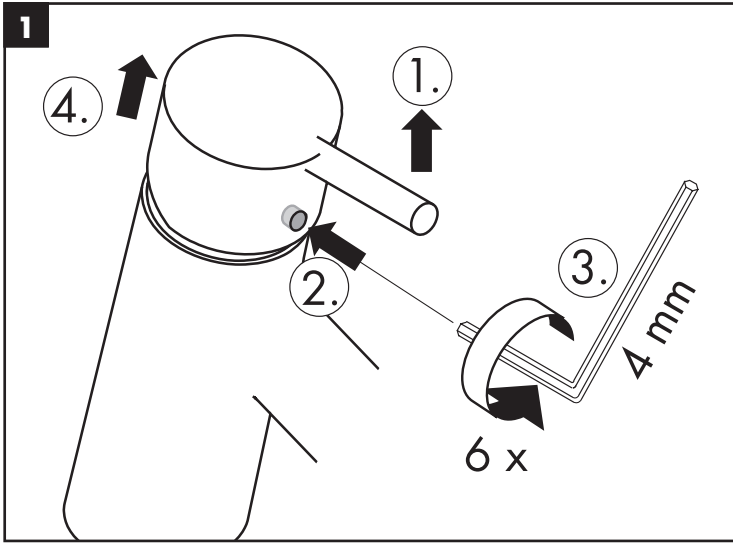
see enclosed brochure

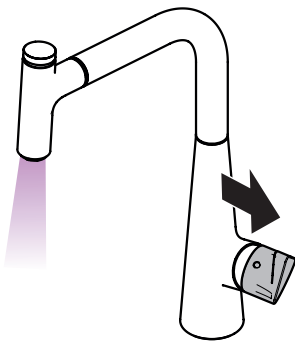
Fault	Cause	Remedy
Mixer stiff	- Cartridge defective, calcified	- Exchange cartridge
Mixer dripping	- Cartridge defective	- Exchange cartridge
Low flow with Select valve after valve replacement	- Improper Select valve installed	- Replace Select valve (#98463000)
Water escaping in area of swivel spout	- O-ring defective	- Exchange O-ring
Water escaping at the threaded base	- connection hoses not completely screwed into basic body	- Tighten connection hoses by hand
	- O-ring at the connection hose defective.	- Exchange O-ring
Hot water temperature too low	- Hot water limiter incorrectly set	- Set hot water limiter
Select button stiff	- Select button soiled	- Clean Select button and grease 19x1,5 O-ring (see page 9)



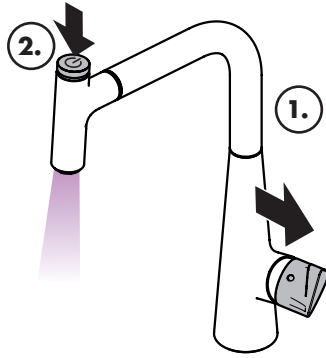




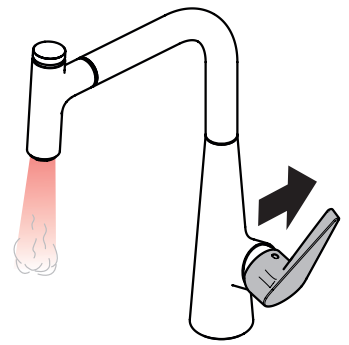




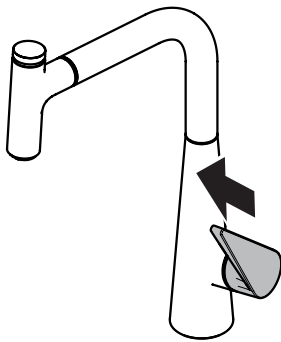
开 / open



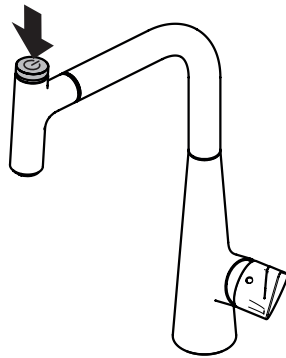
开 / open



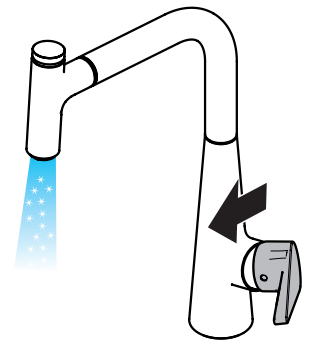
热 / hot



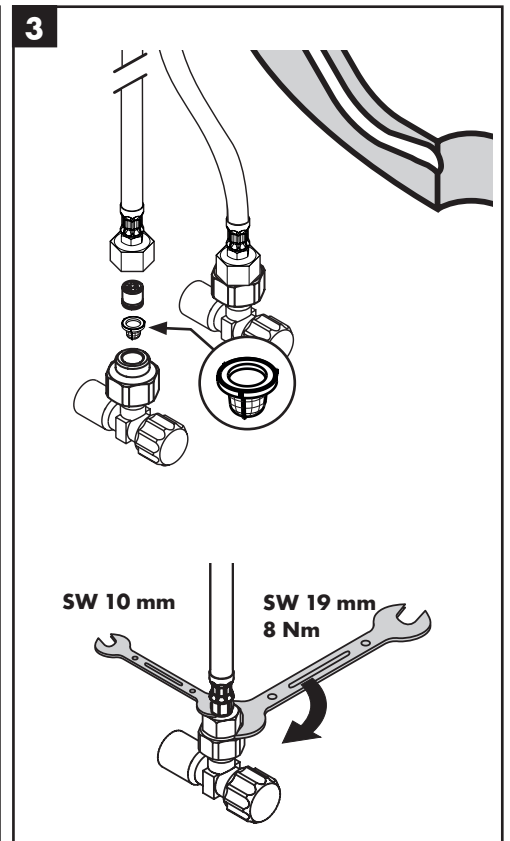
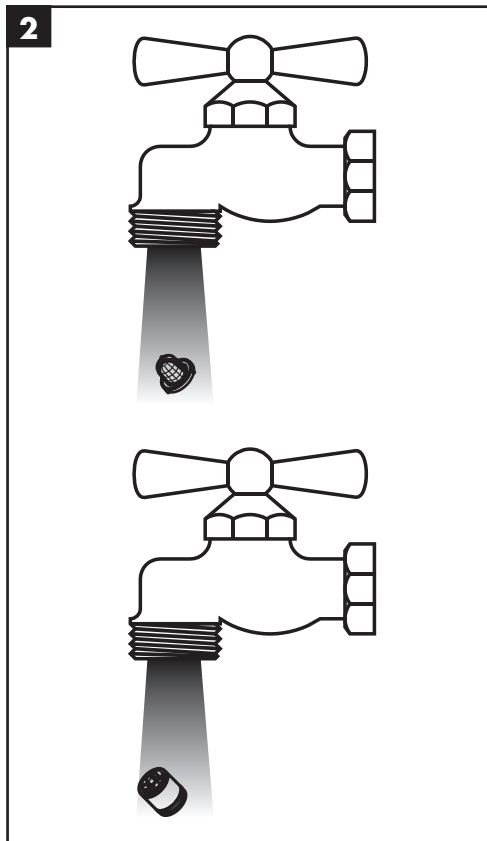
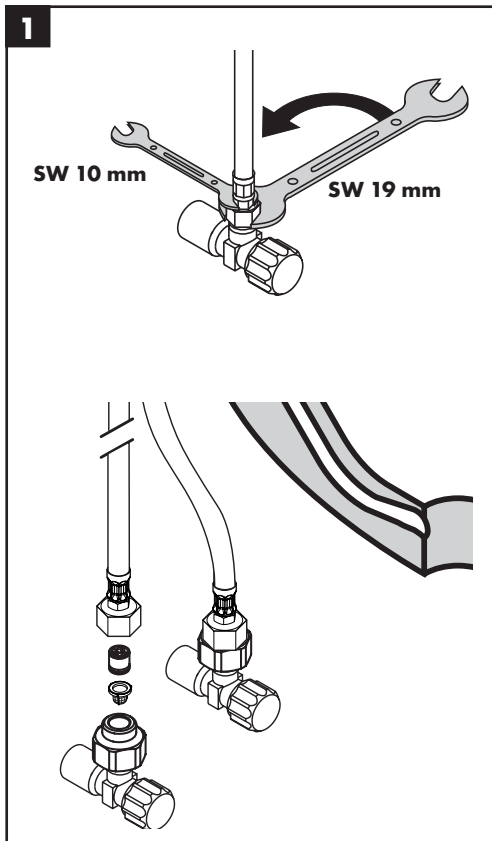
关 / close



关 / close



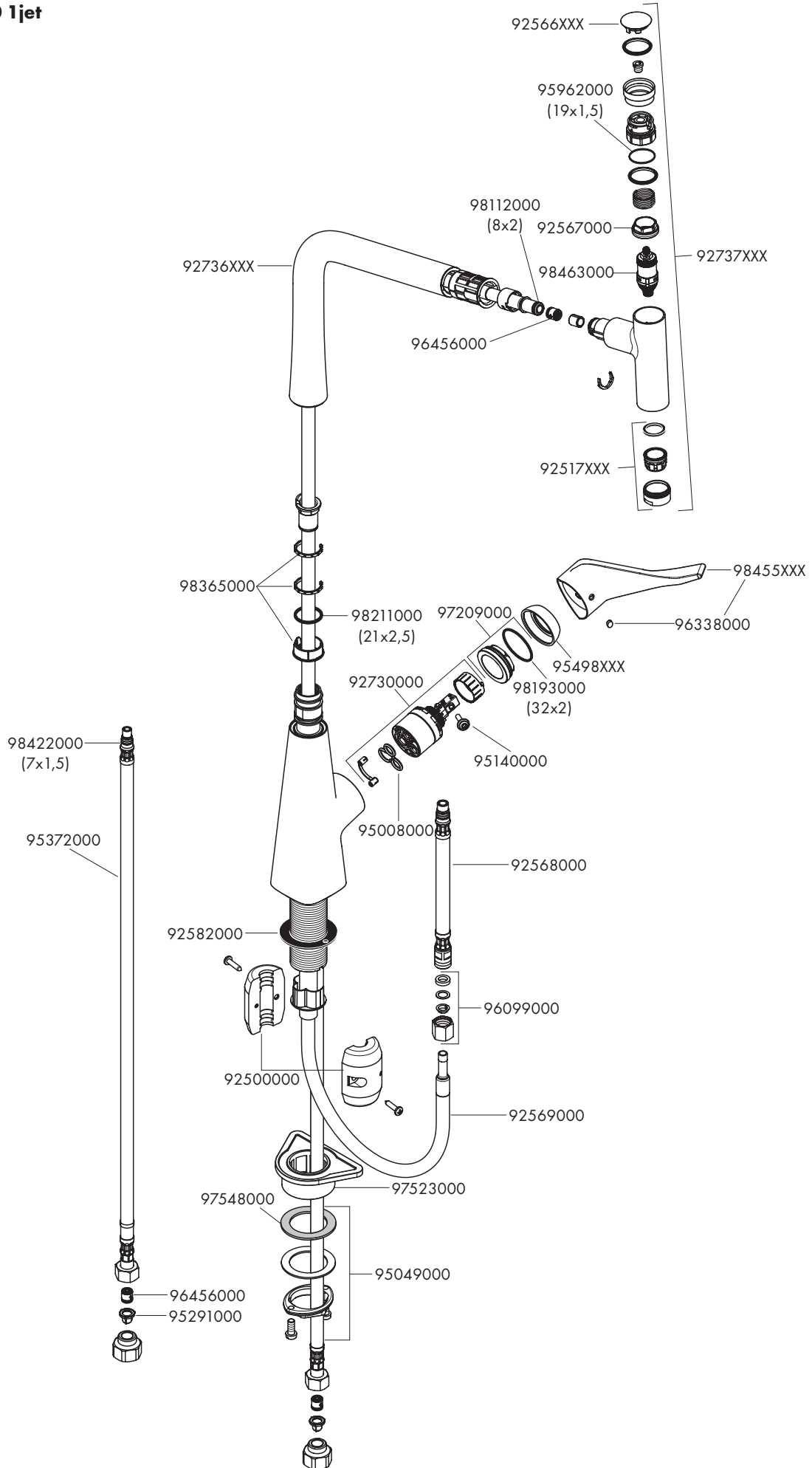
冷 / cold





Metris Select 320 1jet

14884007



hansgrohe

Quality Certificate
质量合格证

Worker No.	Production date
工号	生产日期

According to GB18145-2014
符合国际GB18145-2014



hansgrohe