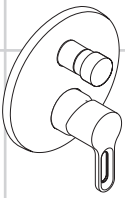


ZH 用户手册 / 组装说明

2

EN Instructions for use / assembly instructions

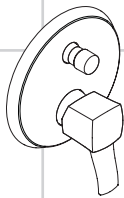
3



Metris S
14437007



PuraVida
15445007
15445407



Metropol Classic
31345007
31345097



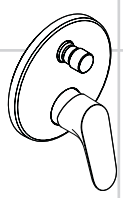
Metris
31454007



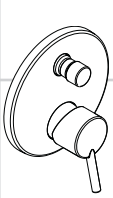
Metris S
31465007



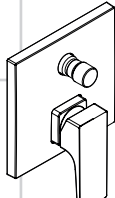
Metris Classic
31485007



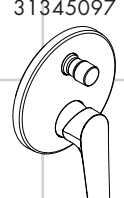
Focus
31945007



Talis S
32475007



Metropol
32545007



Logis E
71404007



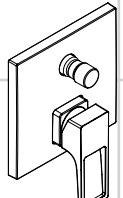
Logis
71405007



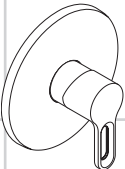
Talis E
71745007



Talis S
72405007



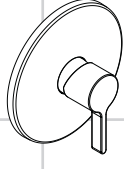
Metropol
74545007



Metris S
14637007



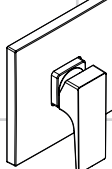
Metropol Classic
31365007
31365097



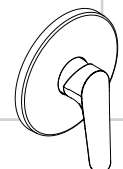
Metris S
31665007



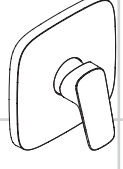
Focus
31965007



Metropol
32565007



Logis E
71603007



Logis
71605007



Talis S
72605007



Ihr Online-Fachhändler für:

hansgrohe

- Kostenlose und individuelle Beratung
- Hochwertige Produkte
- Kostenloser und schneller Versand

- TOP Bewertungen
- Exzelerter Kundenservice
- Über 20 Jahre Erfahrung



E-Mail: info@unidomo.de | Tel.: 04621 - 30 60 89 0 | www.unidomo.de



安全技巧

- △ 装配时为避免挤压和切割受伤，必须戴上手套。
- △ 该产品不得作扶柄使用。必须安装单独的扶柄。
- △ 冷热水管间过大的压力差必须予以平衡。

安装提示

- 安装前必须检查产品是否受到运输损害。安装后将不认可运输损害或表面损伤。
- 管道和阀门必须根据通用标准进行安装、冲洗和检查。
- 请遵守当地国家现行的安装规定。

技术参数

| | |
|----------------------------|----------------|
| 工作压力: | 最大 1 MPa |
| 推荐工作压力: | 0,1 - 0,5 MPa |
| 测试压强: | 1,6 MPa |
| (1 MPa = 10 bar = 147 PSI) | |
| 热水温度: | 最大 70°C |
| 推荐热水温度: | 65°C |
| 热力消毒: | 最大 70°C / 4 分钟 |

该产品专为饮用水设计！

符号说明



请勿使用含有乙酸的硅胶！



调节 (参见第页 6)

热水温度调节。如果使用即热式喷头，则不建议安装热水阀门。



大小 (参见第页 7)



流量示意图
(参见第页 9)

0,3 MPa时的流速:

- ① 莲蓬头岔管
- ② 面盆岔管



操作 (参见第页 16)



清洗 (参见第页 10)



备用零件 (参见第页 12)

| 问题 | 原因 | 补救 |
|-------------------------|-------------|------------------|
| 龙头不灵活 | - 阀芯损坏、结垢 | - 更换阀芯 |
| 龙头滴水 | - 阀芯损坏 | - 更换阀芯 |
| 热水温度过低，没有冷水。选择冷水时，热水器启动 | - 热水控制器设置错误 | - 设置热水控制器 |
| 分流器不工作 | - 交叉流动 | - 更换阀芯 |
| | - 沉积物 | - 清洁分流器 / 给O形环上油 |
| | - 水压过低 | - 增加水压 |
| | - 分流器损坏 | - 更换分流器 |



安装 参见第页 4



Safety Notes

- △ Gloves should be worn during installation to prevent crushing and cutting injuries.
- △ The product may not be used as a holding handle. A separate handle must be installed.
- △ The hot and cold supplies must be of equal pressures.

Installation Instructions

- Prior to installation, inspect the product for transport damages. After it has been installed, no transport or surface damage will be honoured.
- The pipes and the fixture must be installed, flushed and tested as per the applicable standards.
- The plumbing codes applicable in the respective countries must be observed.

Technical Data

| | |
|---------------------------------|--------------------|
| Operating pressure: | max. 1 MPa |
| Recommended operating pressure: | 0,1 - 0,5 MPa |
| Test pressure: | 1,6 MPa |
| (1 MPa = 10 bar = 147 PSI) | |
| Hot water temperature: | max. 70 °C |
| Recommended hot water temp.: | 65 °C |
| Thermal disinfection: | max. 70 °C / 4 min |

The product is exclusively designed for drinking water!

Symbol description

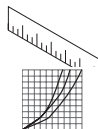


Do not use silicone containing acetic acid!

Adjustment (see page 6)

To adjust the hot water limiter. Using a hot water limiter in combination with a continuous flow water heater is not recommended.

Dimensions (see page 7)



Flow diagram

(see page 9)

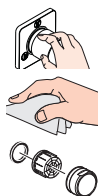
Rate of flow by 0,3 MPa:

- ① Shower outlet
- ② Tub outlet

Operation (see page 16)

Cleaning (see page 10)

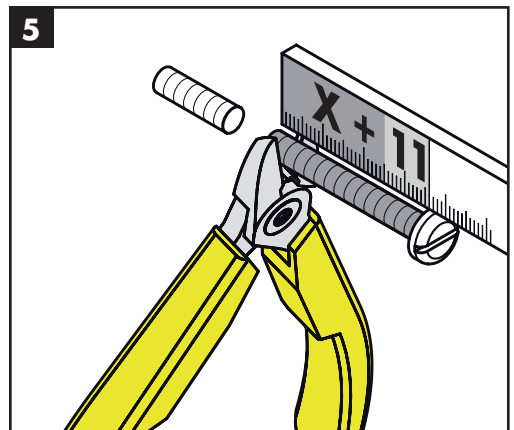
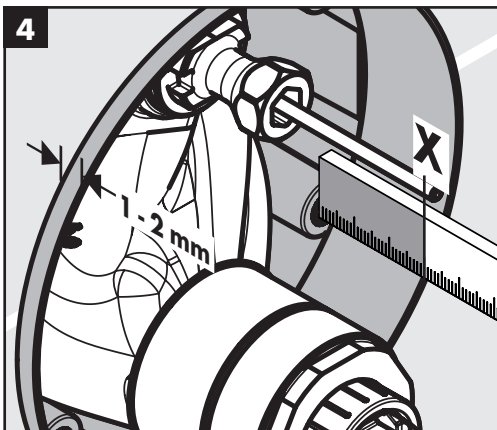
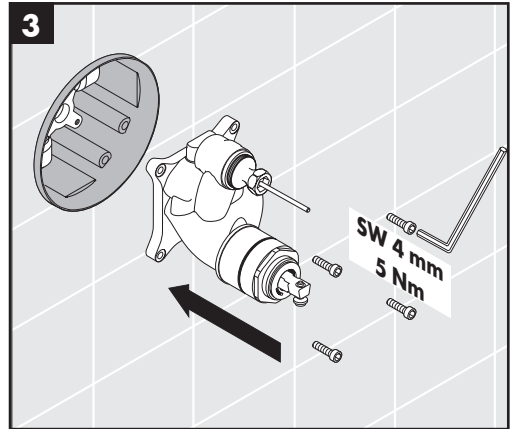
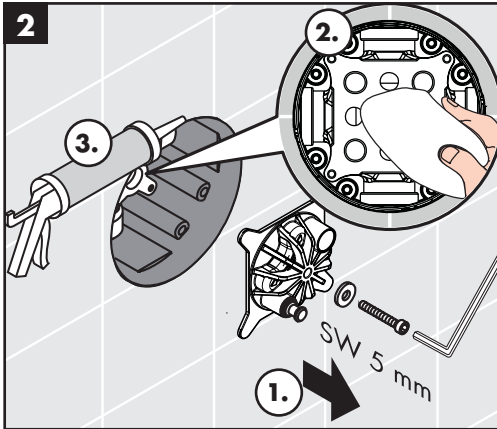
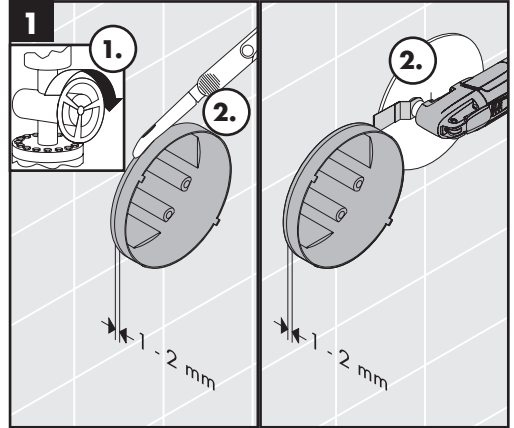
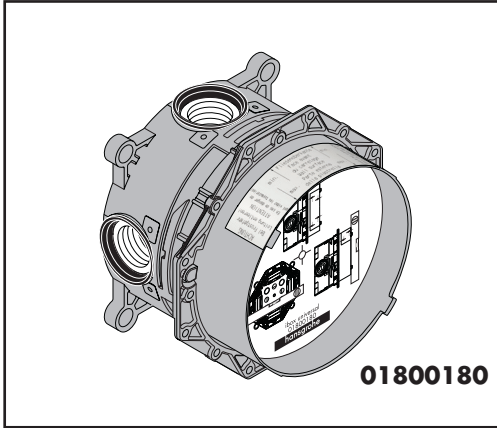
Spare parts (see page 12)

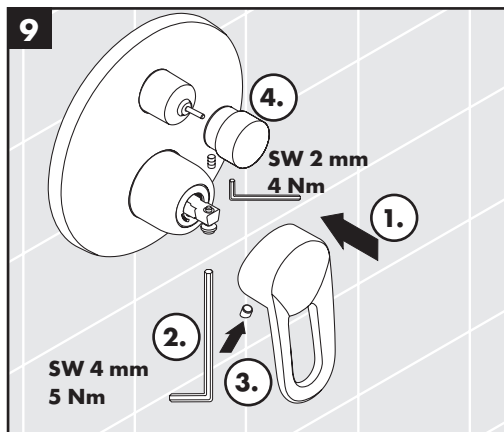
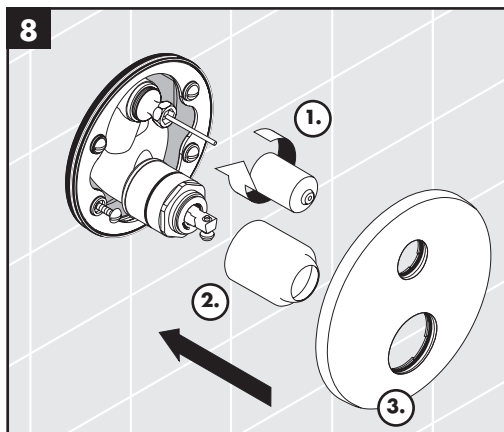
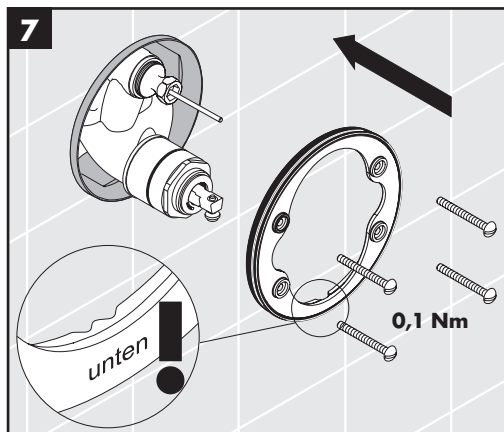
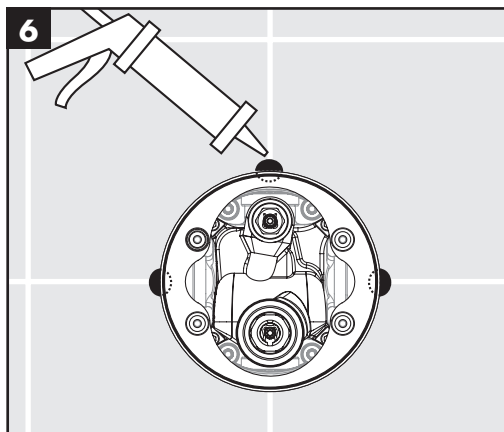


| Fault | Cause | Remedy |
|---|-------------------------------------|------------------------------------|
| Mixer stiff | - Cartridge defective, calcified | - Exchange cartridge |
| Mixer dripping | - Cartridge defective | - Exchange cartridge |
| Hot water temperature too low, no cold water. Instantaneous water heater starts up when cold water is selected. | - Hot water limiter incorrectly set | - Set hot water limiter |
| | - Crossflow | - Exchange cartridge |
| Diverter not operating | - Residue | - Clean converter / grease O-rings |
| | - Water pressure to low | - Increase water pressure |
| | - Diverter defective | - Exchange diverter |



Assembly see page 4







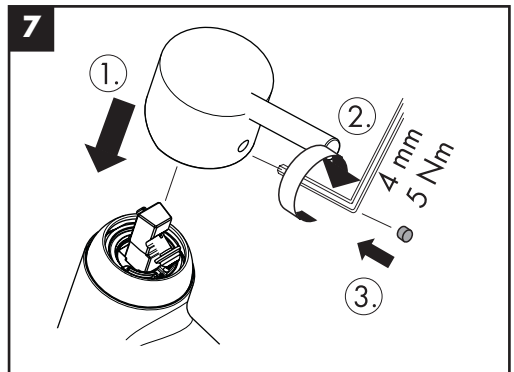
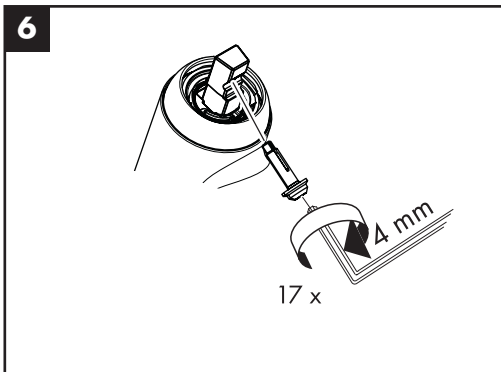
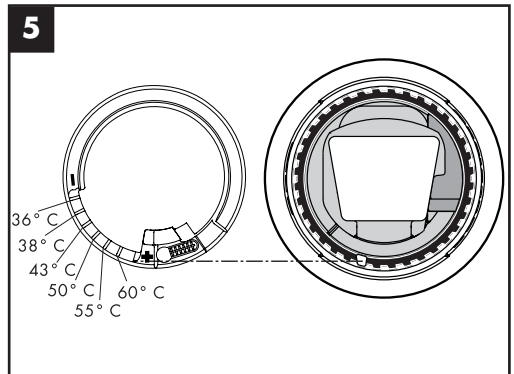
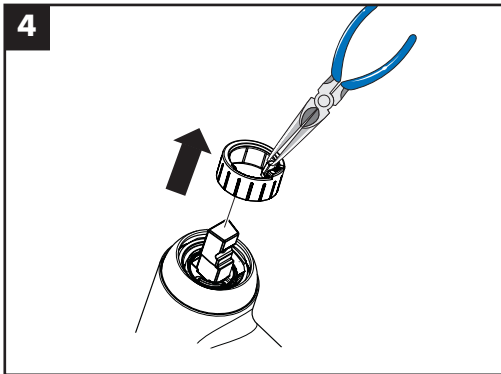
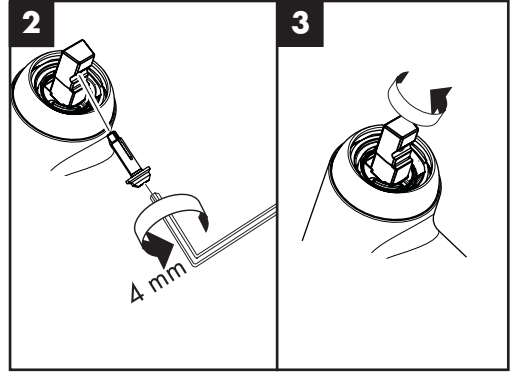
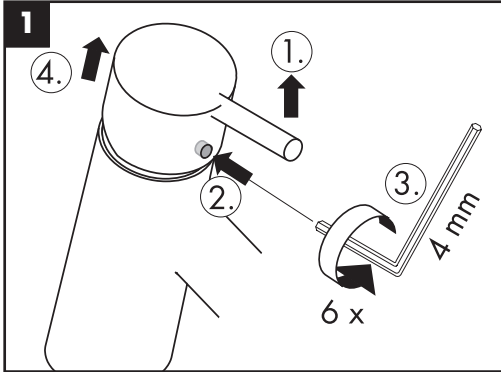
60 °C

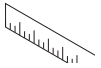


10 °C

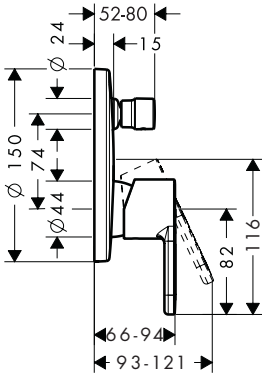


0,3 MPa

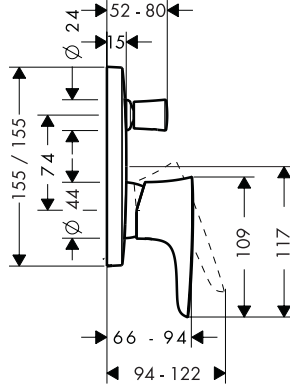




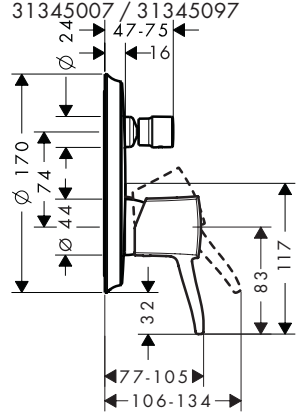
Metris S 14437007



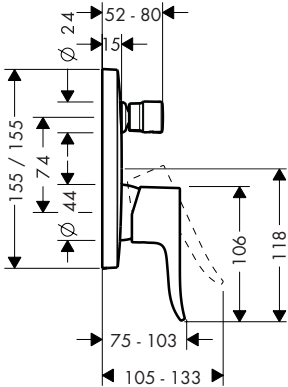
PuraVida 15445007 / 15445407



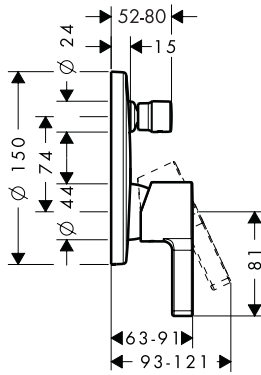
Metropol Classic



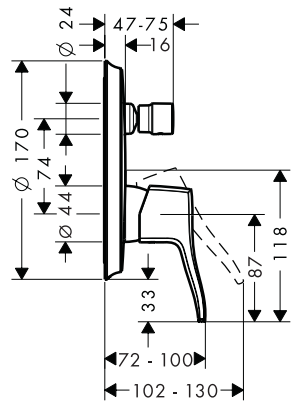
Metris 31454007



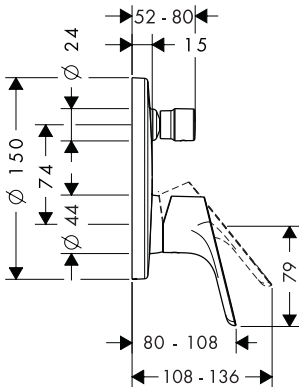
Metris S 31465007



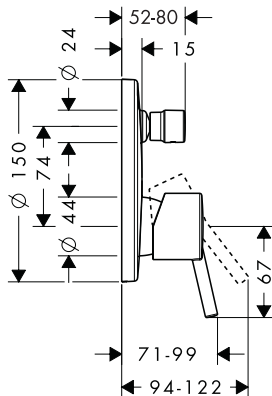
Metris Classic 31485007



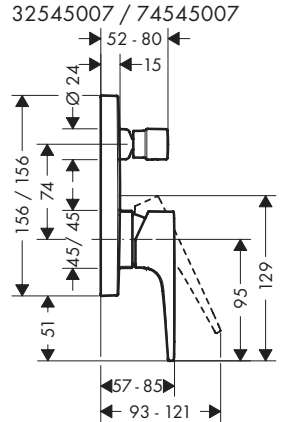
Focus 31945007



Talis S 32475007

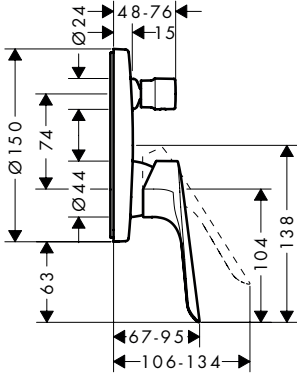


Metropol

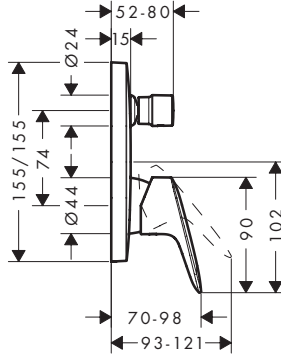




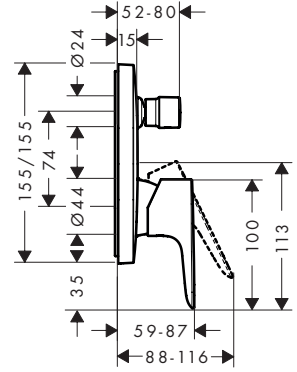
Logis E 71404007



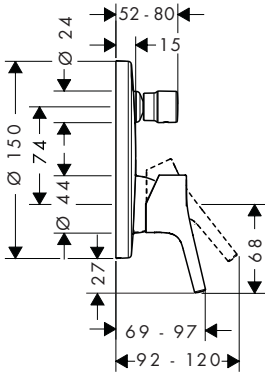
Logis 71405007



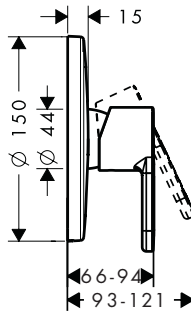
Talis E 71745007



Talis S 72405007

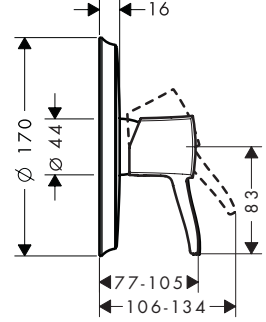


Metris S 14637007

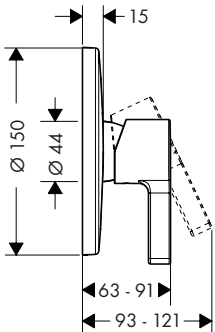


Metropol Classic

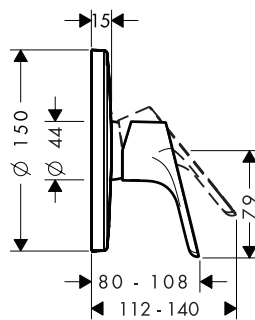
31365007 / 31365097



Metris S 31665007

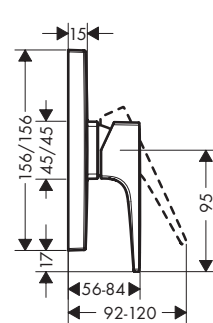


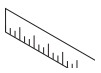
Focus 31965007



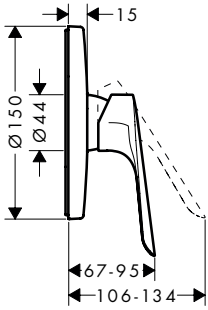
Metropol

32565007

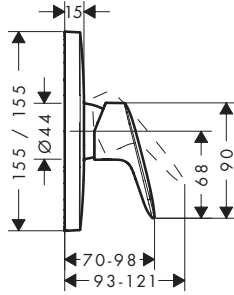




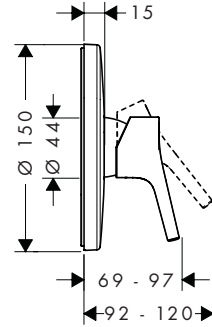
Logis E 71603007



Logis 71605007

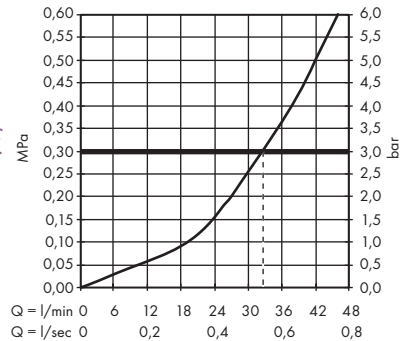
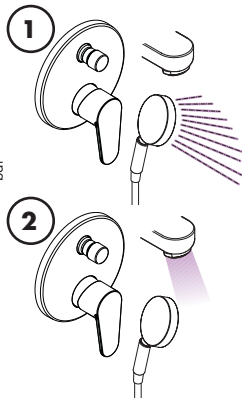
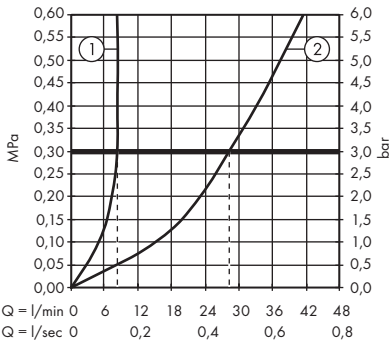


Talis S 72605007



| | |
|-------------------------|---------------------|
| Metris S | 14437007 |
| PuraVida | 15445007 / 15445407 |
| Metropol Classic | 31435007 / 31435097 |
| Metris | 31454007 |
| Metris S | 31465007 |
| Metris Classic | 31485007 |
| Focus | 31945007 |
| Talis S | 32475007 |
| Metropol | 32545007 |
| Logis E | 71404007 |
| Logis | 71405007 |
| Talis E | 71745007 |
| Talis S | 72405007 |
| Metropol | 74545007 |

| | |
|-------------------------|---------------------|
| Metris S | 14637007 |
| Metropol Classic | 31365007 / 31365097 |
| Metris S | 31665007 |
| Focus | 31965007 |
| Metropol | 32565007 |
| Logis E | 71603007 |
| Logis | 71605007 |
| Talis S | 72605007 |





汉斯格雅产品的清洁建议

现代的卫浴龙头、厨房龙头、花洒、配件、盥洗台、浴盆和加热器采用的制造材料非常迥异，以适应产品外形设计和使用功能的市场需求。

为了避免产品损坏和由此引发的投诉及争议，必须在使用和清洁产品时遵循有关规程。

在保养汉斯格雅产品时，原则上必须注意：

- 只能使用那些有明确注明是适用于本产品的清洁剂。
- 不允许使用含有盐酸、蚁酸、氯漂或醋酸的清洁剂，因为这些清洁剂会给产品表面造成严重的损伤。
- 含磷酸的清洁剂必须在特定条件下使用。
- 不允许将两种以上清洁剂混合使用。
- 不允许使用具有研磨作用的清洁工具和设备，如不适合的清洁粉末、海绵垫或超细麦克布。
- 必须严格遵守清洁剂生产厂商的使用说明。
- 严格遵守清洁剂的用量和作用时间，决不允许清洁剂的作用时间长于规定值。
- 定期的清洁以预防水垢。
- 不允许将清洁剂直接喷射到汉斯格雅产品上，因为喷雾会进入汉斯格雅产品的开口部分和缝隙中而造成损害。首先将清洁剂喷在软布上，再用软布进行清洁。
- 清洁之后必须用足够的水冲洗，以彻底去除残留的吸附物（清洁剂）。
- 不允许使用蒸汽清洗机，高温会损害产品。

重要说明

肥皂，洗发水、沐浴液、染发剂、香水、刮胡水、指甲油的残留也会对产品造成损伤。

此处：使用后要小心地用清水将剩余物冲洗干净。

同样在产品下方不得存放洗涤剂和化学药品，例如不可放在用于洗脸盆的梳洗柜中否则挥发气体将损坏产品。

在已经损伤的表面继续使用清洁剂会给表面造成更大的损伤。



表面损坏的部件必须更换，否则会有受伤的危险。

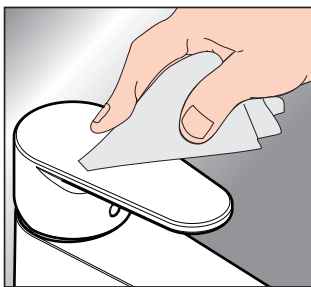
不按规定进行清洁而造成的任何损坏不在本公司产品保修范围之内。

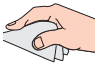
QuickClean

有了QuickClean，手工清洁功能，要去掉喷头上的水垢，只需简单地搓除即可。

担保

Hansgrohe 向用户保证，该产品无制造缺陷。如果自购买之日起五年内出现缺陷，Hansgrohe 将免费排除。保证条件和详情见 www.hansgrohe-int.com/guarantee。在提出保修的权利时请联系您的合同方。本保证不涉及有关国家法律规定的消费权。





Cleaning Recommendation for Hansgrohe Products

Today, modern sanitary and kitchen tapware, showers, accessories, washstands, tubs and radiators consist of very different materials to comply with the needs of the market with regard to design and functionality.

To avoid damage and reclamations, it is necessary to consider certain criteria when cleaning.

With regard to caring for the Hansgrohe products, the following must in principle be heeded:

- Only use cleaning material which is explicitly provided for this type of application.
- Never use cleaning materials, which contain hydrochloric acid, formic acid, chlorine pale lye or acetic acid, as they cause considerable damage.
- Phosphorus acidic cleaners are only conditionally applicable.
- Mixing cleaning agents is not permitted, generally.
- Never use cleaning materials or appliances with an abrasive effect, such as unsuitable cleaning powders, sponge pads or micro fibre cloths.
- The instructions of the cleaning agent manufacturers have to be followed absolutely.
- Cleaning has to be carried out with a specified cleaner dosage, contact time, object-related and adapted to the needs.
- The building up of calcifications has to be removed by cleaning regularly.
- When using spray cleaners, spray the cleaning solution onto a soft cloth or sponge, never directly onto the Hansgrohe products, as the atomised spray could enter openings and gaps in the Hansgrohe products and cause damage.
- After cleaning rinse thoroughly with clean water to remove any cleaner residue.
- The use of steam cleaners is not permitted. The high temperatures can damage the products.

Important

Residues of toiletries such as liquid soaps, shampoos and shower gels, hair dyes, perfumes, aftershave and nail varnish can also cause damage.

Here too: Carefully rinse with water after use to remove residues.

Likewise, do not store any cleaning agents or chemicals

under the products, for example in a vanity unit, as the vapours may damage the products.

The damage of already damaged surfaces will deteriorate under the effect of the cleansers.



Components with damaged surfaces must be exchanged, otherwise there could be an injury danger.

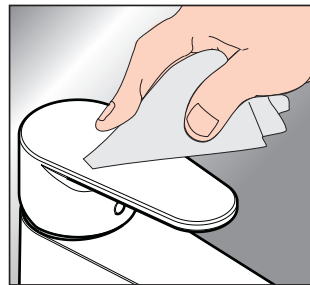
Damage caused by improper treatment will not be covered by our guarantee.

QuickClean

The QuickClean cleaning function only needs a small manual rub over to remove the lime scale from the spray channels.

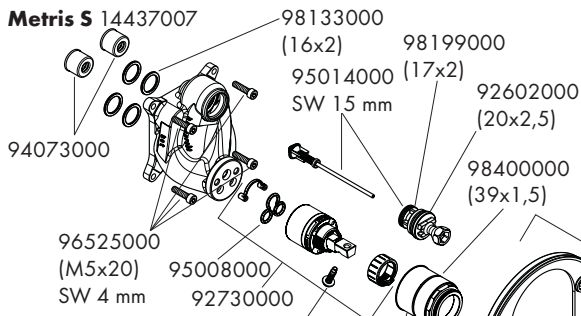
Warranty

Hansgrohe guarantees to the consumer that this product is free of production faults. If evertheless any defect is detected within 5 years from date of purchase, Hansgrohe will remedy this defect free of charge. You will find the conditions and details of this guarantee at www.hansgrohe-int.com/guarantee. Please contact your contracting party to claim your rights under this guarantee. This guarantee does not affect the customer's rights under the respective national legislation.

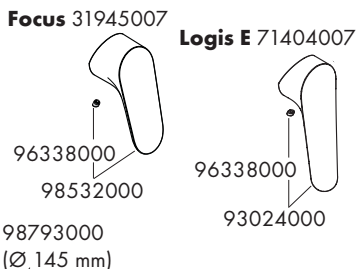




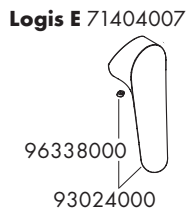
Metris S 14437007



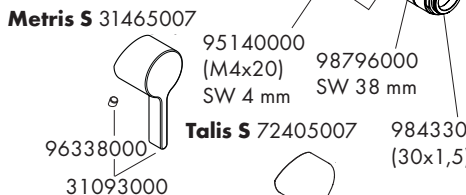
Focus 31945007



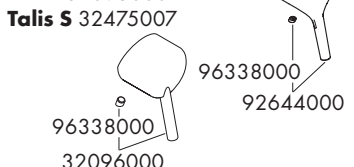
Logis E 71404007



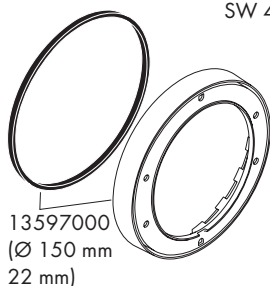
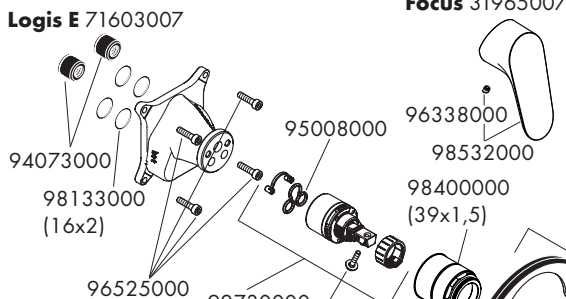
Metris S 31465007



Talis S 32475007

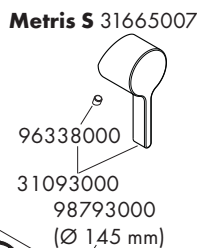


Logis E 71603007

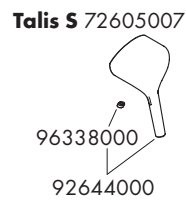


- 98133000 (16x2)
- 98199000
- 95014000 (17x2)
- 92602000 (20x2,5)
- SW 15 mm
- 98400000 (39x1,5)
- 96525000 (M5x20) SW 4 mm
- 95008000
- 92730000
- 98796000 SW 38 mm
- 98433000 (30x1,5)
- 96454000 (M5x55)
- 98790000
- 98418000 (43x3)
- 97667000 (M4x10) SW 2 mm
- 98792000
- 98790000
- 98418000 (43x3)
- 97667000 (M4x10) SW 2 mm
- 96638000
- 97788000
- 98792000
- 98418000 (43x3)
- 97708007
- 96638000
- 93024000

Metris S 31665007



Talis S 72605007



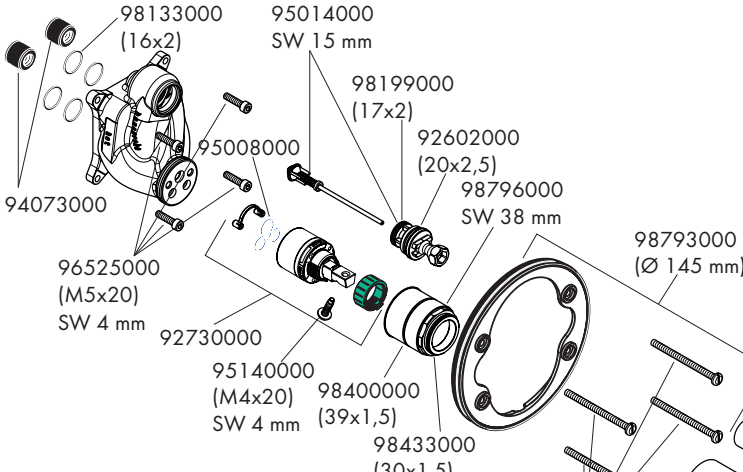
Metris S 14637007



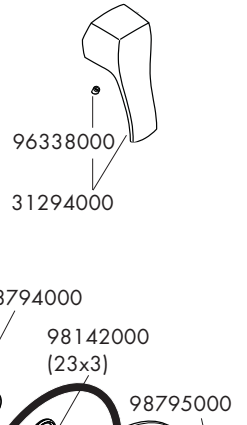
- 95008000
- 96338000
- 98532000
- 98400000 (39x1,5)
- 92730000
- 95140000 (M4x20) SW 4 mm
- 98796000 SW 38 mm
- 98433000 (30x1,5)
- 96454000 (M5x55)
- 97747000 (M5x45) SW 4 mm (25 mm)
- 13595000 (25 mm)
- 13597000 (Ø 150 mm 22 mm)
- 98792000
- 96638000
- 93024000



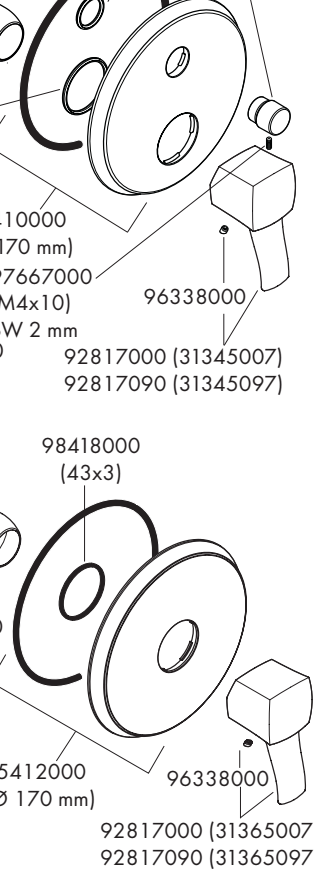
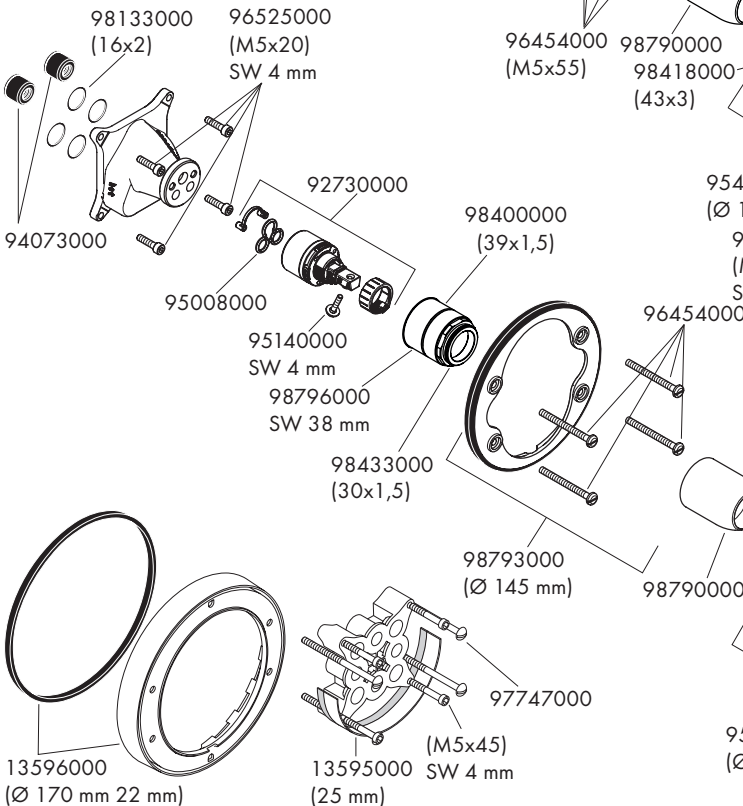
Metropol Classic 31345007 / 31345097



Metris Classic 31485007

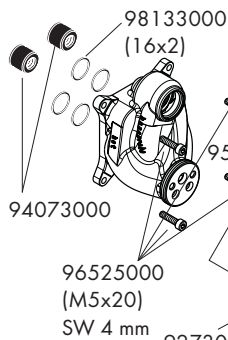


Metropol Classic 31365007 / 31365097





Talis E 71745007



94073000

98133000
(16x2)

96525000
(M5x20)
SW 4 mm

95014000
SW 15 mm

95008000

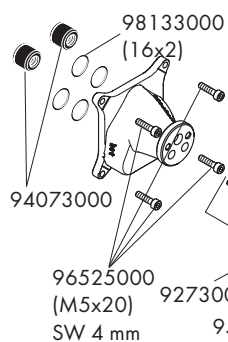
92730000

95140000
(M4x20)
SW 4 mm

98400000
(39x1,5)

98433000
(30x1,5)

Logis 71605007



94073000

98133000
(16x2)

96525000
(M5x20)
SW 4 mm

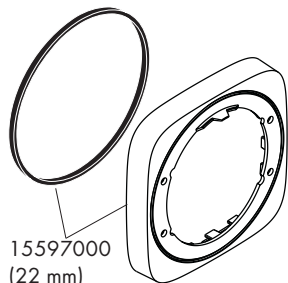
95008000

92730000

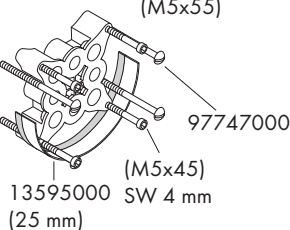
95140000
(M4x20)
SW 4 mm

98400000
(39x1,5)

98433000
(30x1,5)

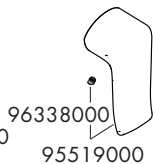


15597000
(22 mm)



13595000
(25 mm)

Metris 31454007

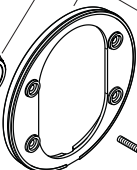


96338000

95519000

92602000
(20x2,5)

98796000
SW 38 mm



98433000
(30x1,5)

96454000
(M5x55)

98796000
SW 38 mm

98793000
(Ø 145 mm)

98418000
(43x3)

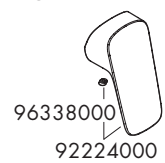
98418000
(43x3)

96454000
(M5x55)

97747000
(M5x45)

97747000
(M5x45)

Logis 71405007



96338000

92224000

98793000
(Ø 145 mm)

98790000

98790000

98790000

96454000
(M5x55)

98790000

98418000
(43x3)

98793000
(Ø 145 mm)

98790000

98790000

98790000

98790000

98790000

98790000

98790000

98790000

98790000

PuraVida

15445007 / 15445407

95274000

95274400

97667000
(M4x10)

SW 2 mm

96338000

95273000

95273400

96338000

95273000

95273400

95273000

95273400

95273000

95273400

95273000

95273400

95273000

95273400

95273000

95273400

95273000

95273400

95273000

95273400

95273000

95273400

95273000

95273400

95273000

95273400

95273000

95273400

95273000

95273400

95273000

95273400

95273000

95273400

95273000

95273400

95273000

95273400

95273000

95273400

95273000

95273400

95273000

95273400

95273000

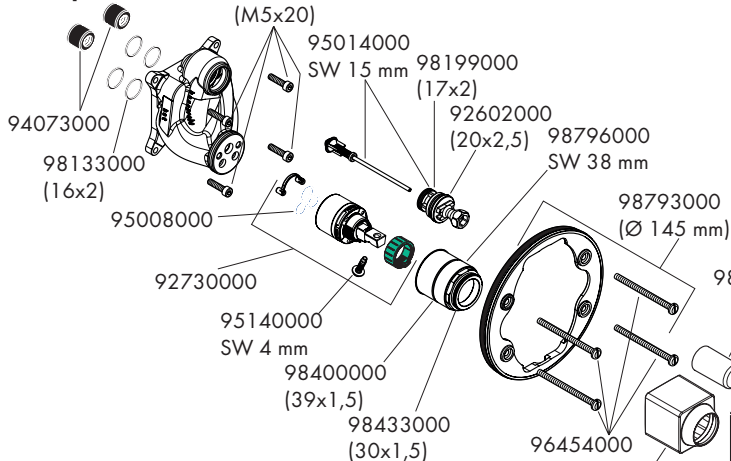
95273400

95273000

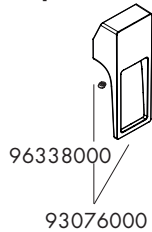
95273400



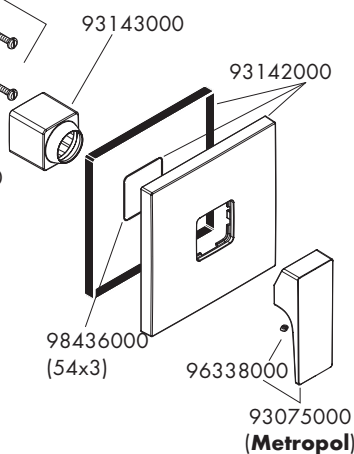
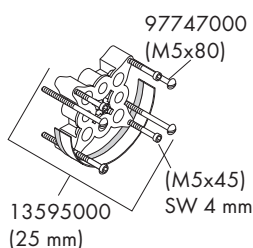
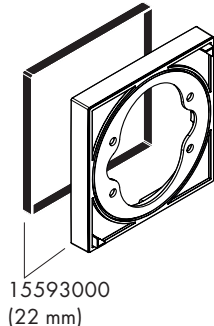
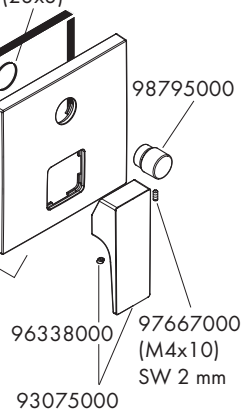
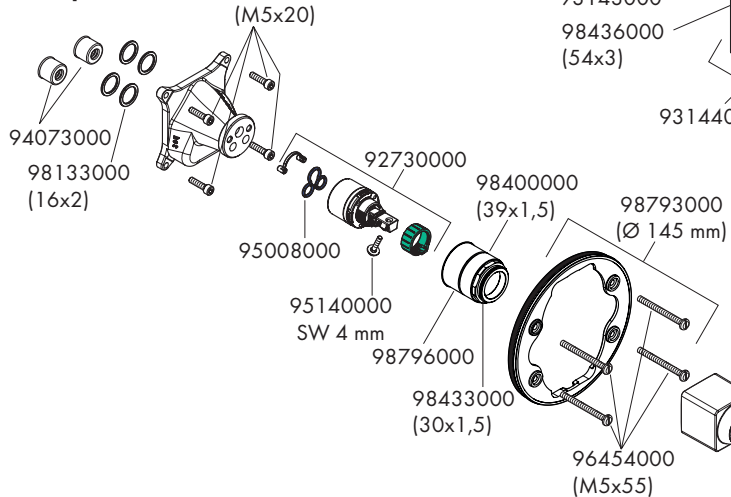
Metropol 32545007

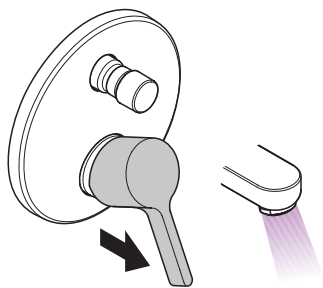


Metropol 74545007

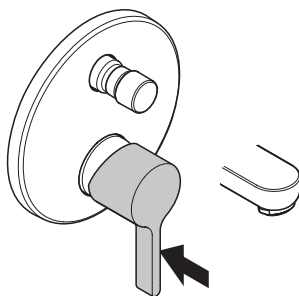


Metropol 32565007

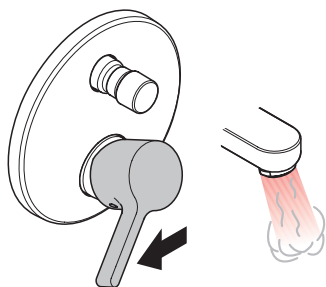




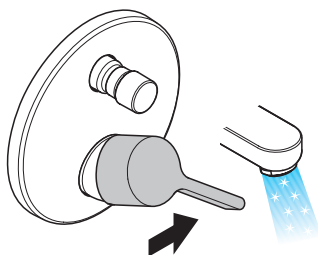
开 / open



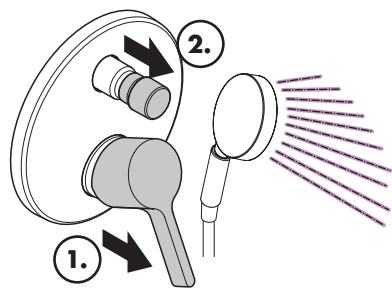
关 / close



热 / hot



冷 / cold



手持花洒 开 / hand shower open



手持花洒 关 / hand shower close

hansgrohe