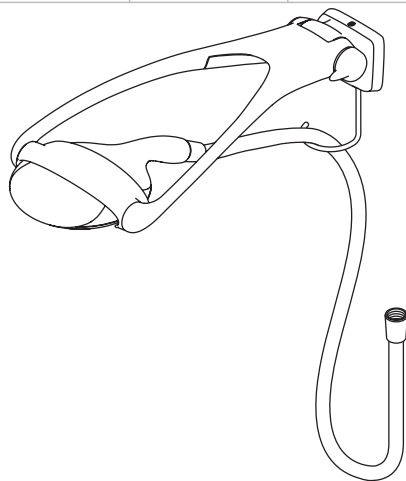


Installation Instructions / Warranty



Raindance Allrounder
28110XX1
Wall Outlet Adapter with Hose
Connection
28108XX1

hansgrohe



Ihr Online-Fachhändler für:

hansgrohe

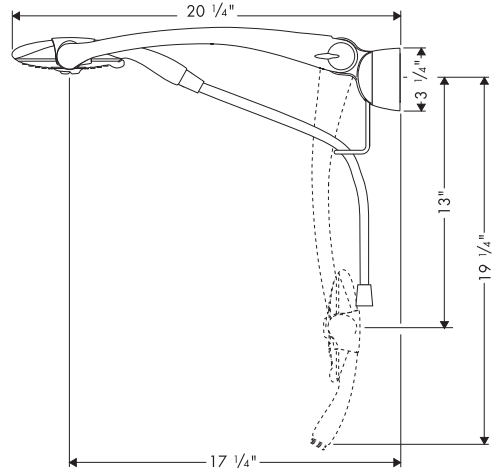
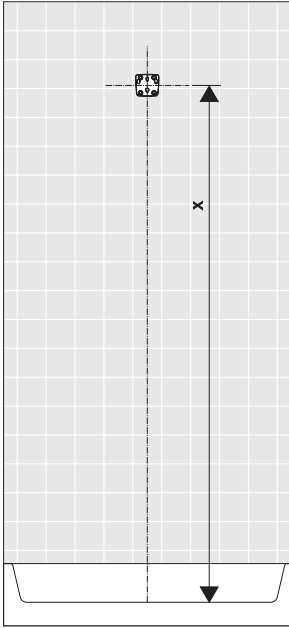
- Kostenlose und individuelle Beratung
- Hochwertige Produkte
- Kostenloser und schneller Versand

- TOP Bewertungen
- Exzelerter Kundenservice
- Über 20 Jahre Erfahrung



E-Mail: info@unidomo.de | Tel.: 04621 - 30 60 89 0 | www.unidomo.de

Raindance Allrounder 28110XX1

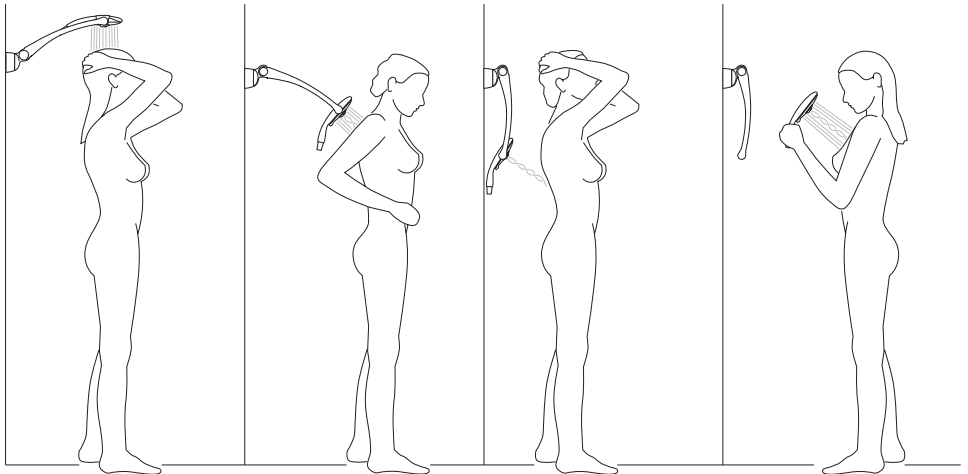


Technical Data

Max. flow rate of showerhead 2.5 gpm

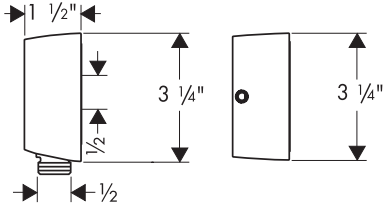
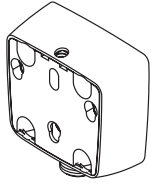
Determining the mounting height (X)

The Allrounder should be mounted according to the preferences of the users. It should be convenient for all adult users.



Install the Allrounder with the Optional Wall Outlet Adapter with Hose Connection 28108XX1

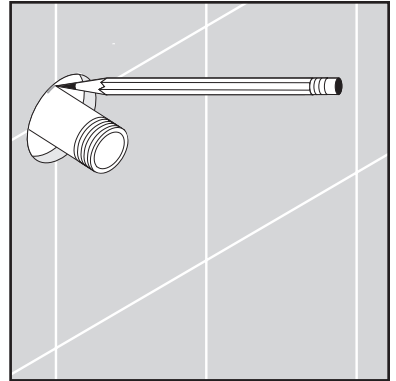
If you are not using the 28108XX1 wall outlet adapter, go to page 9.



Roughing in

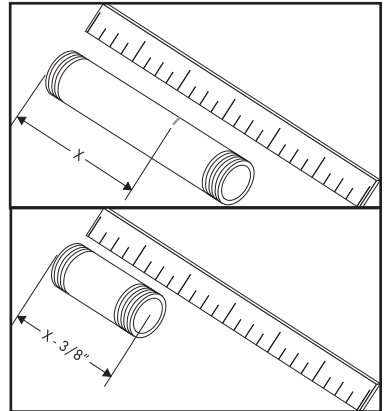
Install a properly anchored 1/2" NPT drop-eared ell, at least 2" behind the surface of the finished wall. Install a test nipple in the ell.

When the finished wall is complete, mark the test nipple at the wall surface. Remove the test nipple.



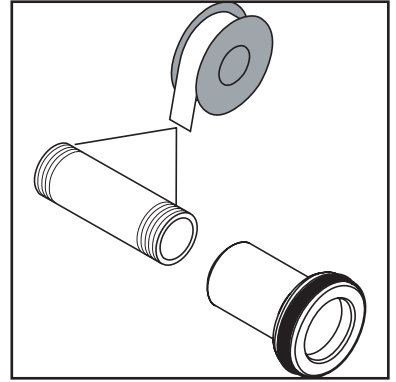
Measure the test nipple to the mark.

Subtract 3/8" from this measurement. This is the length of the **brass** nipple required to install the wall outlet adapter.



Installation

Wrap both ends of the brass nipple with Teflon tape.
Screw it into the mounting piece.



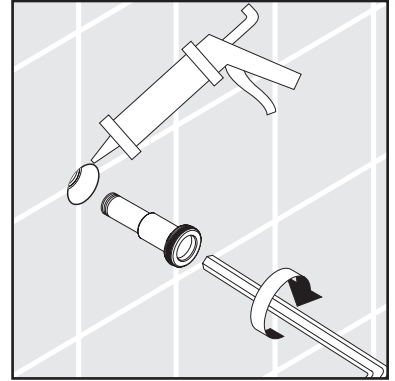
Screw the test nipple / mounting piece assembly into the drop-eared ell.

Tighten with a 12 mm Allen wrench (not included).

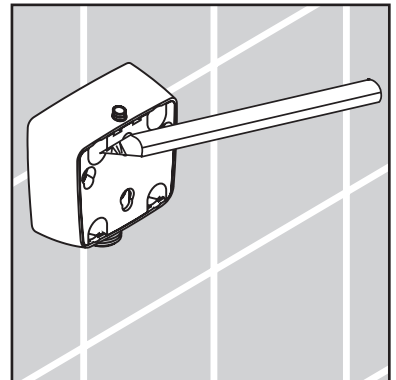


Do not overtighten, or damage will result.

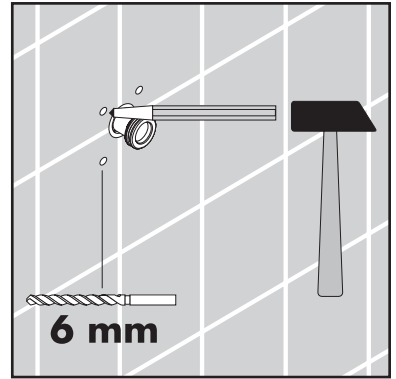
Seal the wall around the mounting piece with water-proof sealant.



Position the mounting plate over the mounting piece.
Use a grease pencil or similar tool to mark the position of the screw holes.



Drill the holes with a 6 mm bit. Use extreme caution - do not drill into the water line.

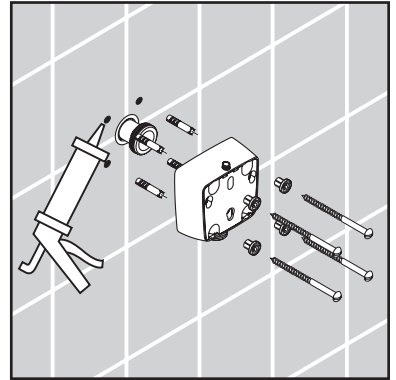


Install the anchors.

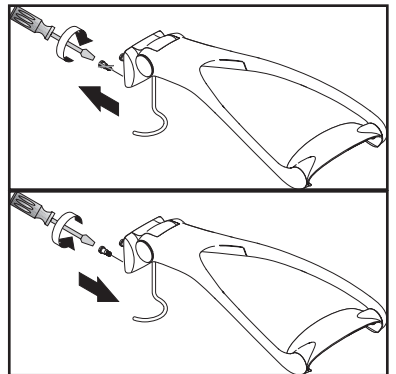
 **Seal the wall around the anchors with waterproof sealant.**

 **Failure to seal the wall can lead to possible water damage.**

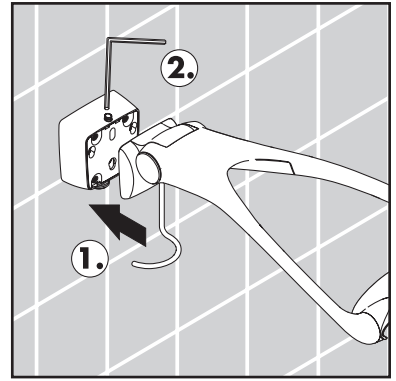
Install the mounting plate, using the screws and offset bushings provided.



Remove the long bottom mounting screw on the All-rounder. Replace with the shorter screw included with the adapter.



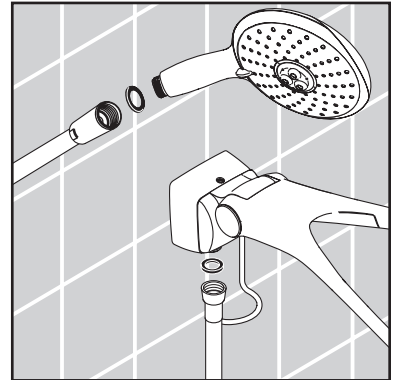
Attach the Allrounder to the mounting plate. Tighten the set screw.



Install the handshower

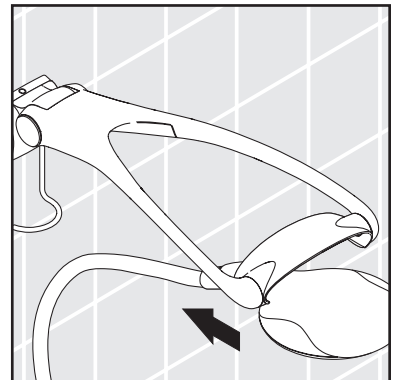
Place a black rubber washer in one end of the hose. Screw this end to the wall outlet adapter.

Place the screen washer in the other end of the hose. Screw this end to the handshower.



Slide the handshower into the handshower holder.

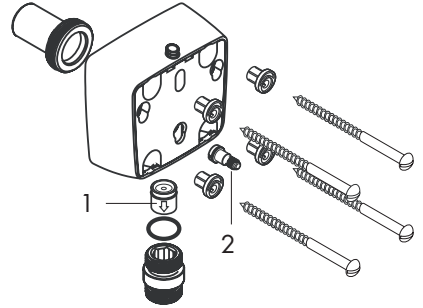
Guide the hose over the hose hook.



Replacement Parts 28108001

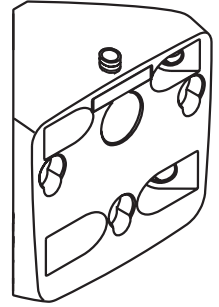
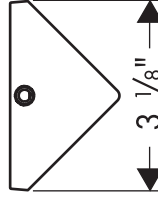
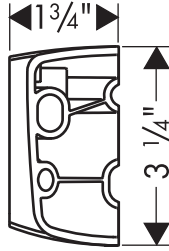
- 1 check valve 94074000
- 2 screw 97598000

Check Valve Maintenance: Backflow prevention is provided by a check valve, which is integral to the wall outlet adapter. The check valve should be removed and cleaned yearly.



Corner Mount Kit 28105XX0

Note: The corner mount kit is not for use with the 28108XX1 wall outlet adapter.



Position the corner mount against the wall at the desired location.

Mark the positions of the screw holes.

Put the mount aside.

Drill the holes using a 6 mm bit.



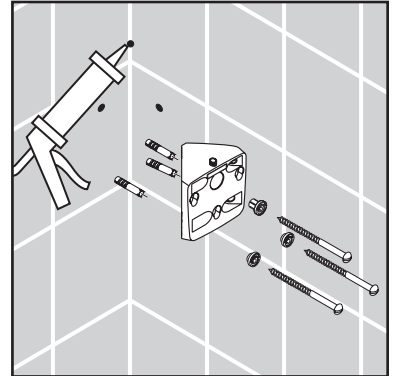
Seal the wall around the anchors with waterproof sealant.



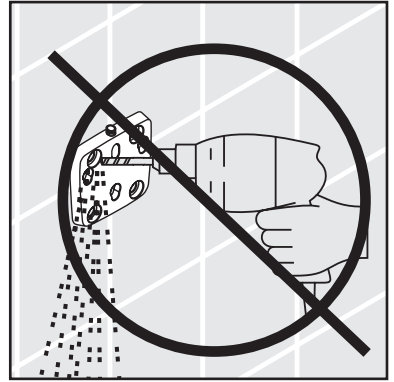
Failure to seal the wall can lead to possible water damage.

Install the corner mount with the screws and offset bushings.

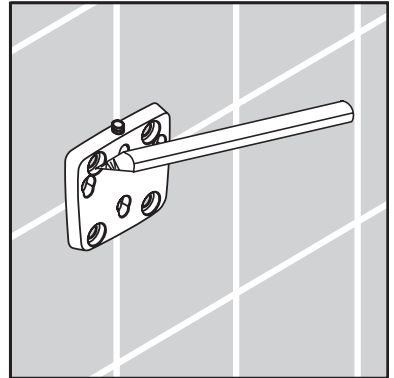
Install the Allrounder (see page 10). Tighten the set screw.



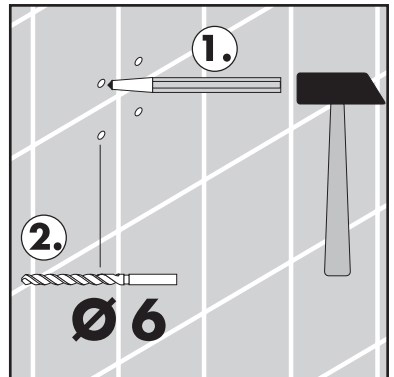
Install the 28110XX1 Allrounder
Do not drill through the mounting plate.



Place the mounting plate against the wall at the desired location. Mark the locations of the screw holes.



Put the mounting plate away in a safe location.
Drill the holes, using a 6 mm bit.



Install the anchors.

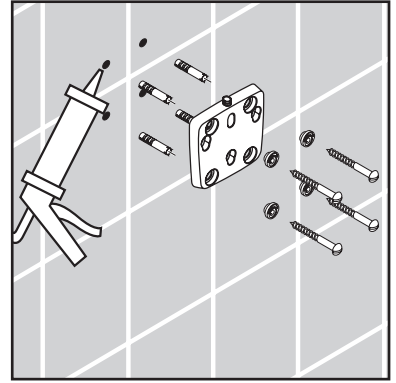


Seal the wall around the anchors with waterproof sealant.

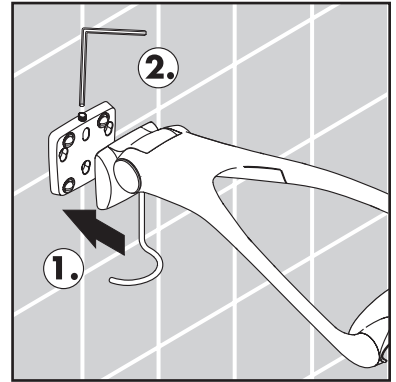


Failure to seal the wall can lead to possible water damage.

Secure the mounting plate to the wall with the screws and the offset bushings. The set screw should be on top.



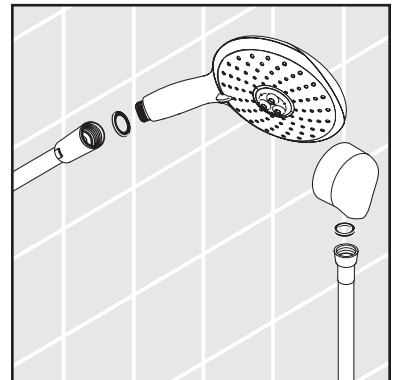
Place the Allrounder over the mounting bracket (1).
Tighten the set screw (2).



Install the handshower:

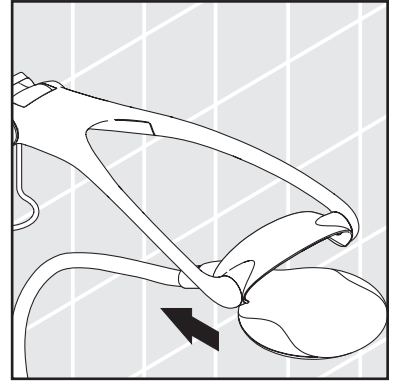
Place a black rubber washer in one end of the hose. Connect this end of the hose to the wall outlet (not included).

Place the screen washer in the other end of the hose. Screw it to the handshower.



Slide the handshower into the holder, until the holder grips it firmly.

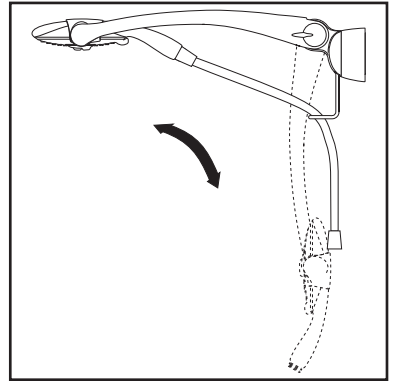
Guide the hose over the hose hook.



Using the Allrounder

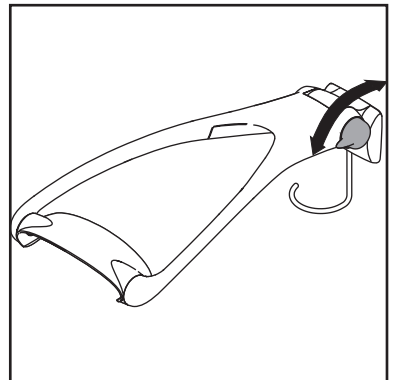
To adjust the handshower height:

Pull or push the Allrounder to the desired position.

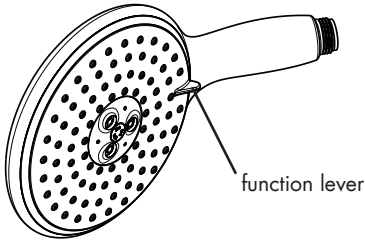


Turn the knob to the front to make the Allrounder easier to move.

Turn the knob to the rear to make it harder to move.



Raindance E 150 Air 3-Jet Handshower 28518XX1



Change the spray modes

Push the function lever until it is next to the name of the desired function. The Raindance has 3 spray modes.



Rain AIR



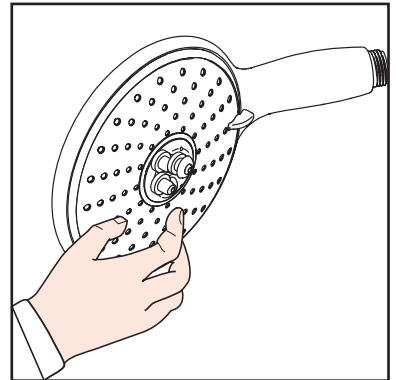
Balance AIR



Whirl AIR

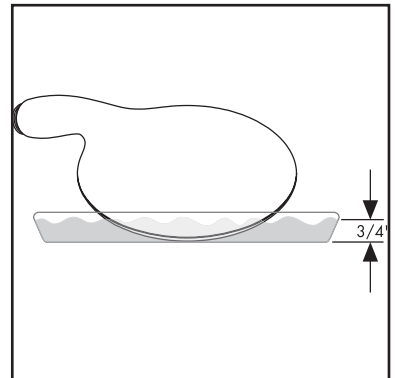
Limescale Removal

The spray channels on the Raindance are protected by the Rubit!TM self-cleaning system. If scale deposits are noticed, turn the water on lightly and rub across the channels with a sponge or fingers

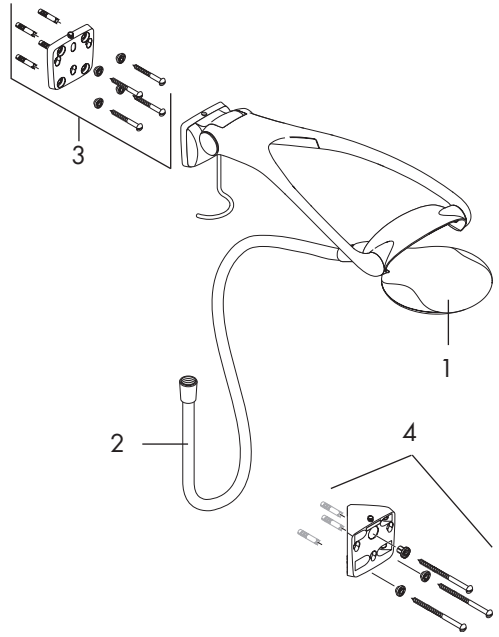


Remove scale deposits on the spray face by using a commercial limescale remover such as Lime-AwayTM or CLRTM. Follow the label instructions carefully. Soak only the spray face.

Rinse the handshower thoroughly when finished.



Replacement parts 28110XX1



- 1 handshower 28518XX1
- 2 Techniflex hose 28276XX3
- 3 mounting plate 97609XX0
- 4 corner mount kit 28105000
(optional - not for use with wall outlet adapter)

XX = color
00 = chrome
82 = brushed nickel

Cleaning Recommendation for Hansgrohe Products

Modern lavatory faucets, kitchen faucets, and showers consist of very different materials to comply with the needs of the market with regard to design and functionality. To avoid damage and returns, it is necessary to consider certain criteria when cleaning.

Cleaning Materials for Faucets and Showers

Acids are a necessary ingredient of cleaning materials for removing lime, however please pay attention to the following points when cleaning faucets and showers:

- Only use cleaning materials which are explicitly intended for this type of application.
- Never use cleaning materials which contain hydrochloric, formic, phosphoric, or acetic acid, as they cause considerable damage.
- Never mix one cleaning material with another.
- Never use cleaning materials or appliances with an abrasive effect, such as unsuitable cleaning powders, sponge pads, or micro fiber cloths.

Cleaning Instructions for Faucets and Showers

Please follow the cleaning material manufacturer's instructions. In addition, pay attention to the following points:

- Clean the faucets and showers as and when required
- Use the amount of cleaning product and the amount of time recommended by the manufacturer. Do not leave the cleaner on the fixture longer than necessary.
- Regular cleaning can prevent calcification.
- When using spray cleaners, spray first onto a soft cloth or sponge. Never spray directly onto the faucet as droplets can enter openings and gaps and cause damage.
- After cleaning, rinse thoroughly with clean water to remove any cleaner residue.

Important

Residues of liquid soaps, shampoos, and shower foams can also cause damage, so rinse with clean water after using.

Please note: if the surface is already damaged, the effect of cleaning materials will cause further damage.

Components with damaged surfaces must be replaced or injury could result.

Damage caused by improper treatment is not covered under the warranty.

Limited Lifetime Consumer Warranty

This product has been manufactured and tested to the highest quality standards by Hansgrohe, Inc. ("Hansgrohe"). This warranty is limited to Hansgrohe products which are purchased by a consumer in the United States after March 1, 1996, and installed in either the United States or Canada.

WHO IS COVERED BY THE WARRANTY

This warranty extends to the original consumer purchaser only. This warranty is non-transferable.

WHAT IS COVERED BY THE WARRANTY

This warranty covers only your Hansgrohe manufactured product. Hansgrohe warrants this product against defects in material or workmanship as follows: Hansgrohe will repair at no charge for parts only or, at its option, replace any product or part of the product that proves defective because of improper workmanship and/or material, under normal installation, use, service and maintenance. If Hansgrohe is unable to provide a replacement and repair is not practical or cannot be timely made, Hansgrohe may elect to refund the purchase price in exchange for the return of the product.

LENGTH OF WARRANTY

Replacement or repaired parts of products will be covered for the term of this warranty as stated in the following two sentences. If you are a consumer who purchased the product for use primarily for personal, family, or household purposes, this warranty extends for as long as you own the product and the home in which the product is originally installed. If you purchased

the product for use primarily for any other purpose, including, without limitation, a commercial purpose, this warranty extends only (i) for 1 year, with respect to Hansgrohe and Commercial products, and (ii) for 5 years, with respect to AXOR products.

THIS WARRANTY DOES NOT COVER, AND HANSGROHE WILL NOT PAY FOR:

- A. Conditions, malfunctions or damage not resulting from defects in material or workmanship.
- B. Conditions, malfunctions or damage resulting from (1) normal wear and tear, improper installation, improper maintenance, misuse, abuse, negligence, accident or alteration, or (2) the use of abrasive or caustic cleaning agents or “no-rinse” cleaning products, or the use of the product in any manner contrary to the product instructions. (3) Conditions in the home such as excessive water pressure or corrosion.
- C. Labor or other expenses for the disconnection, deinstallation, or return of the product for warranty service, or for installation or reinstallation of the product (including but not limited to proper packaging and shipping costs), or for installation or reinstallation of the product.
- D. Accessories, connected materials and products, or related products not manufactured by Hansgrohe.

TO OBTAIN WARRANTY PARTS OR INFORMATION

Contact your Hansgrohe retailer, or contact Technical Service at:

Hansgrohe Inc.
1492 Bluegrass Lakes Parkway
Alpharetta GA 30004
Toll-free (800) 334-0455.

In requesting warranty service, you will need to provide

- 1. The sales receipt or other evidence of the date and place of purchase.
- 2. A description of the problem.
- 3. Delivery of the product or the defective part, postage prepaid and carefully packed and insured, to Hansgrohe Inc. 1492 Bluegrass Lakes Parkway, Alpharetta, Georgia 30004, Attention: Technical Service, if required by Hansgrohe.

When warranty service is completed, any repaired or replacement product or part will be returned to you postage prepaid.

EXCLUSIONS AND LIMITATIONS

REPAIR OR REPLACEMENT (OR, IN LIMITED CIRCUMSTANCES, REFUND OF THE PURCHASE PRICE) AS PROVIDED UNDER THIS WARRANTY IS THE EXCLUSIVE REMEDY OF THE PURCHASER. HANSGROHE NEITHER ASSUMES NOR AUTHORIZES ANY PERSON TO CREATE FOR IT ANY OBLIGATION OR LIABILITY IN CONNECTION WITH THIS PRODUCT.

HANSGROHE SHALL NOT BE LIABLE TO PURCHASER OR ANY PERSON FOR ANY INCIDENTAL, SPECIAL, OR CONSEQUENTIAL DAMAGES, ARISING OUT OF BREACH OF THIS WARRANTY OR ANY IMPLIED WARRANTY (INCLUDING MERCHANTABILITY).

Some States do not allow the exclusion or limitation of incidental or consequential damages, so the above limitation or exclusion may not apply to you. This warranty gives you specific legal rights, and you may have other rights which vary from State to State. You may be required by law to give us a reasonable opportunity to correct or cure any failure to comply before you can bring any action in court against us under the Magnuson-Moss Warranty Act.

PRODUCT INSTRUCTIONS AND QUESTIONS

Upon purchase or prior to installation, please carefully inspect your Hansgrohe product for any damage or visible defect. Prior to installing, always carefully study the enclosed instructions on the proper installation and the care and maintenance of the product. If you have questions at any time about the use, installation, or performance of your Hansgrohe product, or this warranty, please call or write to us or call us toll-free at 800 334 0455.

hansgrohe

Hansgrohe, Inc. • 1490 Bluegrass Lakes Parkway • Alpharetta, GA 30004
Tel. 770-360-9880 • Fax 770-360-9887

www.hansgrohe-usa.com