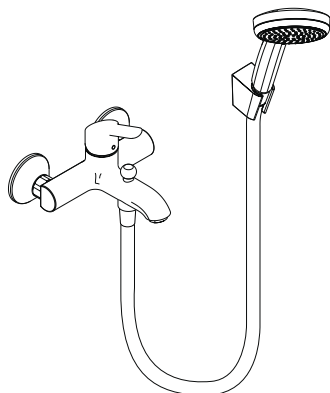
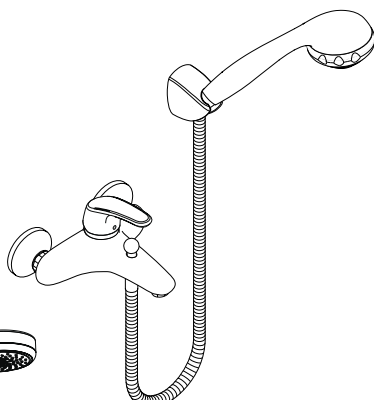


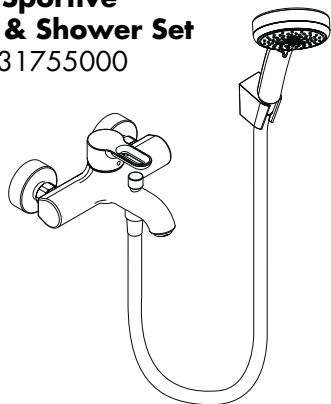
Installation Instructions



Sportive²
Bath & Shower Set
31755000



Avista
Bath & Shower Set
31756000



Status
Bath & Shower Set
31757000

hansgrohe



Ihr Online-Fachhändler für:

hansgrohe

- Kostenlose und individuelle Beratung
- Hochwertige Produkte
- Kostenloser und schneller Versand

- TOP Bewertungen
- Exzelerter Kundenservice
- Über 20 Jahre Erfahrung



E-Mail: info@unidomo.de | Tel.: 04621 - 30 60 89 0 | www.unidomo.de

Contents

Safety and Important Information	3
Pack Contents	4-5
Dimensions	6
Technical Data	7
Installation Requirements	8-9
Installation	
Bath & Shower Mixer	10-11
Porter´C / Porter´S	12-13
Adjustement	
Hot Water Limiter Adjustment	14
Operating your Shower	15
Cleaning	15
Spare Parts	16-19
Trouble Shooting	20
Warranty	20

If there are any queries regarding this product or its installation, please contact the Hansgrohe technical hotline: **0870 7701975**

Safety and Important Information

Hansgrohe products are safe provided they are installed, used and maintained in accordance with these instructions and recommendations.

Please read these instructions thoroughly and retain for future use.

The plumbing installation of this shower must comply with the requirements of UK Water Regulations/Bylaws (Scotland), Building Regulations or any other regulations specified by the local Water Authority and supplier.

We strongly recommend that you use a plumber registered with or a member of an Association:

Institute of Plumbing (IOP) - throughout the UK
National Association of Plumbing, Heating and Mechanical Services Contractors (NAPH & MSC) - England & Wales
Water Industry Approved Plumber Scheme (WIAPS)

Dispose of plastic bags carefully

Keep children well away from the work area.

Check for hidden pipes and cables in the wall before drilling holes.

The unit must be mounted on a finished waterproofed wall surface (usually tiles).

If you are using power tools (e.g. to drill holes) wear safety glasses and always disconnect tools from the power supply after use.

Do not operate the shower unit if the hand shower or spray hose has been damaged or is blocked.

Do not block the flow of water from the hand shower, by placing it on your hand or any other part of your body or foreign object.

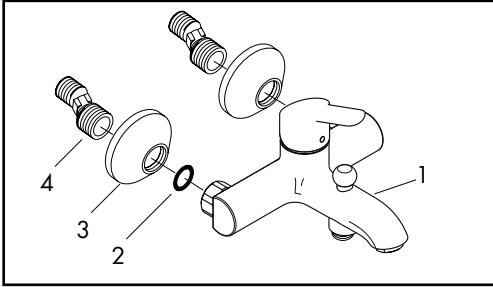
The bath & shower mixer unit should be serviced annually by a qualified person to ensure maximum safety during use.

The mixer incorporates check valves (page 16 pos. 10 / page 17 pos. 10 / page 18 pos. 12).

The fitting of isolation valves is required (preferred location page 8 and 9 Installation Requirements)

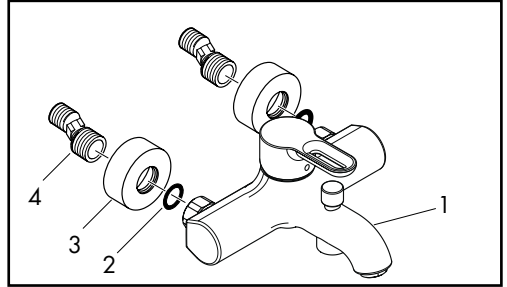
Pack Contents

Please check that you have been supplied with the following:



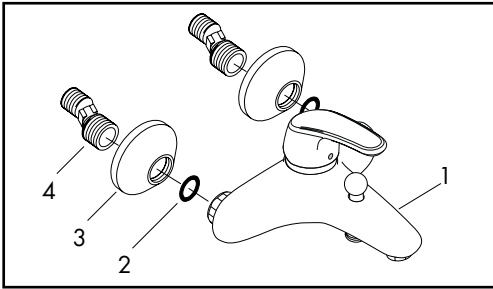
Sportive² Bath & Shower Set

- 1 Bath-shower mixer
- 2 Fibre washers
- 3 Escutcheons
- 4 S-unions



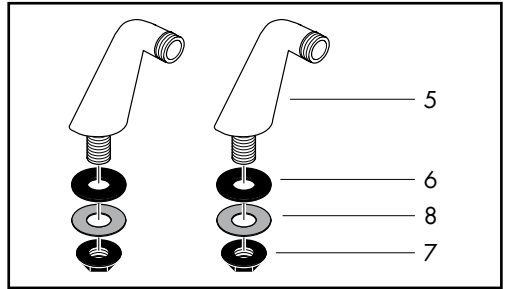
Status Bath & Shower Set

- 1 Bath-shower mixer
- 2 Fibre washers
- 3 Escutcheons
- 4 S-unions



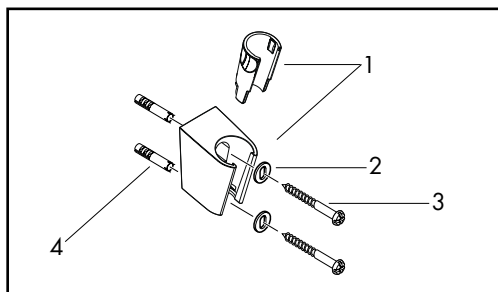
Avista Bath & Shower Set

- 1 Bath-shower mixer
- 2 Fibre washers
- 3 Escutcheons
- 4 S-unions



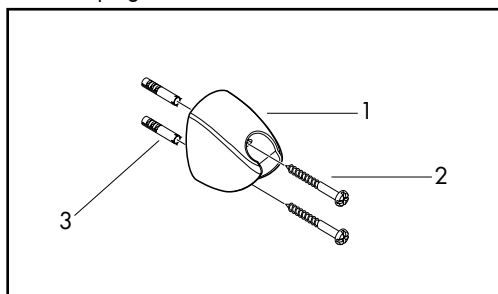
Sportive² / Avista / Status

- 5 Pillar unions
- 6 Large seals
- 7 Fixing nuts
- 8 Fibre washers



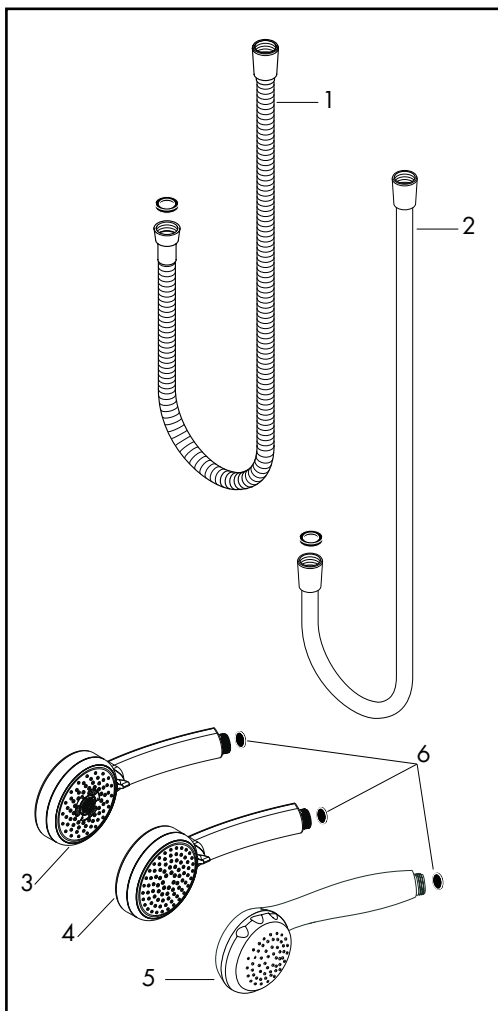
Porter S

- 1 Hand shower cursor
- 2 Washers
- 3 Fixing screws
- 4 Wall plugs



Porter Club

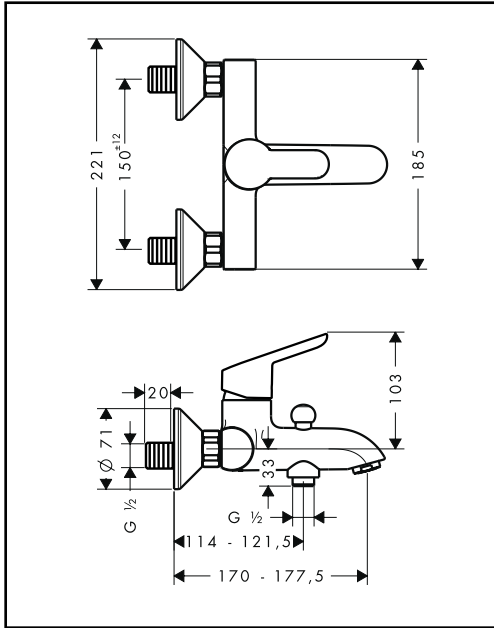
- 1 Hand shower cursor
- 2 Fixing screws
- 3 Wall plugs



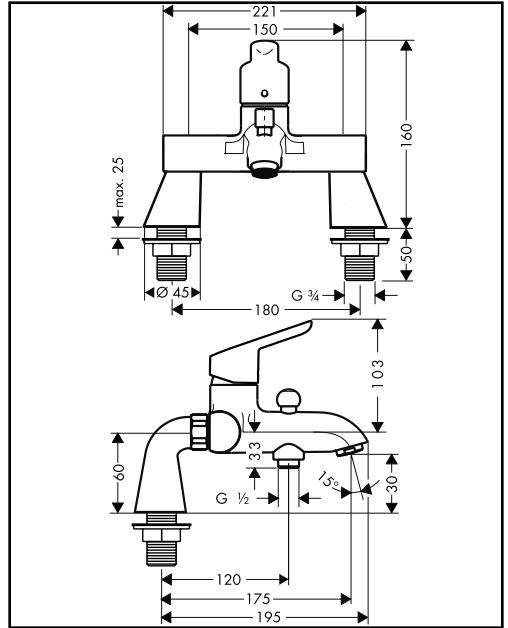
Hand Shower & Hoses

- 1 Hose Marin
- 2 Hose Verso
- 3 Status hand shower
- 4 Sportive² hand shower
- 5 Avista hand shower
- 6 Mesh washer

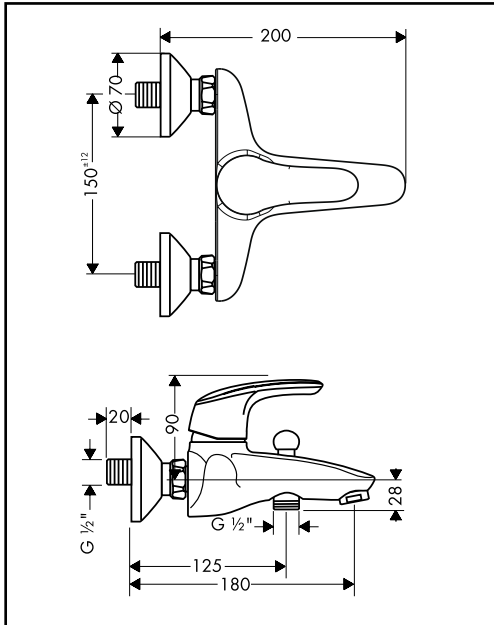
Dimensions



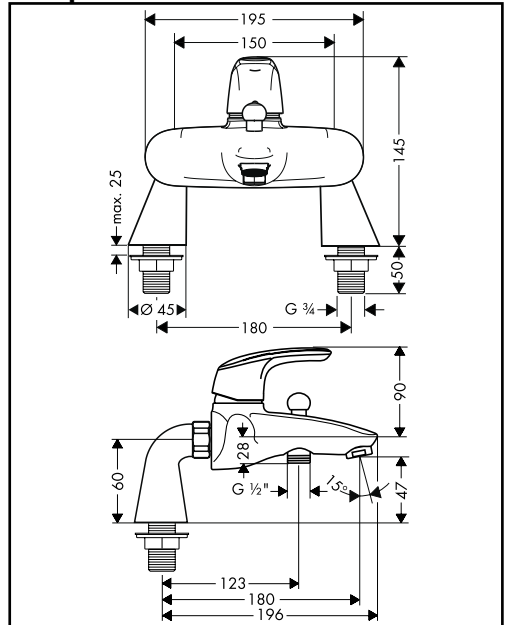
Sportive² Bath & Shower Mixer



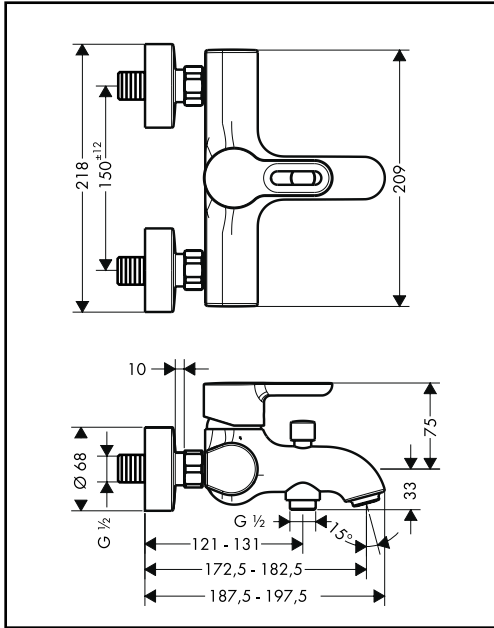
Sportive² Bath & Shower Mixer with pillar union



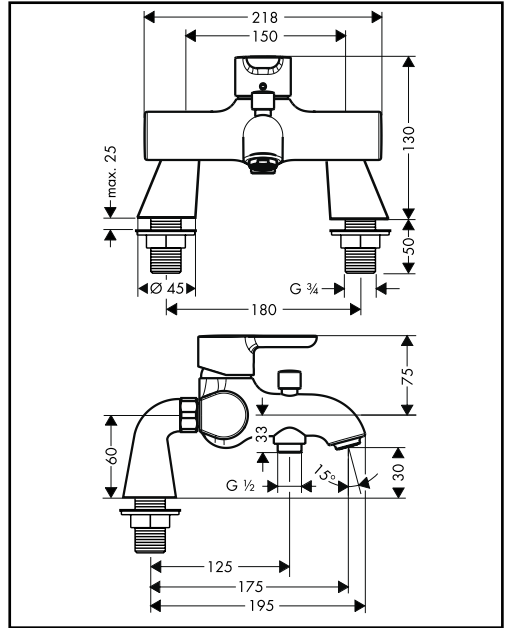
Avista Bath & Shower Mixer



Avista Bath & Shower Mixer with pillar union



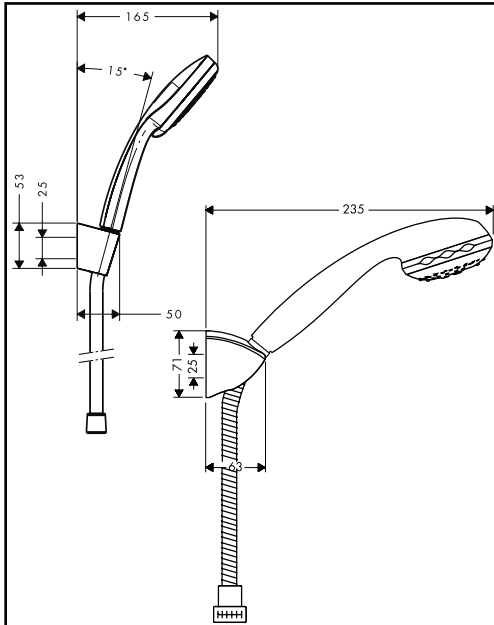
Status Bath & Shower Mixer



**Status Bath & Shower Mixer
with pillar union
Technical Data**

**Sportive² / Avista / Status
Bath & Shower Set**

Operating pressure: max. 1 MPa
 Recommended operating pressure: 0,1 - 0,5 MPa
 Test pressure: 1,6 MPa
 Hot water temperature: max. 80° C
 Recommended hot water temp.: 65° C
 Centre distance: 150 ± 12 mm
 Connections G 1/2: cold right - hot left
 Rate of flow 0,3 MPa: approx. 22 l/min
 (1 MPa = 10 bar = 147 PSI)
 Anti-pollution function
 Hot water connection: Left hand
 Cold water connection: Right hand
 Minimum difference between hot
 water and mixed water temperature: 6 K
 Hot and cold supply pressure should be balanced



Wall Bar, Hand Shower & Hose

Installation Requirements

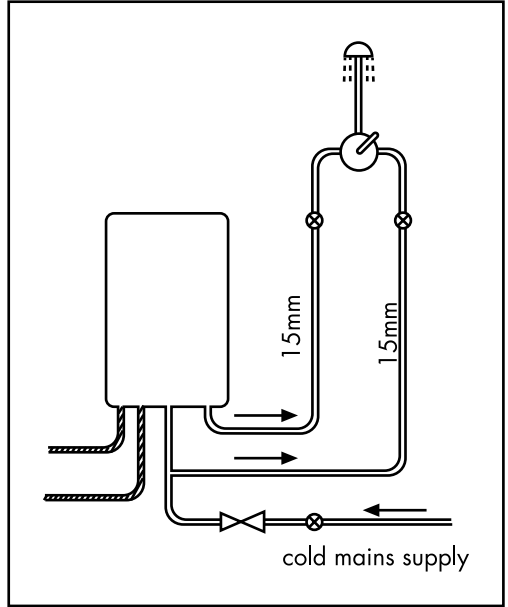
This mixer valve must be installed in compliance with current Water Regulations. If you have any doubts about the Water Regulation requirements contact your local water services provider or use the services of a professional plumber.

This mixer valve is suitable for use with the following water supply systems:

- Gas Combination Boiler (multi-point) 1.0 - 10 bar*
- Unvented System (pressure balanced) 1.0 - 10 bar
- Pumped System 1.0 - 10 bar

Before connecting the mixer, water should be flushed through the system to remove all debris that might otherwise damage the valve.

* If pressure is in excess of 3.5 bar, a pressure-reducing valve should be fitted.



Gas Combination Boiler (multi-point)

KEY



Isolating valve



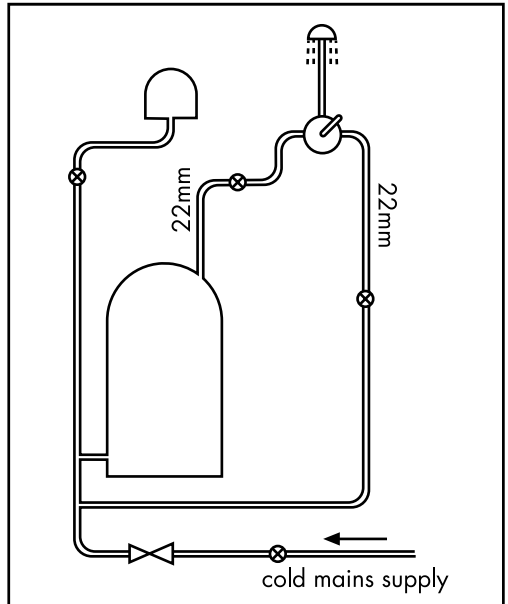
Reducing valve



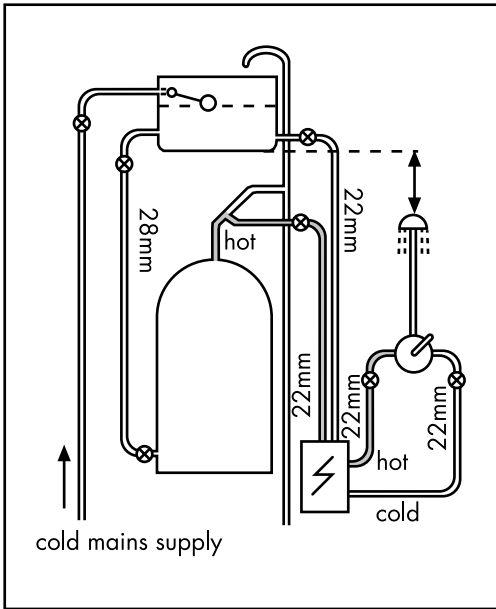
Mixer Valve



Pump



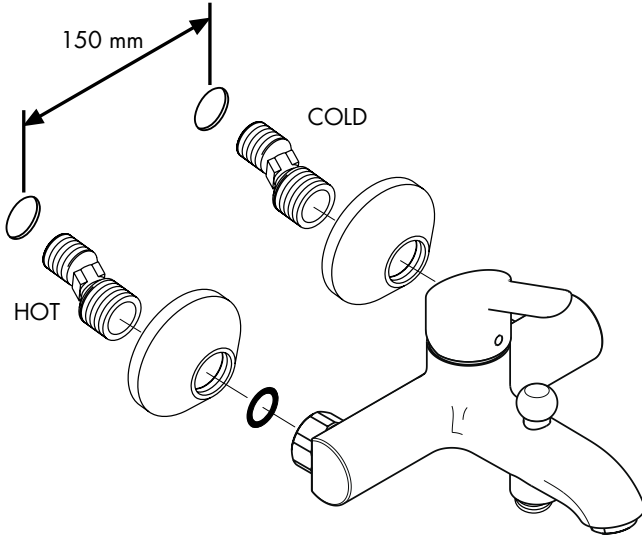
Unvented System (pressure balanced)



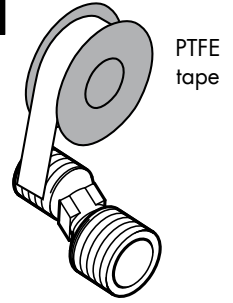
Pumped System

Installation

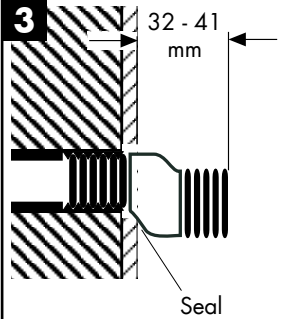
1 Bath/Shower Mixer



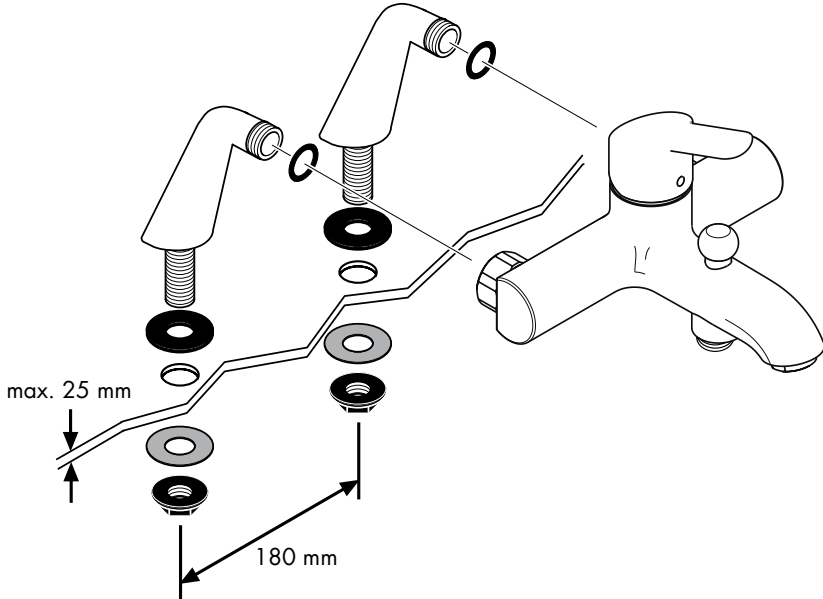
2



3



4 Bath/Shower Mixer with pillar union



Bath/Shower Mixer

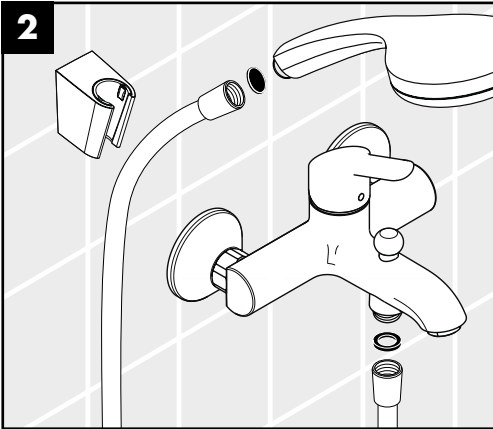
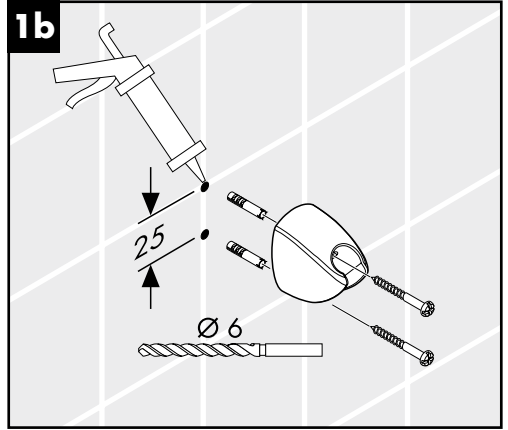
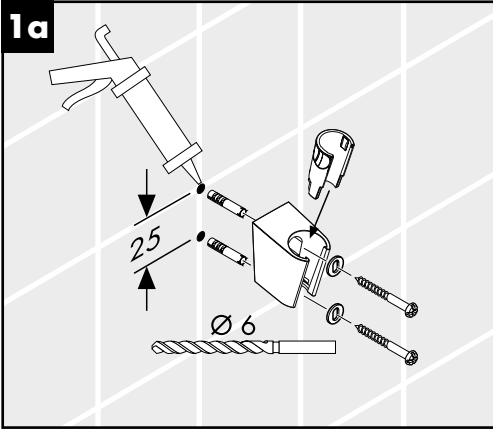
1. The hot and cold water outlets should be 150mm apart (plus or minus 12mm). Hot on the left and cold on the right (fig. 1). The recommended plumbing fittings are ½" back plate elbows (not supplied).
2. Flush through the hot and cold water supplies.
3. Wrap PTFE tape round the S-unions and screw into the backplate elbows. The S-unions must protrude beyond the tiled surface between 32 and 41mm (figs.2-3).
4. Seal the gap between the S-unions and the tiles (fig.3).
5. Screw the escutcheons onto the S-unions.
6. Fasten the mixer onto the S-unions using the union nuts. Align the unit and tighten the nuts (be careful not to damage the chrome finish). The S-unions allow inaccuracies to be compensated for.

Bath/Shower Mixer with pillar union

Two options

- a. As the shower mixer above (positioned over a bath).
 - b. Fitting to the bath using the supplied pillar unions.
1. The pillar unions are designed to fit tap holes on a bath 180mm apart with hot on the left and cold on the right (fig.4).
 2. Flush through the hot and cold water supplies.
 3. Place fibre washers into the holes of the chrome union nuts. (DO NOT USE FILTERS WHEN USING PILLAR UNIONS!)
- From under the bath fit a large seal washer over the thread then fix with the nuts.
4. Fasten the mixer onto the union pillars using the union nuts (be careful not to damage the chrome finish).

Installation



Where the contractor mounts the product, he should ensure that the entire area of the wall to which the mounting plate is to be fitted, is flat (no projecting joints or tiles sticking out), that the structure of the wall is suitable for the installation of the product and has no weak points. The delivered mounting kit is suitable for:

- Concrete
- Natural stone with dense structure
- Solid brick
- Sand-lime solid brick
- Solid pumice bricks
- Aircrete
- Porous bricks
- Vertically perforated brick
- Sand-lime perforated block
- Hollow block made from lightweight concrete
- Solid panel made from gypsum
- Standard gypsum wallboard / plaster fiber board
- Chipboard

Suitable fixing material must be used at other wall constructions!

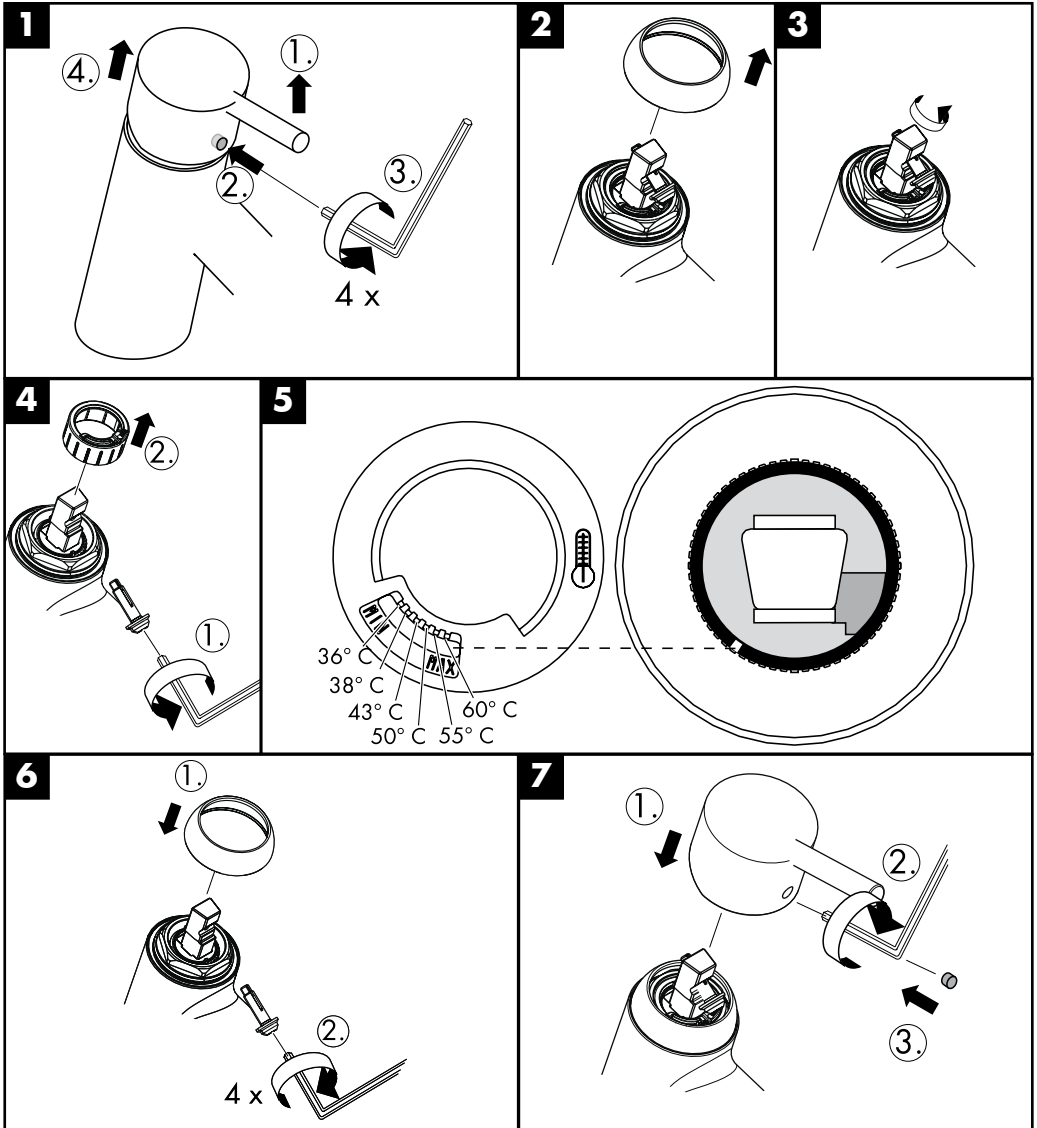
1. Measure the desired space for the fixation points of the wall support. Adjust the dimensions to the tile pattern if required (fig. 1).
2. Using a centre punch mark the hole positions and using a 6mm suitable drill bit drill a hole to a depth of 45mm (fig. 1).

Handy Hint: Mark the drill hole positions on a piece of masking tape on the wall. The drill bit will be less likely to slip when you start drilling.

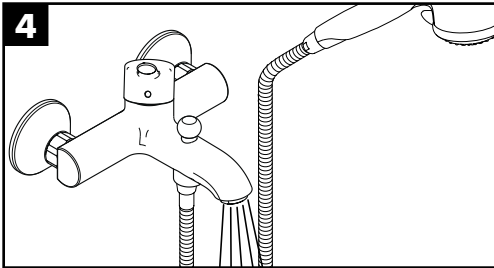
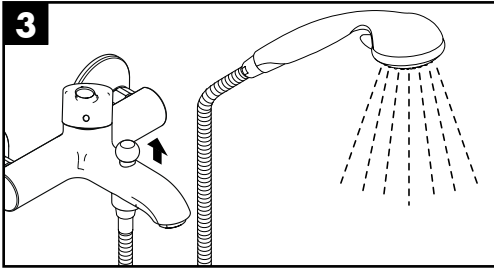
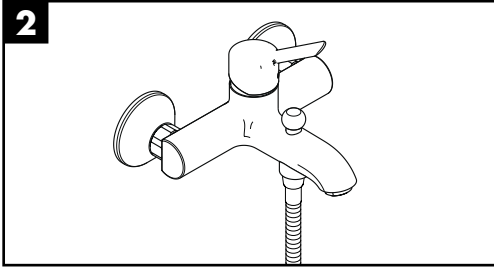
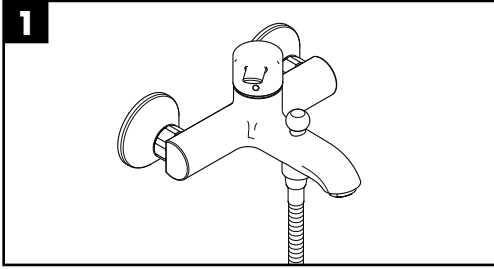
3. Insert wall plugs into the holes (beyond the depth of the supports) and seal around the hole. Fix the porter in position using the 50mm fixing screws and washers. (fig. 1).
4. Attach the hose to the hand shower head ensuring a mesh washer is inserted (where shown) to protect against any incoming dirt. Attach the other end of the hose to the connection on the mixer ensuring a rubber washer is inserted where shown. Place the hand shower into the hand shower slider (fig.2).

Hot Water Limiter Adjustment

Hot water temperature 60°C, cold water temperature 10°C, flow rate 0,3 MPa.



The mixer is actuated by lifting the lever head. Swivel to the left = hot water (fig. 1), swivel to the right = cold water (fig. 2). The flow is changed from bath to shower function by pulling the knob at the upper side of the spout (fig. 3). After shutting off the water flow, the mixer returns automatically to the bath function (fig. 4).



Cleaning materials for Mixers and Showers

Acids are necessary ingredients of cleaning materials for removing lime. However please pay particular attention to the following points when cleaning mixers and showers:

Only use cleaning material specifically intended for this type of cleaning - such as Hansgrohe's Decalcifying Agent, available through the specialist sanitary trade.

Never use cleaning materials which contain hydrochloric, formic or acetic acid, as they cause considerable damage.

Never use Phosphoric acid as it can cause damage.

Never mix any cleaning material with another. Never use cleaning materials on appliances with an abrasive effect, such as unsuitable cleaning powders, sponge pads or micro fibre cloths.

Cleaning Instructions for Mixers and Showers

Please follow the cleaning materials manufacturer's instructions. In addition pay attention to the following points:

Clean the mixers and showers as and when required.

The cleaning dosage and time the cleaner needs to take effect should be adjusted according to the product and the cleaner should not be left longer than necessary.

Regular cleaning can prevent calcification.

When using spray cleaner, spray first into a cloth or sponge never directly onto the sanitary tapware, as drops could enter openings and gaps and cause damage.

After cleaning, rinse thoroughly with clean water to remove any cleaner residue.

Important

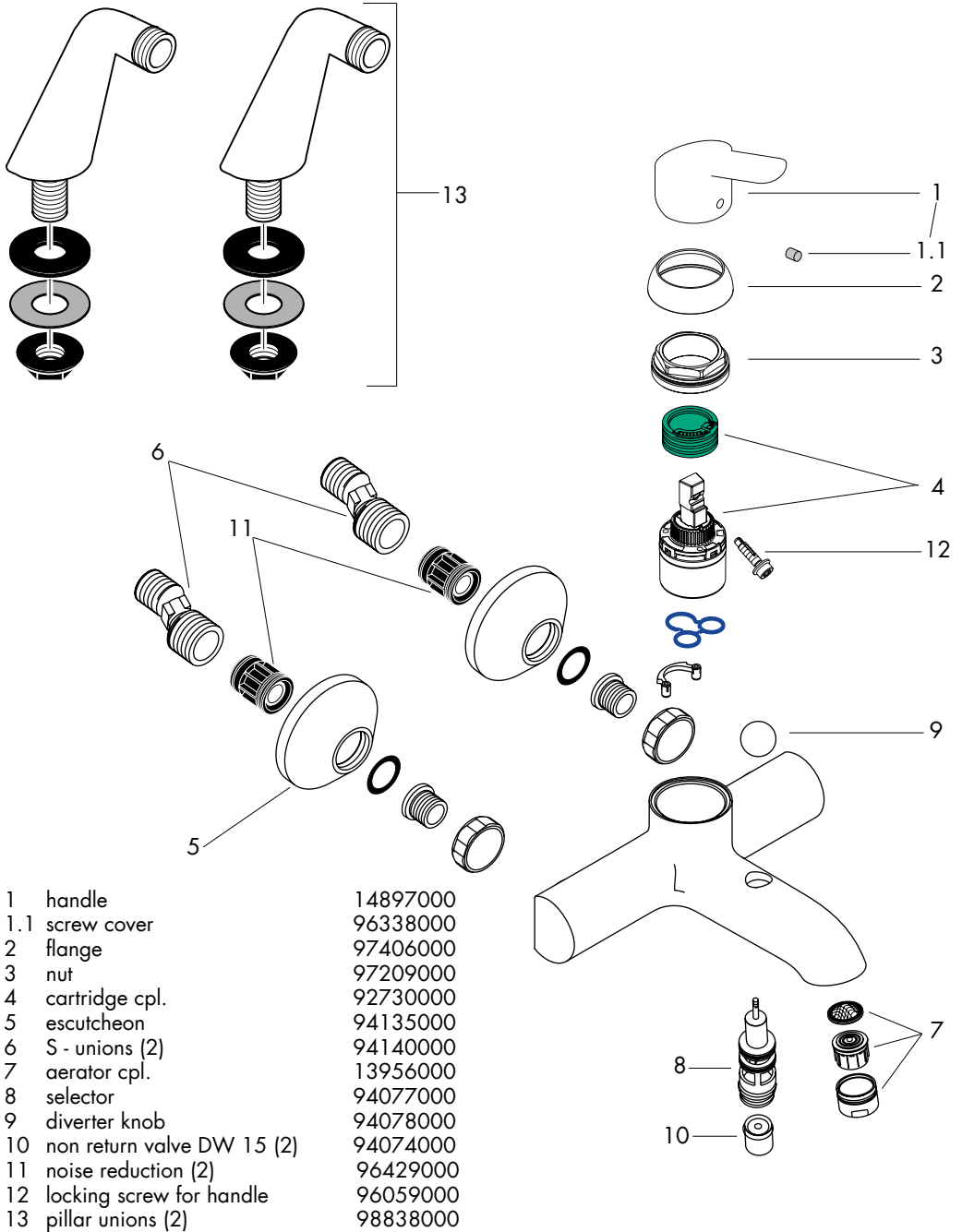
Residues of liquid soaps, shampoos and shower foams can also cause damage, so rinse with clean water after use.

If the surface is already damaged, the effect of cleaning materials will cause further damage.

Damage caused by improper treatment will not be covered by our guarantee.

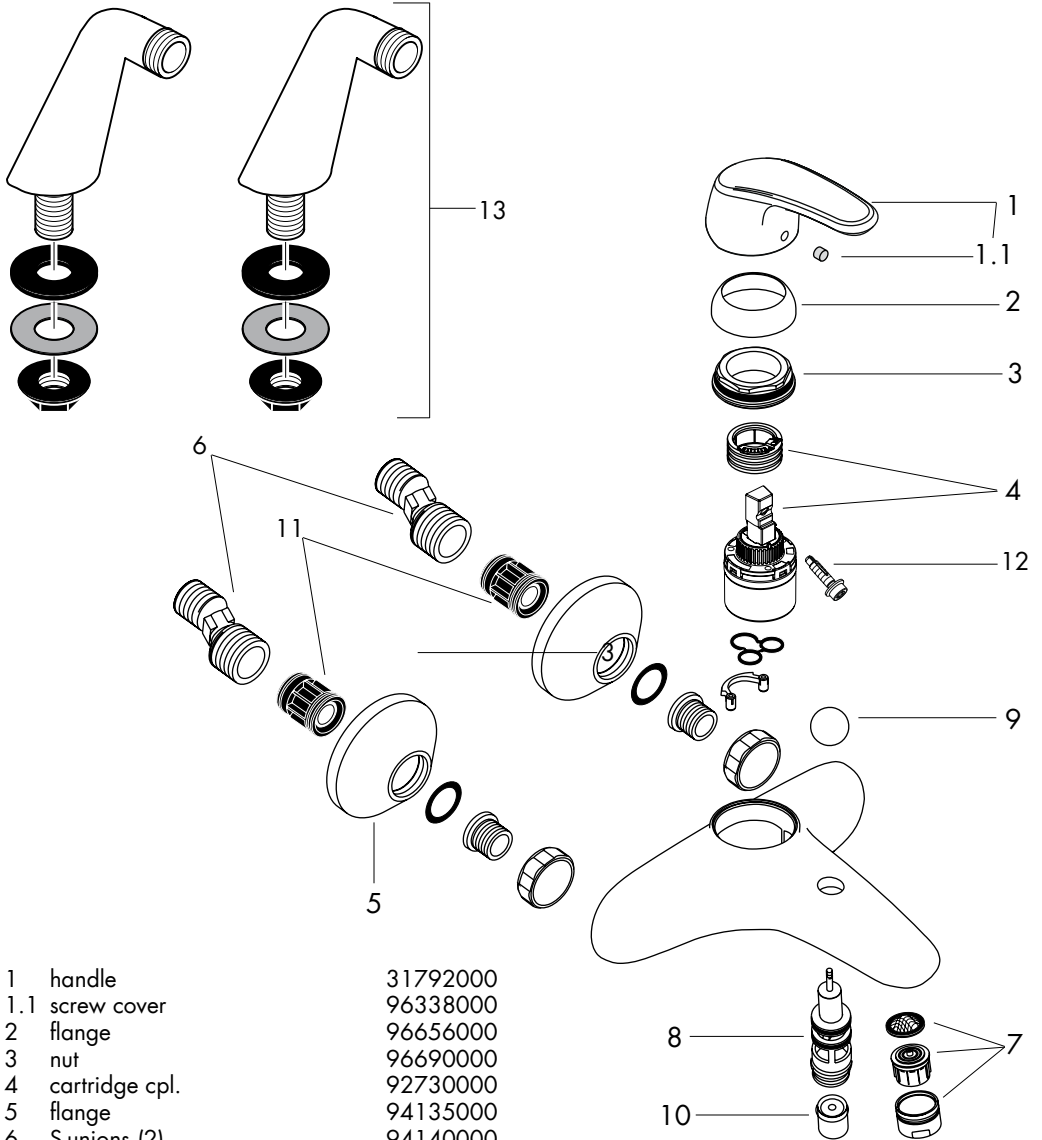
Spare Parts

Sportive² Bath & Shower Set



Spare Parts

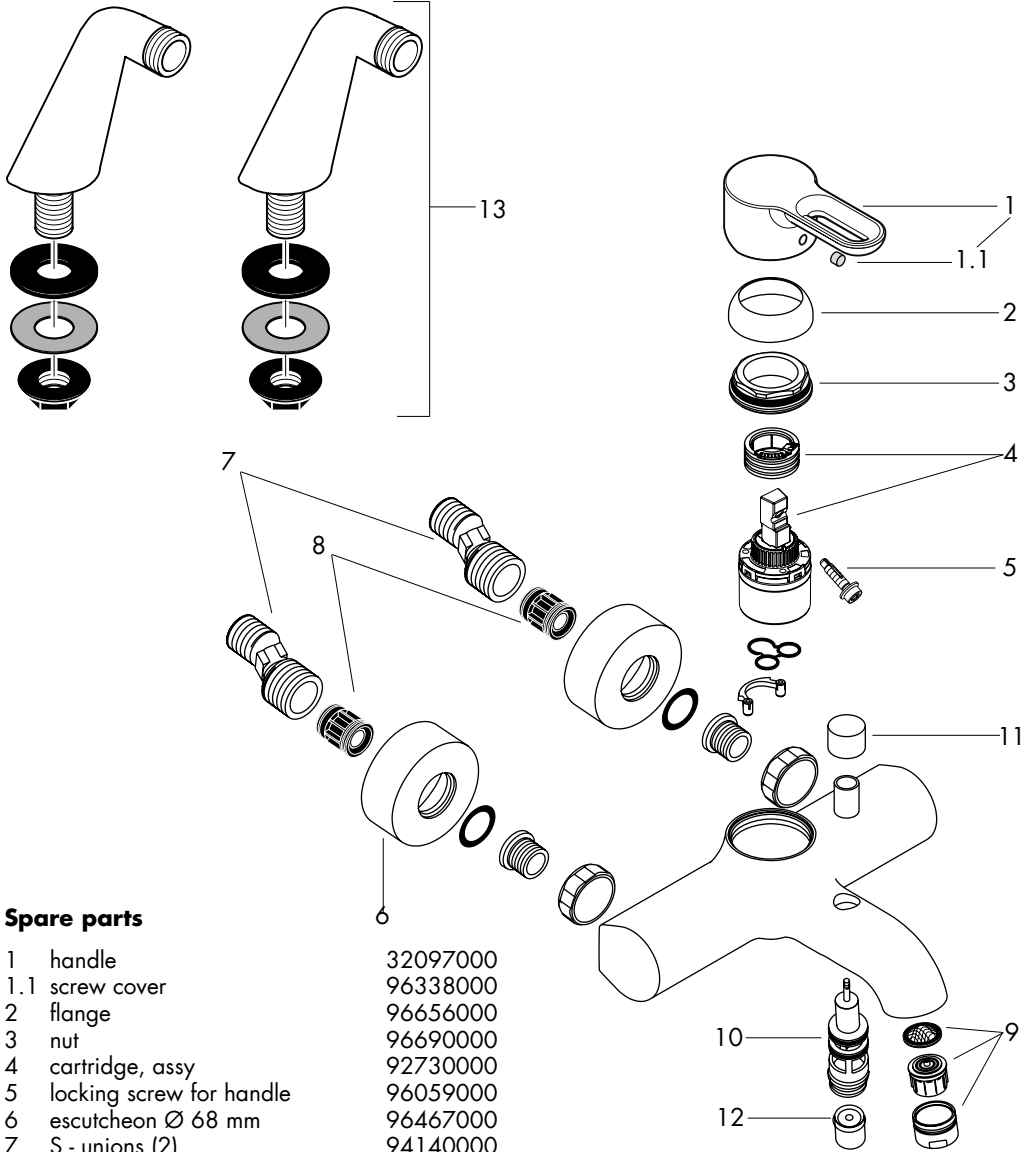
Avista Bath & Shower Set



1	handle	31792000
1.1	screw cover	96338000
2	flange	96656000
3	nut	96690000
4	cartridge cpl.	92730000
5	flange	94135000
6	S-unions (2)	94140000
7	aerator cpl.	13956000
8	selector assy	94077000
9	diverter knob	94078000
10	non return valve DW 15 (2)	94074000
11	noise reduction (2)	96429000
12	locking screw for handle	96059000
13	pillar unions (2)	98838000

Spare Parts

Status Bath & Shower Set



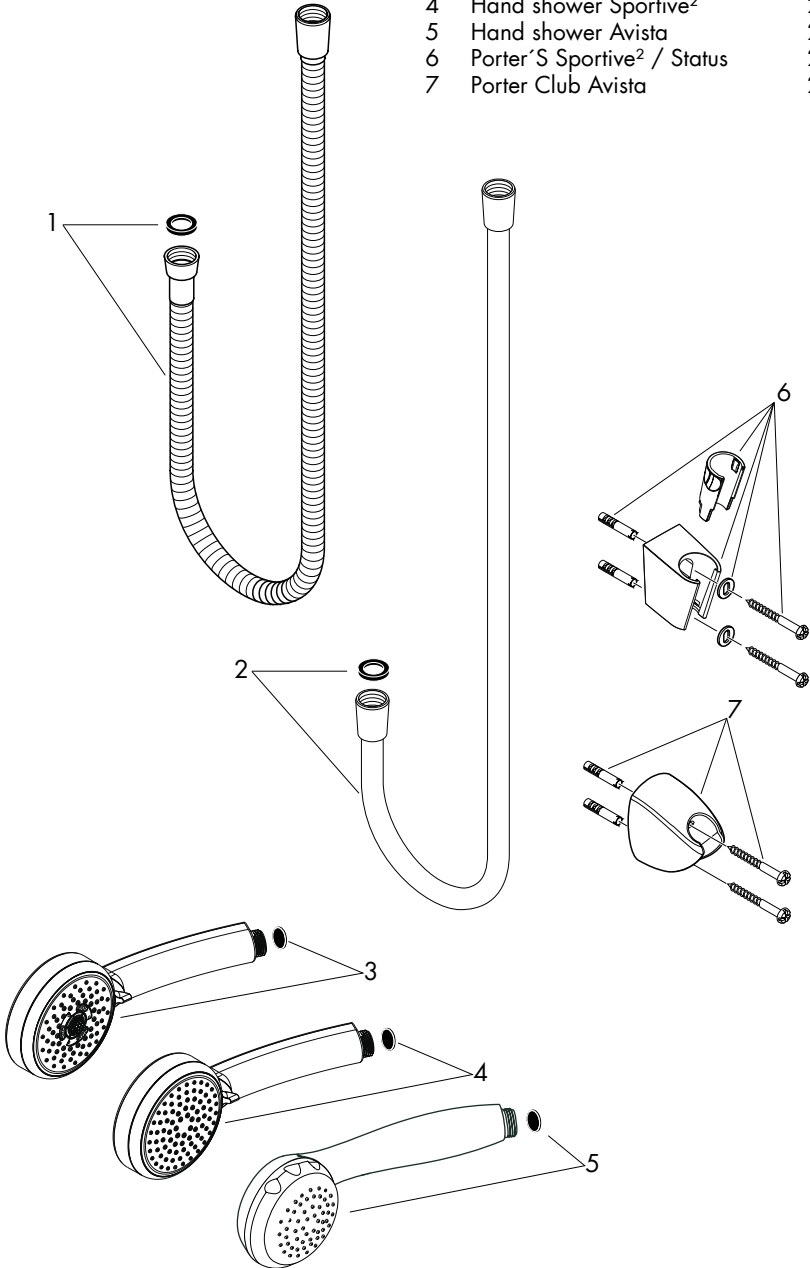
Spare parts

1	handle	32097000
1.1	screw cover	96338000
2	flange	96656000
3	nut	96690000
4	cartridge, assy	92730000
5	locking screw for handle	96059000
6	escutcheon Ø 68 mm	96467000
7	S - unions (2)	94140000
8	noise reduction (2)	96429000
9	aerator cpl.	13956000
10	selector assy	94077000
11	diverter knob	96466000
12	non return valve DW 15 (2)	94074000
13	pillar unions (2)	98838000

Spare Parts

Porter'S, Porter Club, Hand Shower & Hose

1	Hose Avista	28268002
2	Hose Sportive ² / Status	28275000
3	Hand shower Status	28778000
4	Hand shower Sportive ²	28779000
5	Hand shower Avista	28359000
6	Porter'S Sportive ² / Status	28331000
7	Porter Club Avista	27521000



Trouble Shooting

Fault	Cause	Remedy
Insufficient water	- Shower filter seal dirty - Non return valve didn't move back	- Clean filter seal between shower and hose - Exchange non return valves
Mixer stiff	- Cartridge defective, calcified	- Exchange cartridge
Mixer dripping	- Cartridge defective	- Exchange cartridge
Hot water temperature too low	- Hot water limiter incorrectly set	- Set hot water limiter
Instantaneous heater didn't work	- Flow limiter in handshower isn't removed - Filter are dirty - Non return valve didn't move back	- Remove flow limiter - Clean the filter/exchange filter - Exchange non return valves

Warranty

You have purchased a quality product from Hansgrohe. All parts which show any kind of fault as far as construction, material or assembly are concerned within the first 24 months after installation, we will repair or exchange the part in question free of charge. Faulty items become our property.

We do not grant warranty for faults caused by:

unsuitable or improper use; incorrect assembly; installation started and/or completed by a non-qualified plumber, natural wear out, improper or careless treatment, lack of maintenance; unsuitable usage; chemical, electro-chemical or electrical influences.