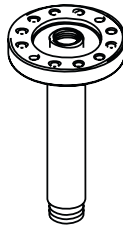
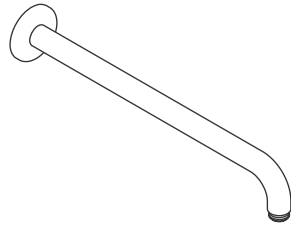
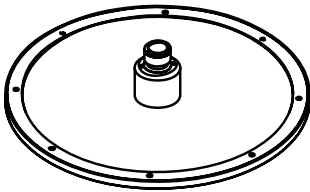


Installation Instructions / Warranty



Raindance Air Royale

28420001

Ceiling Arm

27418001

Shower Arm

27410001

hansgrohe



Ihr Online-Fachhändler für:

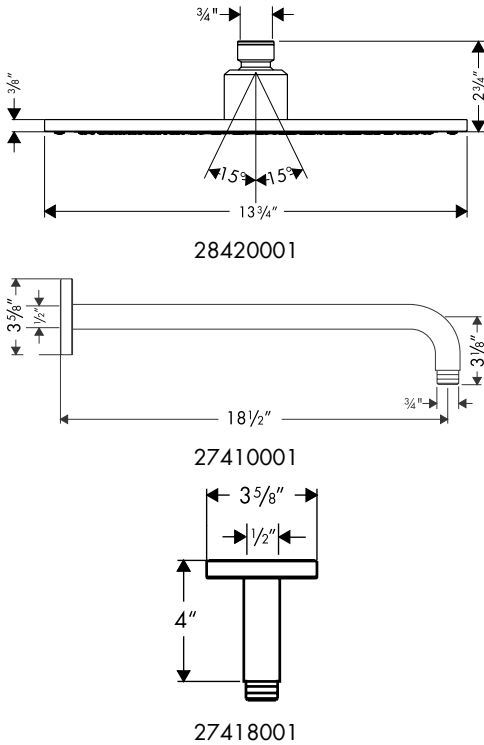
hansgrohe

- Kostenlose und individuelle Beratung
- Hochwertige Produkte
- Kostenloser und schneller Versand

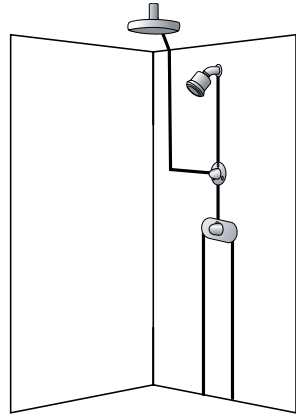
- TOP Bewertungen
- Exzelerter Kundenservice
- Über 20 Jahre Erfahrung



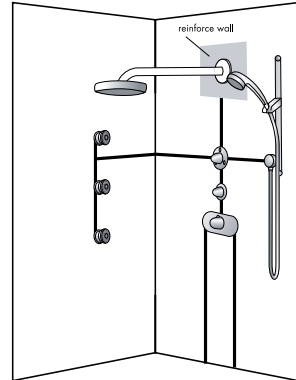
E-Mail: info@unidomo.de | Tel.: 04621 - 30 60 89 0 | www.unidomo.de



Suggested Layouts



Two-feature installation with Ecostat thermostatic mixer and Trio diverter.



Three-function shower with Ecostat thermostatic mixer, 3/4" volume control, and Quattro diverter.

Technical Information

Max. flow rate

2.5 gpm

Installation Considerations

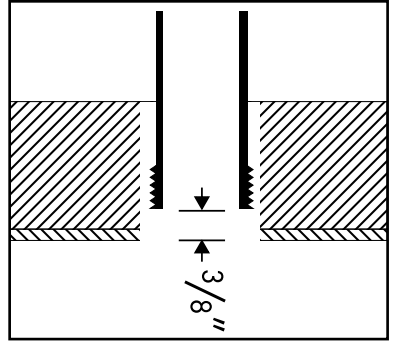
- For best results, Hansgrohe recommends that this unit be installed by a licensed, professional plumber.
- Please read over these instructions thoroughly before beginning installation. Make sure that you have all tools and supplies needed to complete the installation.
- The 27418001 showerarm requires a 1/2" NPT male nipple recessed 3/8" behind the finished surface of the ceiling.
- The 27410001 showerarm requires a 1/2" NPT male nipple extending 5/8" outside the surface of the finished wall.
- The showerhead / arm assembly weighs approximately 20 lbs.

- The enclosed hardware is intended for use on a solid surface only.
- To prevent scald injury, the maximum output temperature of the shower valve should be no higher than 120° F. In Massachusetts, the maximum output temperature of the shower valve can be no higher than 112° F.
- Keep this booklet and the receipt (or other proof of date and place of purchase) for this product in a safe place. The receipt is required should it be necessary to request warranty parts.

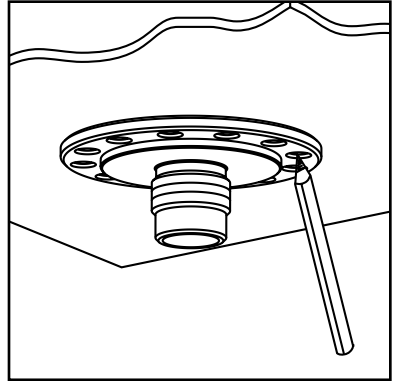
Installation

27418 only:

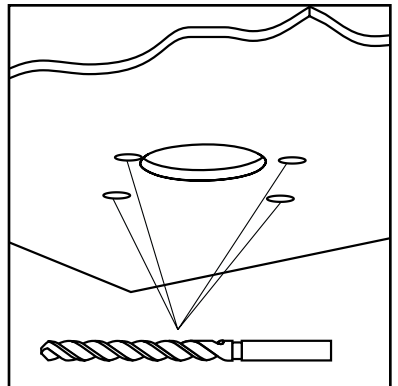
Install a 1/2" NPT male threaded nipple, recessed 3/8" behind the surface of the finished ceiling.



Using the mounting plate as a template, mark the positions for four screw holes.



Drill the holes with a 6mm bit.



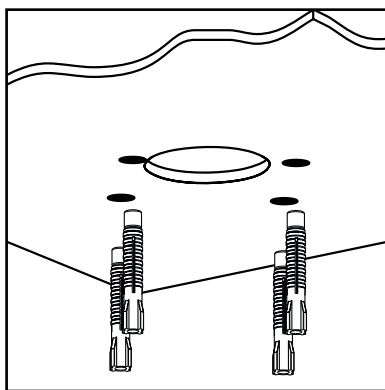
Install the anchors.



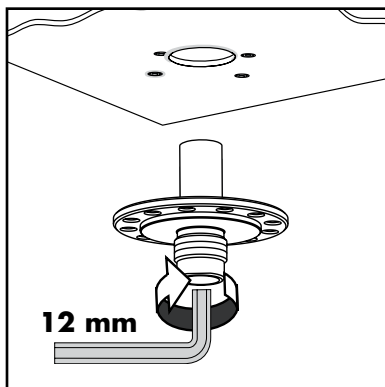
Seal the ceiling around the nipple and anchors with water-proof sealant.



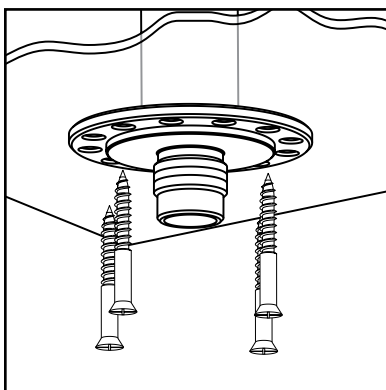
Failure to seal the ceiling can lead to possible water damage.



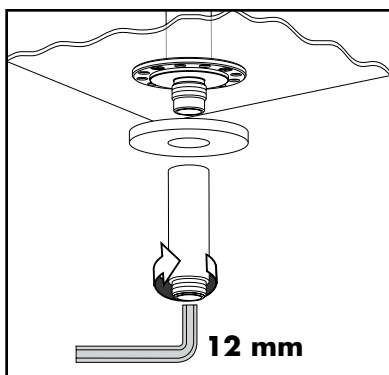
Install the mounting plate.



Secure the mounting plate to the ceiling with four screws.

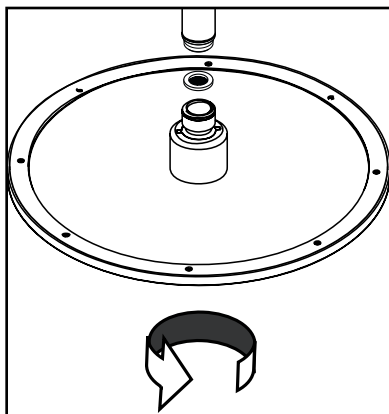


Install the trim plate and the arm.

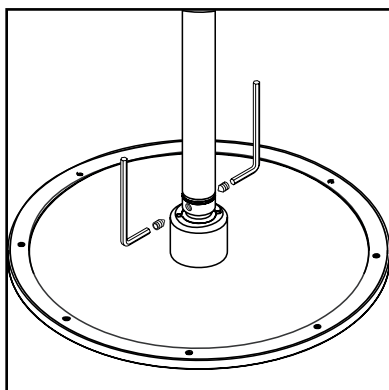


Install the showerhead.

! **The showerhead is heavy. Damage to the showerhead or to the shower enclosure caused by dropping the showerhead is not covered under the Hansgrohe warranty.**



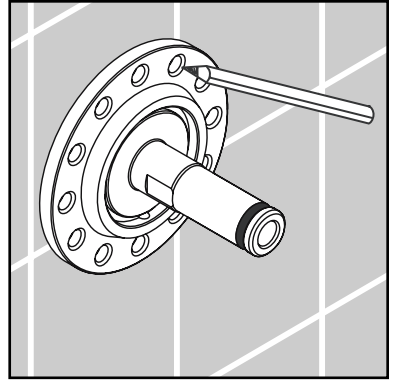
Tighten the safety screws using a 2 mm Allen wrench.



27410001 only:

Position the mounting piece over the nipple.

Mark the positions for four screw holes.



Drill the screw holes with a 6 mm drill bit suitable for the wall surface (1,2).



Do not drill into water line!

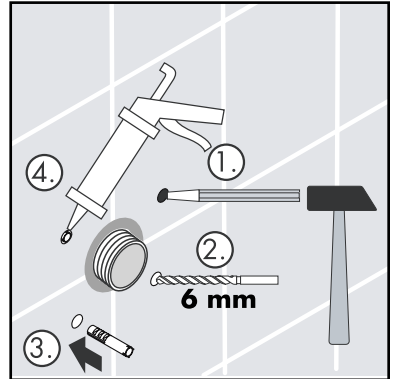
Install the anchors (3).



Seal the wall around the anchors with waterproof sealant.



Failure to seal the wall can lead to possible water damage.



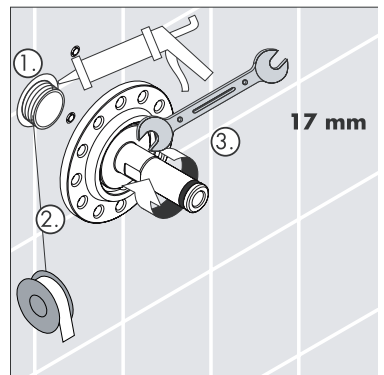
Seal the wall around the nipple with waterproof sealant (1).



Failure to seal the wall can lead to possible water damage.

Wrap the threads on the nipple with Teflon thread tape (2).

Install the mounting piece using a 17 mm wrench (3).

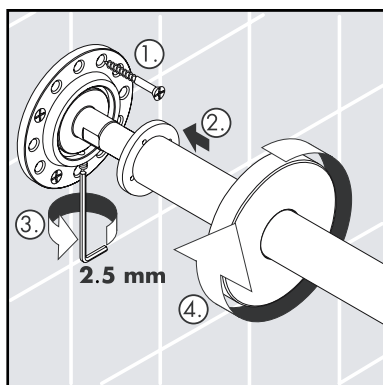


Secure the mounting piece to the wall with the four screws (1).

Position the shower arm over the mounting piece (2).

Tighten the set screw using a 2.5 mm allen wrench (3).

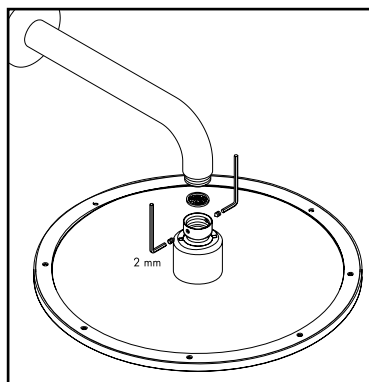
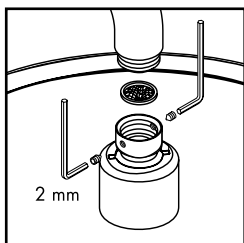
Thread the escutcheon over the mounting piece by turning it clockwise (4).



Install the showerhead on the arm.

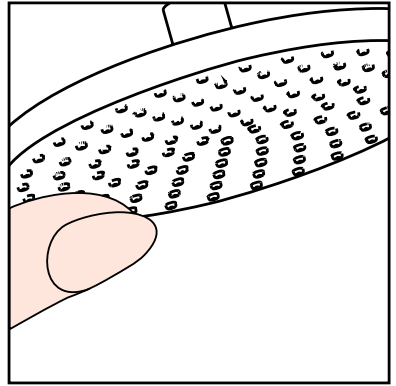
! **The showerhead is heavy. Damage to the showerhead or to the shower enclosure caused by dropping the showerhead is not covered under the Hansgrohe warranty.**

Tighten the safety screws using a 2 mm Allen wrench.



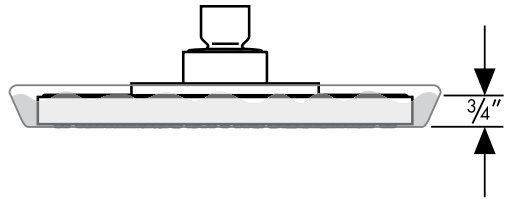
Cleaning Instructions

The spray channels are lined with a substance that resists scale buildup. If scale deposits are noticed in the spray channels, turn the water on lightly and rub across them with a finger or a sponge to dislodge the deposits.



If scale builds up on the spray face, pour about $\frac{3}{4}$ " of a commercial scale remover, such as Lime-Away™ or CLR™ into a shallow dish. Stand the showerhead in the solution for the time indicated in the label instructions.

Rinse the showerhead thoroughly with clear water before using.



Cleaning Recommendation for Hansgrohe Products

Modern lavatory faucets, kitchen faucets, and showers consist of very different materials to comply with the needs of the market with regard to design and functionality. To avoid damage and returns, it is necessary to consider certain criteria when cleaning.

Cleaning Materials for Faucets and Showers

Acids are a necessary ingredient of cleaning materials for removing lime, however please pay attention to the following points when cleaning faucets and showers:

- Only use cleaning materials which are explicitly intended for this type of application.
- Never use cleaning materials which contain hydrochloric, formic, phosphoric, or acetic acid, as they cause considerable damage.
- Never mix one cleaning material with another.
- Never use cleaning materials or appliances with an abrasive effect, such as unsuitable cleaning powders, sponge pads, or micro fiber cloths.

Cleaning Instructions for Faucets and Showers

Please follow the cleaning material manufacturer's instructions. In addition, pay attention to the following points:

- Clean the faucets and showers as and when required
- Use the amount of cleaning product and the amount of time recommended by the manufacturer. Do not leave the cleaner on the fixture longer than necessary.
- Regular cleaning can prevent calcification.
- When using spray cleaners, spray first onto a soft cloth or sponge. Never spray directly onto the faucet as droplets can enter openings and gaps and cause damage.
- After cleaning, rinse thoroughly with clean water to remove any cleaner residue.

Important

Residues of liquid soaps, shampoos, and shower foams can also cause damage, so rinse with clean water after using.

Please note: if the surface is already damaged, the effect of cleaning materials will cause further damage.

Components with damaged surfaces must be replaced or injury could result.

Damage caused by improper treatment is not covered under the warranty.

Limited Lifetime Consumer Warranty

This product has been manufactured and tested to the highest quality standards by Hansgrohe, Inc. ("Hansgrohe"). This warranty is limited to Hansgrohe products which are purchased by a consumer in the United States after March 1, 1996, and installed in either the United States or Canada.

WHO IS COVERED BY THE WARRANTY

This warranty extends to the original consumer purchaser only. This warranty is non-transferable.

WHAT IS COVERED BY THE WARRANTY

This warranty covers only your Hansgrohe manufactured product. Hansgrohe warrants this product against defects in material or workmanship as follows: Hansgrohe will repair at no charge for parts only or, at its option, replace any product or part of the product that proves defective because of improper workmanship and/or material, under normal installation, use, service and maintenance. If Hansgrohe is unable to provide a replacement and repair is not practical or cannot be timely made, Hansgrohe may elect to refund the purchase price in exchange for the return of the product.

LENGTH OF WARRANTY

Replacement or repaired parts of products will be covered for the term of this warranty as stated in the following two sentences. If you are a consumer who purchased the product for use primarily for personal, family, or household purposes, this warranty extends for as long as you own the product and the home in which the product is originally installed. If you purchased the product for use primarily for any other purpose, including, without limitation, a commercial purpose, this warranty extends only (i) for 1 year, with respect to Hansgrohe and Commercial products, and (ii) for 5 years, with respect to AXOR products.

THIS WARRANTY DOES NOT COVER, AND HANSGROHE WILL NOT PAY FOR:

- A. Conditions, malfunctions or damage not resulting from defects in material or workmanship.
- B. Conditions, malfunctions or damage resulting from (1) normal wear and tear, improper installation, improper maintenance, misuse, abuse, negligence, accident or alteration, or (2) the use of abrasive or caustic cleaning agents or "no-rinse" cleaning products, or the use of the product in any manner contrary to the product instructions. (3) Conditions in the home such as excessive water pressure or corrosion.
- C. Labor or other expenses for the disconnection, deinstallation, or return of the product for warranty service, or for installation or reinstallation of the product (including but not limited to proper packaging and shipping costs), or for installation or reinstallation of the product.
- D. Accessories, connected materials and products, or related products not manufactured by Hansgrohe.

TO OBTAIN WARRANTY PARTS OR INFORMATION

Contact your Hansgrohe retailer, or contact Technical Service at:

Hansgrohe Inc.
1492 Bluegrass Lakes Parkway
Alpharetta GA 30004
Toll-free (800) 334-0455.

In requesting warranty service, you will need to provide

1. The sales receipt or other evidence of the date and place of purchase.
2. A description of the problem.
3. Delivery of the product or the defective part, postage prepaid and carefully packed and insured, to Hansgrohe Inc. 1492 Bluegrass Lakes Parkway, Alpharetta, Georgia 30004, Attention: Technical Service, if required by Hansgrohe.

When warranty service is completed, any repaired or replacement product or part will be returned to you postage prepaid.

EXCLUSIONS AND LIMITATIONS

REPAIR OR REPLACEMENT (OR, IN LIMITED CIRCUMSTANCES, REFUND OF THE PURCHASE PRICE) AS PROVIDED UNDER THIS WARRANTY IS THE EXCLUSIVE REMEDY OF THE PURCHASER. HANSGROHE NEITHER ASSUMES NOR AUTHORIZES ANY PERSON TO CREATE FOR IT ANY OBLIGATION OR LIABILITY IN CONNECTION WITH THIS PRODUCT.

HANSGROHE SHALL NOT BE LIABLE TO PURCHASER OR ANY PERSON FOR ANY INCIDENTAL, SPECIAL, OR CONSEQUENTIAL DAMAGES, ARISING OUT OF BREACH OF THIS WARRANTY OR ANY IMPLIED WARRANTY (INCLUDING MERCHANTABILITY).

Some States do not allow the exclusion or limitation of incidental or consequential damages, so the above limitation or exclusion may not apply to you. This warranty gives you specific legal rights, and you may have other rights which vary from State to State. You may be required by law to give us a reasonable opportunity to correct or cure any failure to comply before you can bring any action in court against us under the Magnuson-Moss Warranty Act.

PRODUCT INSTRUCTIONS AND QUESTIONS

Upon purchase or prior to installation, please carefully inspect your Hansgrohe product for any damage or visible defect. Prior to installing, always carefully study the enclosed instructions on the proper installation and the care and maintenance of the product. If you have questions at any time about the use, installation, or performance of your Hansgrohe product, or this warranty, please call or write to us or call us toll-free at 800 334 0455.

hansgrohe

Hansgrohe, Inc. • 1490 Bluegrass Lakes Parkway • Alpharetta, GA 30004
Tel. 770-360-9880 • Fax 770-360-9887

www.hansgrohe-usa.com