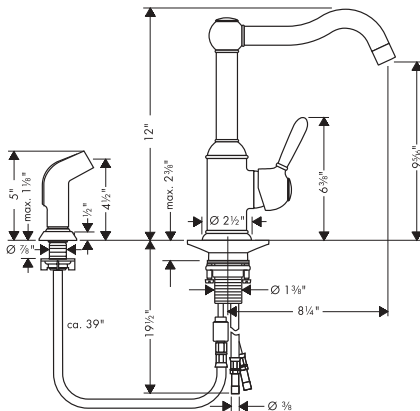
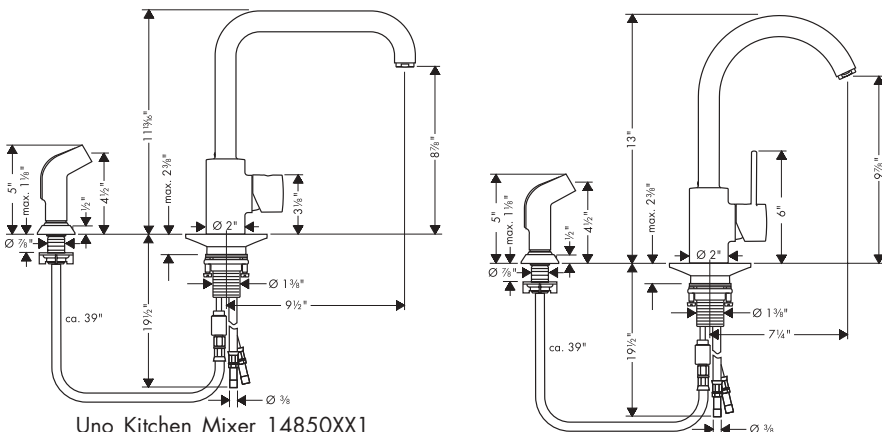


Installation Instructions / Warranty

hangrohe



Carlton Kitchen Mixer 14880XX1
Carlton Kitchen Mixer with Sidespray 14886XX1



Uno Kitchen Mixer 14850XX1
Uno Kitchen Mixer with Sidespray 14856001

Puro Kitchen Mixer 14870XX1
Puro Kitchen Mixer with Sidespray 14876XX1

AXOR®



Ihr Online-Fachhändler für:

hansgrohe

- Kostenlose und individuelle Beratung
- Hochwertige Produkte
- Kostenloser und schneller Versand

- TOP Bewertungen
- Exzelerter Kundenservice
- Über 20 Jahre Erfahrung



E-Mail: info@unidomo.de | Tel.: 04621 - 30 60 89 0 | www.unidomo.de

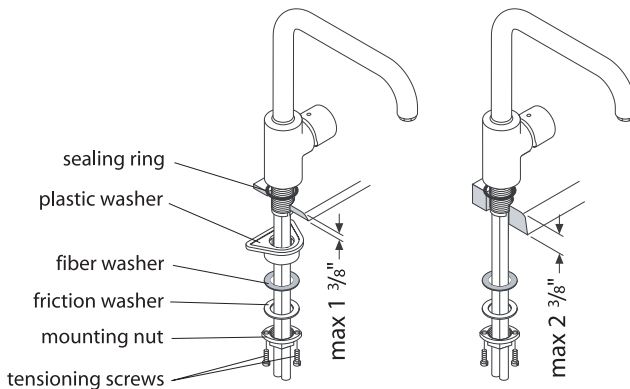
Product Specification

Recommended operating pressure	45 - 80 psi
Recommended hot water temperature	120° - 140° F*
Flow rate	2.2 gpm
Hole sizes	
Faucet	1 1/2"
Sidespray	1" min.
Maximum mounting surface thickness	
faucet	2 3/8"
sidespray	1 1/8"
Ceramic cartridge operation.	

*many municipalities have codes limiting the maximum temperature of the water heater to 120° F or below. Please know and follow all applicable local codes when setting the temperature of the water heater.

Installation Considerations

- For best results, Hansgrohe recommends installation by a licensed professional plumber.
- Large differences in pressure between the hot and cold supplies should be balanced.
- The supply lines should be flushed thoroughly prior to installation of this faucet. Damage caused by debris is not covered under the Hansgrohe warranty.
- The supply hoses on this faucet require an angle stop with a 3/8" compression fitting (not included).

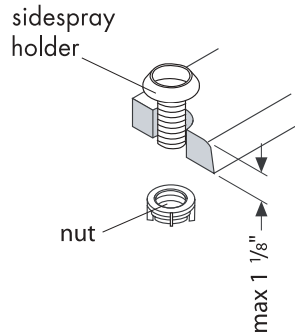


Install the faucet

- Leave the black sealing ring in place on the faucet. Remove the plastic washer, fiber washer, friction washer, and mounting nut from the faucet shank and place in a safe, convenient location.
- Feed the supply lines and faucet shank through the hole. From underneath the sink, install the plastic washer (if using), fiber washer, and friction washer. Thread on the mounting nut loosely.
- *If the total thickness of the mounting surface is greater than 1-3/8", or if there is insufficient space available, omit the plastic washer.*
- From above the sink, inspect the placement of the faucet. Reposition if necessary.
- When you are satisfied that everything is oriented properly, finish tightening the mounting nut. Tighten the tensioning screws.

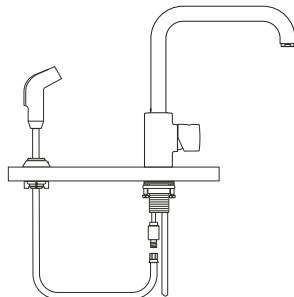
Install the sidespray holder (sidespray models only)

- From the top, place the sidespray holder in the hole.
- From below, tighten the nut.



Install the sidespray (sidespray models only)

- From above, thread the handspray hose through the handspray holder.
- Remove the plug from the bottom port on the faucet. Screw the hose to the port finger tight, then give a final 1/2 turn with a wrench.



Complete the Installation

- Attach the hot and cold supply lines to the angle stops with 3/8" compression fittings (not included).
- Turn on the water and check all connections for leaks.

Using the Faucet

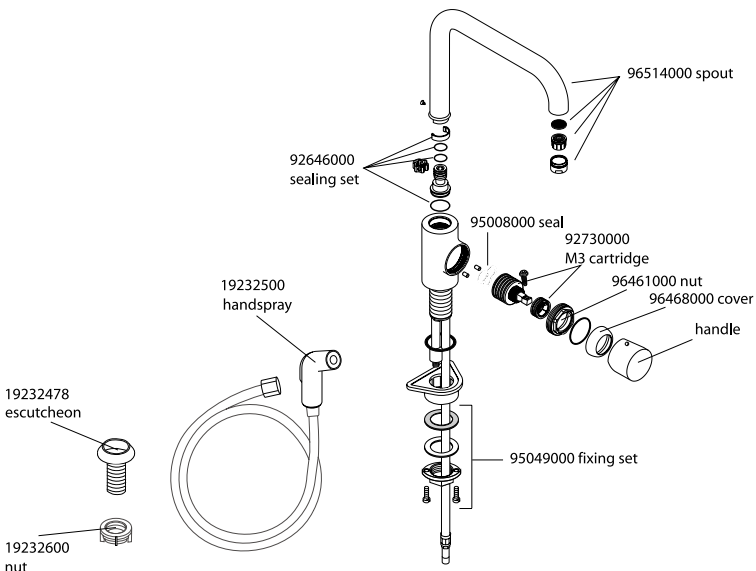
- Pivot the handle to the front for cold water, to the back for hot water.

Using the Sidespray

- With the faucet turned on, pull the sidespray out of its holder. Press and hold the trigger on the back of the sidespray.

Troubleshooting

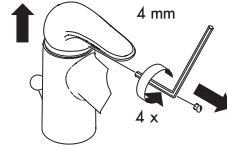
Problem	Possible Cause	Solution
too little water	debris in aerator	remove and clean aerator
handle hard to turn	debris in cartridge	remove and flush cartridge, replace if necessary
faucet drips	debris in cartridge	remove and flush cartridge, replace if necessary
faucet continues to drip after cartridge is replaced	seal damaged	replace 95008000 seal
too little hot water	high temperature limit stop set incorrectly	reset high temperature limit stop



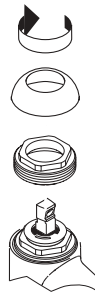
Re-set the high temperature limit stop (optional)

- Close the supply stops.
- Close the drain or cover it with a cloth. Gently pry off the screw cover. Put it aside in a safe place.

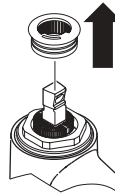
- Use a 4mm hex wrench to loosen the handle screw (4 revolutions). Remove the handle.



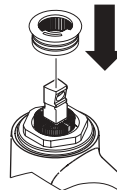
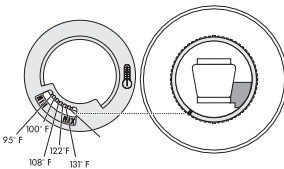
- Remove the decorative nut cover and the nut.
- Remove the handle screw from the stem of the cartridge.



- Remove the high temperature limit stop.



- Replace the high temperature limit stop so that the pin is in the desired notch. The temperatures marked on the diagram assume an incoming hot water temperature of 140° F and an incoming cold water temperature of 50° F, and a water pressure of 45 psi.



- Replace the nut, cover, handle screw, and handle.

Cleaning Recommendation for Hansgrohe Products

Modern faucetry and shower products utilize a combination of materials to comply with the needs of the market with regard to design and functionality.

To avoid damage, it is necessary to use some caution when cleaning. Damage caused by improper treatment is not covered under the Hansgrohe warranty.

Cleaning Materials for Faucets and Showers

- To remove lime scale, use only products made specifically for that purpose. Always follow the manufacturer's instructions when using.
- Do not use cleaners that contain hydrochloric, formic, acetic, or phosphoric acids, as these will cause considerable damage to finishes and to plastic components.
- Never mix cleaning materials.
- Never use cleaners containing abrasives. Do not use abrasive cleaning cloths, pads, or sponges.

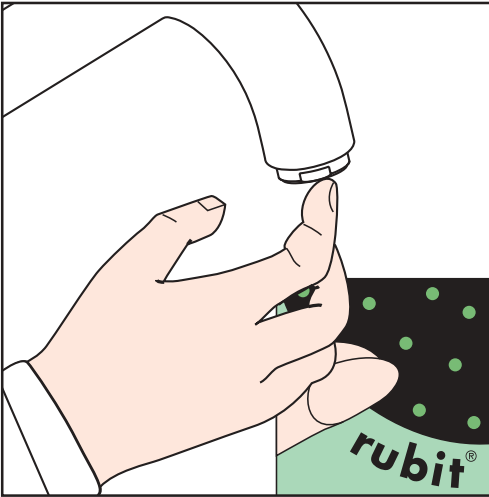
Cleaning Procedures

- Clean your faucets and shower products as and when required. Regular cleaning will prevent scale buildup and water spotting.
- Follow the label instructions. Do not allow any cleaner to remain on the product for longer than necessary.
- When using spray cleaners, spray first onto a sponge or cloth – do not spray directly onto the product.
- After cleaning, rinse thoroughly with clear water to remove any cleaner residue.

Important

- Soap and shampoo residue can also cause damage to the product. Rinse well with clean water after use.
- If the surface is already damaged, harsh cleaning materials will cause further damage.

The rubit cleaning function only needs a small manual rubover to remove the lime scale from the spray channels.



Hansgrohe Consumer Warranty

Hansgrohe products are manufactured and tested to the highest quality standards. Hansgrohe, Inc. warrants to the original consumer that its products will be free from defects of workmanship and materials for as long as the original consumer owns the home in which the products are installed. Accessories or parts of products manufactured by others are warranted only for the period and to the extent of the original manufacturer's warranty.

This warranty applies only to products purchased for consumer use. Products purchased for commercial, industrial or business use are covered under a separate one-year warranty. **This warranty does not cover installation or any other labor charges associated with the repair or reinstallation of Hansgrohe products. This express warranty does not apply to products that have been damaged due to misuse, abuse, negligence, accident, faulty installation, use of abrasive or caustic cleaners, poor maintenance practices or use in any manner contrary to the written instructions provided.**

Hansgrohe, Inc. will repair or replace, at its option, free of charge during the warranty period, any part which proves to be defective in material and/or workmanship under normal installation, use, service and maintenance. If Hansgrohe, Inc. is unable to provide a replacement and repair is not practical or cannot be made in a timely manner, Hansgrohe, Inc. will refund the purchase price in exchange for return of the product. THIS REMEDY IS THE SOLE AND EXCLUSIVE REMEDY TO THE PURCHASER FOR THE BREACH OF ANY WARRANTIES OR NEGLIGENCE BY HANSGROHE, INC.

For assistance, simply notify your Hansgrohe dealer or write to: Customer Service, Hansgrohe, Inc., 1490 Bluegrass Lakes Pkwy, Alpharetta, GA 30004. Include the original receipt with a description of problem, model number and your name and address. Hansgrohe may, at its option, require you to send the defective part of the product prepaid for inspection prior to replacement.

This warranty is limited to the above; and this warranty and any warranties implied by state law, including the implied warranty of merchantability, apply only to products purchased after March 1, 1996. This warranty gives you specific legal rights; you may also have other rights which vary from state to state. Unless otherwise contrary to state law governing the purchase, Hansgrohe, Inc. liability will not exceed the contract price for the product claimed to be defective or unsuitable and is applicable only to products purchased through Hansgrohe, Inc. and installed in the United States or Canada.